

# zeybek® elektrik

electric  
panels l.v

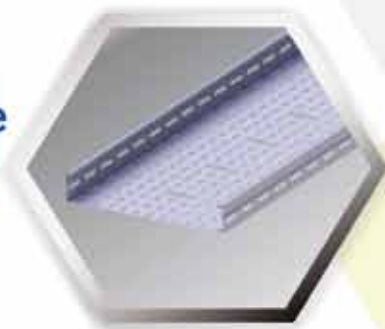


electric  
conduit  
systems



**BESTRACK**  
19" rack cabinets

metal cable  
trays and  
supports



pvc cable  
trunking



Product Catalog





**BESTRACK**®

19" Rack Cabinets

Product Catalog

Established in 1982 for to product metal junction boxes, electricity meter-hour bases named "Zeybek Elektrik" in the past 10 years experienced at 1992 has development in the sector market requirements, company started client's need to product PLS PE Electric Inst.Conduits and injection accessories and L.V. Electric Dist. Panel.

At 2002 the company expanded its machinery parking with more modern and last technologic development equipment in Ankara İvedik Ind. Zone to produce metal cable trays&accessories.Also installed a painting unit in this factory. For this reason Zeybek Labeled got the client's happiness and preferable trade marks in this market.

At 2010, The company has got the to expand strategy according to the market needs they build a modern factory with their equity capital moved Ankara/Sincan 1.Ind Zone. Turkey Located. The aim of the Co. Is "For development of the country to realize must be "Local Production" means more R&D , innovation, Market Research and with all unit of the Zeybek Co. Almost 115 experienced workers with all production under 13 000 m<sup>2</sup> covered area in the Factory.

about us

The all production device each of them unit products are as;

- Metal Cable Trays Systems
- L.V. Electric Panels (empty or mounted )
- Electric conduit systems
- 19" rack Cabinets (BestRack registered marked)
- PVC Cable Trunking

All kinds of products above mentioned complied with the current Tech. Specs. And related standard TS-EN-ISO certifications completed also quality assurances.

## **Vision**

All our products and services and also working sections in the Country and outside of the country projects we will be solve the problem as a partner and we must be preferable, favored Co. And Trade Mark.

## **Mision**

According to the developing technology we will be continuous equality, high-work, ethics and customer satisfaction, continuous services non-stop R&D, Inovation, Training, Environment and Competitive Product policy are our misions.



# Contents

## ELECTRIC CONDUIT SYSTEMS

## PAGE

|  |       |
|--|-------|
| PE HF Non Flame Propagating Pipes .....                    | 08    |
| PE HF Flame Propagating Pipes .....                        | 09    |
| PE Black Pipes .....                                       | 10    |
| PE HF Flame Propagating Rigid Pipes .....                  | 11    |
| PE HF Non Flame Propagating Rigid Pipes .....              | 12    |
| PVC Non Flame Propagating Rigid Pipes .....                | 13    |
| HF Non Flame Propagating Accessories .....                 | 14-17 |
| HF Spirals (Non Flame Propagating) .....                   | 18    |
| HF Spirals (Flame Propagating) .....                       | 19    |
| Plastic Spirals .....                                      | 19    |
| Steel Spirals .....  | 20    |
| PVC Insulated Steel Spirals .....                          | 21    |
| HDPE Double Wall Corrugated Cable Ducting Systems .....    | 22-23 |
| Underground Junction Boxes .....                           | 24-25 |
| HF Plastic Casing and Junction Boxes .....                 | 26    |
| HF Flame Reterdant Plastic Casing and Junction Boxes ..... | 27    |
| Combination Box and Thermoplastic Junction Boxes .....     | 28    |
| Lighting Group .....                                       | 29    |
| Flush Mounted Fuse Boxes .....                             | 30    |
| Surface Mounted Fuse Boxes .....                           | 31    |
| ABS HF Plastic Panels .....                                | 32    |
| Galvanized Steel Conduit Systems .....                     | 33    |
| Galvanized Steel Conduit Systems Accessories .....         | 34-37 |

## PVC CABLE TRUNKING

|   |       |
|---|-------|
| 100*50 mm Inside Locking Cover Trunking.....        | 38    |
| 100*50 mm Inside Locking Trunking Accessories ..... | 38-41 |
| PVC Cable Trunking .....                            | 42-43 |
| Self Adhesive PVC Cable Trunking .....              | 44-45 |

## METAL CABLE TRAYS AND SUPPORTS

### » Normal Type Cable Trays »

|   |       |
|---|-------|
| Formed Cable Trays H:40 mm .....        | 46    |
| Normal Type Cable Trays H:40 mm .....   | 47    |
| Normal Type Cable Trays H:50 mm .....   | 48    |
| Normal Type Cable Trays H:60 mm .....   | 49    |
| Horizontal Bends 90° .....              | 50    |
| Horizontal Tees .....                   | 51    |
| Horizontal Crossing .....               | 52    |
| Reducing Angles .....                   | 53    |
| Internal And External Bends .....       | 54    |
| Horizontal Bends 135° .....             | 55    |
| Vertical Tees.....                      | 56    |
| Normal Type Cable Tray Accessories..... | 57    |
| Trays Covers.....                       | 58-59 |

### » Cable Tray For Pole » 60

### » Heavy Duty Cable Trays »

|                                     |    |
|-------------------------------------|----|
| Heavy Duty Cable Trays H:40 mm..... | 61 |
| Heavy Duty Cable Trays H:50 mm..... | 62 |
| Heavy Duty Cable Trays H:60 mm..... | 63 |
| Horizontal Bends 90° .....          | 64 |
| Horizontal Tees .....               | 65 |
| Horizontal Crossing .....           | 66 |
| Reducing Angles .....               | 67 |
| Internal And External Bends .....   | 68 |

### » Cable Tray Non-Perforated »

|   |    |
|---|----|
| Cable Tray Non-Perforated H:40 mm ..... | 70 |
| Cable Tray Non-Perforated H:50 mm.....  | 71 |
| Cable Tray Non-Perforated H:60 mm ..... | 72 |
| Horizontal Bends 90°.....               | 73 |
| Horizontal Tees .....                   | 74 |
| Horizontal Crossing .....               | 75 |
| Reducing Angles .....                   | 76 |
| Internal and External Bends.....        | 77 |

## Cable Ladders

|                                 |    |
|---------------------------------|----|
| Cable Ladders H:50 mm.....      | 79 |
| Cable Ladders H:60 mm.....      | 80 |
| Cable Ladders H:100 mm.....     | 81 |
| Horizontal Bends 90°.....       | 82 |
| Horizontal Tees.....            | 83 |
| Horizontal Crossing.....        | 84 |
| Reducing Angles.....            | 85 |
| Internal And External Bend..... | 86 |
| Cable Ladders Accessories.....  | 87 |

## Under Floor Cable Trays

|  |    |
|--|----|
| Under Floor Cable Trays H:30 mm.....     | 88 |
| Under Floor Cable Trays H:40 mm.....     | 98 |
| Under Floor Cable Trays Accessories..... | 89 |

## Support Systems

|   |         |
|---|---------|
| I Supports.....   | 91-92   |
| Hanging Supports (Ceiling).....                         | 93      |
| I Support For Wall.....                                 | 94-95   |
| T Supports.....   | 96      |
| T Hanging Supports (Ceiling).....                       | 97      |
| I-T Brackets.....                                       | 97      |
| L Supports.....   | 98-99   |
| Ceiling Support Bar.....                                | 99      |
| U Supports.....   | 100-102 |
| U Supports With Ceiling Unit.....                       | 101     |
| U Brackets.....   | 102     |
| Head Plates For U Supports.....                         | 102     |
| Tray Carries With Threaded Rod.....                     | 103-104 |
| C Type Support.....                                     | 105     |
| U Type Bolt-nuts Supports.....                          | 106     |
| Wall Bracket.....                                       | 107-108 |
| Welded Wall Bracked.....                                | 108     |
| C Profiles.....   | 109     |
| Trays Rising Brackets.....                              | 110     |
| Threaded Rods, Pin And Steel Dowel Bolt,Nut,Washer..... | 111     |
| Technical Data.....                                     | 112-113 |

## 19' RACK CABINETS

### 19" Gold Line Standing Type Rack Cabinets

|   |     |
|---|-----|
| 800*1000 mm Gold Line Server Type Rack Cabinets.....  | 120 |
| 600*1000 mm Gold Line Server Type Rack Cabinets.....  | 121 |
| 600*600 mm Gold Line Standing Type Rack Cabinets..... | 122 |
| 600*800 mm Gold Line Standing Type Rack Cabinets..... | 123 |
| 800*800 mm Gold Line Standing Type Rack Cabinets..... | 124 |

### 19" Silver Line Standing Type Rack Cabinets

|  |     |
|--|-----|
| 800*1000 mm Silver Line Server Type Rack Cabinets..... | 130 |
|--|-----|



|   |     |
|---|-----|
| 600*1000 mm Silver Line Server Type Rack Cabinets ..... | 131 |
| 600*600 mm Silver Line Standing Type Rack Cabinets..... | 132 |
| 600*800 mm Silver Line Standing Type Rack Cabinets..... | 133 |
| 800*800 mm Silver Line Standing Type Rack Cabinets..... | 134 |
| 800*600 mm Silver Line Standing Type Rack Cabinets..... | 135 |

## » 19" Rack Cabinets Accessories »

|   |         |
|---|---------|
| Shelves.....  | 136     |
| Cooling Fan Units.....  | 137     |
| Power Distribution Units.....   | 138-139 |
| Horizontal Cable Organizers, Blanking Panels, Vertical Cable Organizers ..... | 140     |
| Mounting Verticals, Vertical Cable Trays Metal, Equipment Supports .....      | 141     |
| Levelling Feet ,Castors , Mounting Accessories.....                           | 142     |
| Ground Connection- Earth quake Set.....                                       | 142     |
| Base Modules, Lighting Modules.....   | 142     |

## » Open Frame Rack Cabinets » 143

## » 19" IP Class Outdoor Type Rack Cabinets » 144

|  |     |
|--|-----|
| 600*450 mm Outdoor Type Rack Cabinets..... | 146 |
| 600*600 mm Outdoor Type Rack Cabinets..... | 147 |

## » 19" Outdoor Type Rack Cabinets Accessories » 148-150

## » IP 65/66 Mobese Pole Type Cabinets » 151

## » 19" Wall-Mount Type Rack Cabinets » 152

## » 19" Gold Line Wall-Mount Type Rack Cabinets » 154

|  |     |
|--|-----|
| 600*560 mm Gold Line Wall-Mount Type Rack Cabinets ..... | 155 |
| 600*450 mm Gold Line Wall-Mount Type Rack Cabinets ..... | 155 |

## » 19" Silver Line Wall-Mount Type Rack Cabinets » 156

|   |     |
|---|-----|
| 600*450 mm Silver Line Wall-Mount Type Rack Cabinets..... | 157 |
| 600*560 mm Silver Line Wall-Mount Type Rack Cabinets..... | 157 |

## » 19' Eco Wall Mount Type Rack Cabinets »

|  |         |
|--|---------|
| 19' Eco Wall Mount Type Rack Cabinets .....    | 158-159 |
| Junior Line Wall Mount Type Rack Cabinets..... | 160     |
| Fiber Patch Panels .....                       | 161     |

## ELECTRIC PANELS L.V

|   |         |
|---|---------|
| Standing Modular Electric Panels (L.V).....   | 162-165 |
| Outdoor Standing Panels.....                  | 166-167 |
| Flushwall Dist. Panels.....                   | 168-169 |
| Wall Mount Dist.Panels.....                   | 170-171 |
| Standing Modular Electric Meters Panels ..... | 172-173 |
| Control And Command (Pult) Panels.....        | 174     |

|                           |                |
|---------------------------|----------------|
| <b>Certificates .....</b> | <b>175-176</b> |
|---------------------------|----------------|

## PE HALOGEN FREE NON FLAME PROPAGATING PIPES



### Technical Specifications

|                                   |                                 |
|-----------------------------------|---------------------------------|
| <b>Standard</b>                   | : TS EN 61386-22                |
| <b>Material</b>                   | : Polyethylene                  |
| <b>Compressive Strenght</b>       | : 320 Newton Light Duty Class 2 |
| <b>Impact Strenght</b>            | : 2 kg / 100 mm Class 3         |
| <b>Min. Operation Temperature</b> | : -15 °C Class 3                |
| <b>Max. Operation Temperature</b> | : 60 °C Class 1                 |
| <b>Color Option</b>               |                                 |

### LIGHT DUTY 320 N 2331

### TS EN 61386-22

| Order Code | Product Name                                | Dia (mm) | Outer Dia (mm)     | Inner Dia (mm) | Package (m) |
|------------|---|----------|--------------------|----------------|-------------|
| ZB.MK.16/6 | 16 mm H.F Non Flame Propagating Pipes 320 N | 16       | 16 <sup>-0.3</sup> | 13             | 100         |
| ZB.MK.20/6 | 20 mm H.F Non Flame Propagating Pipes 320 N | 20       | 20 <sup>-0.3</sup> | 17             | 100         |
| ZB.MK.25/6 | 25 mm H.F Non Flame Propagating Pipes 320 N | 25       | 25 <sup>-0.4</sup> | 21             | 100         |
| ZB.MK.32/6 | 32 mm H.F Non Flame Propagating Pipes 320 N | 32       | 32 <sup>-0.4</sup> | 27             | 100         |
| ZB.MK.40/6 | 40 mm H.F Non Flame Propagating Pipes 320 N | 40       | 40 <sup>-0.4</sup> | 35             | 100         |
| ZB.MK.50/6 | 50 mm H.F Non Flame Propagating Pipes 320 N | 50       | 50 <sup>-0.5</sup> | 44             | 100         |
| ZB.MK.63/6 | 63 mm H.F Non Flame Propagating Pipes 320 N | 63       | 63 <sup>-0.6</sup> | 56             | 50          |
| ZB.MK.75/6 | 75 mm H.F Non Flame Propagating Pipes 320 N | 75       | 75 <sup>-0.6</sup> | 68             | 50          |



### Technical Specifications

|                                   |                                  |
|-----------------------------------|----------------------------------|
| <b>Standard</b>                   | : TS EN 61386-22                 |
| <b>Material</b>                   | : Polyethylene                   |
| <b>Compressive Strenght</b>       | : 750 Newton Medium Duty Class 3 |
| <b>Impact Strenght</b>            | : 2 kg / 100 mm Class 3          |
| <b>Min. Operation Temperature</b> | : -15 °C Class 3                 |
| <b>Max. Operation Temperature</b> | : 60 °C Class 1                  |
| <b>Color Option</b>               |                                  |

### MEDIUM DUTY 750 N 3331

### TS EN 61386-22

| Order Code  | Product Name                                | Dia (mm) | Outer Dia (mm)     | Inner Dia (mm) | Package (m) |
|-------------|---|----------|--------------------|----------------|-------------|
| ZB.MK.16/10 | 16 mm H.F Non Flame Propagating Pipes 750 N | 16       | 16 <sup>-0.3</sup> | 12             | 100         |
| ZB.MK.20/10 | 20 mm H.F Non Flame Propagating Pipes 750 N | 20       | 20 <sup>-0.3</sup> | 16             | 100         |
| ZB.MK.25/10 | 25 mm H.F Non Flame Propagating Pipes 750 N | 25       | 25 <sup>-0.4</sup> | 20             | 100         |
| ZB.MK.32/10 | 32 mm H.F Non Flame Propagating Pipes 750 N | 32       | 32 <sup>-0.4</sup> | 26             | 100         |
| ZB.MK.40/10 | 40 mm H.F Non Flame Propagating Pipes 750 N | 40       | 40 <sup>-0.4</sup> | 33             | 100         |
| ZB.MK.50/10 | 50 mm H.F Non Flame Propagating Pipes 750 N | 50       | 50 <sup>-0.5</sup> | 42             | 100         |
| ZB.MK.63/10 | 63 mm H.F Non Flame Propagating Pipes 750 N | 63       | 63 <sup>-0.6</sup> | 54             | 50          |
| ZB.MK.75/10 | 75 mm H.F Non Flame Propagating Pipes 750 N | 75       | 75 <sup>-0.6</sup> | 65             | 50          |

## PE HALOGEN FREE FLAME PROPAGATING PIPES



### Technical Specifications

|                                   |                                 |
|-----------------------------------|---------------------------------|
| <b>Standard</b>                   | : TS EN 61386-22                |
| <b>Material</b>                   | Polyethylene                    |
| <b>Compressive Strength</b>       | : 320 Newton Light Duty Class 2 |
| <b>Impact Strength</b>            | : 2 kg / 100 mm Class 3         |
| <b>Min. Operation Temperature</b> | : -15 °C Class 3                |
| <b>Max. Operation Temperature</b> | : 60 °C Class 1                 |
| <b>Color Option</b>               |                                 |

### LIGHT DUTY 320 N 2331

### TS EN 61386-22

| Order Code | Product Name                      | Dia (mm) | Outer Dia (mm)     | Inner Dia (mm) | Package (m) |
|------------|-----------------------------------|----------|--------------------|----------------|-------------|
| ZB.TK.16/6 | 16 mm H.F Flame Propagating 320 N | 16       | 16 <sup>-0.3</sup> | 13             | 100         |
| ZB.TK.20/6 | 20 mm H.F Flame Propagating 320 N | 20       | 20 <sup>-0.3</sup> | 17             | 100         |
| ZB.TK.25/6 | 25 mm H.F Flame Propagating 320 N | 25       | 25 <sup>-0.4</sup> | 21             | 100         |
| ZB.TK.32/6 | 32 mm H.F Flame Propagating 320 N | 32       | 32 <sup>-0.4</sup> | 27             | 100         |
| ZB.TK.40/6 | 40 mm H.F Flame Propagating 320 N | 40       | 40 <sup>-0.4</sup> | 35             | 100         |
| ZB.TK.50/6 | 50 mm H.F Flame Propagating 320 N | 50       | 50 <sup>-0.5</sup> | 44             | 100         |
| ZB.TK.63/6 | 63 mm H.F Flame Propagating 320 N | 63       | 63 <sup>-0.6</sup> | 56             | 50          |
| ZB.TK.75/6 | 75 mm H.F Flame Propagating 320 N | 75       | 75 <sup>-0.6</sup> | 68             | 50          |



### Technical Specifications

|                                   |                                  |
|-----------------------------------|----------------------------------|
| <b>Standard</b>                   | : TS EN 61386-22                 |
| <b>Material</b>                   | : Polietilen / Polyethylene      |
| <b>Compressive Strength</b>       | : 750 Newton Medium Duty Class 3 |
| <b>Impact Strength</b>            | : 2 kg / 100 mm Class 3          |
| <b>Min. Operation Temperature</b> | : -15 °C Class 3                 |
| <b>Max. Operation Temperature</b> | : 60 °C Class 1                  |
| <b>Color Option</b>               |                                  |

### MEDIUM DUTY 750 N 3331

### TS EN 61386-22

| Order Code  | Product Name                      | Dia (mm) | Outer Dia (mm)     | Inner Dia (mm) | Package (m) |
|-------------|-----------------------------------|----------|--------------------|----------------|-------------|
| ZB.TK.16/10 | 16 mm H.F Flame Propagating 750 N | 16       | 16 <sup>-0.3</sup> | 12             | 100         |
| ZB.TK.20/10 | 20 mm H.F Flame Propagating 750 N | 20       | 20 <sup>-0.3</sup> | 16             | 100         |
| ZB.TK.25/10 | 25 mm H.F Flame Propagating 750 N | 25       | 25 <sup>-0.4</sup> | 20             | 100         |
| ZB.TK.32/10 | 32 mm H.F Flame Propagating 750 N | 32       | 32 <sup>-0.4</sup> | 26             | 100         |
| ZB.TK.40/10 | 40 mm H.F Flame Propagating 750 N | 40       | 40 <sup>-0.4</sup> | 33             | 100         |
| ZB.TK.50/10 | 50 mm H.F Flame Propagating 750 N | 50       | 50 <sup>-0.5</sup> | 42             | 100         |
| ZB.TK.63/10 | 63 mm H.F Flame Propagating 750 N | 63       | 63 <sup>-0.6</sup> | 54             | 50          |
| ZB.TK.75/10 | 75 mm H.F Flame Propagating 750 N | 75       | 75 <sup>-0.6</sup> | 65             | 50          |

## PE BLACK PIPES



### LIGHT DUTY

| Order Code  | Product Name             | Dia (mm) | Outer Dia (mm)      | Inner Dia (mm) | Package (m) |
|-------------|--------------------------|----------|---------------------|----------------|-------------|
| ZB.SK.14/6  | 14 mm Black Pipes 320 N  | 14       | 14 <sup>-0.3</sup>  | 11,2           | 100         |
| ZB.SK.16/6  | 16 mm Black Pipes 320 N  | 16       | 16 <sup>-0.3</sup>  | 13             | 100         |
| ZB.SK.18/6  | 18 mm Black Pipes 320 N  | 18       | 18 <sup>-0.3</sup>  | 18             | 100         |
| ZB.SK.20/6  | 20 mm Black Pipes 320 N  | 20       | 20 <sup>-0.3</sup>  | 16,6           | 100         |
| ZB.SK.25/6  | 25 mm Black Pipes 320 N  | 25       | 25 <sup>-0.4</sup>  | 21,4           | 100         |
| ZB.SK.32/6  | 32 mm Black Pipes 320 N  | 32       | 32 <sup>-0.4</sup>  | 27,8           | 100         |
| ZB.SK.40/6  | 40 mm Black Pipes 320 N  | 40       | 40 <sup>-0.4</sup>  | 35 0           | 100         |
| ZB.SK.50/6  | 50 mm Black Pipes 320 N  | 50       | 50 <sup>-0.5</sup>  | 45             | 100         |
| ZB.SK.63/6  | 63 mm Black Pipes 320 N  | 63       | 63 <sup>-0.6</sup>  | 57             | 50          |
| ZB.SK.70/6  | 70 mm Black Pipes 320 N  | 70       | 70 <sup>-0.6</sup>  | 63             | 50          |
| ZB.SK.75/6  | 75 mm Black Pipes 320 N  | 75       | 75 <sup>-0.6</sup>  | 69             | 50          |
| ZB.SK.90/6  | 90 mm Black Pipes 320 N  | 90       | 90 <sup>-0.7</sup>  | 83             | 50          |
| ZB.SK.100/6 | 100 mm Black Pipes 320 N | 100      | 100 <sup>-0.7</sup> | 93             | 50          |



### MEDIUM DUTY

| Order Code   | Product Name             | Dia (mm) | Outer Dia (mm)      | Inner Dia (mm) | Package (m) |
|--------------|--------------------------|----------|---------------------|----------------|-------------|
| ZB.SK.14/10  | 14 mm Black Pipes 750 N  | 14       | 14 <sup>-0.3</sup>  | 10,8           | 100         |
| ZB.SK.16/10  | 16 mm Black Pipes 750 N  | 16       | 16 <sup>-0.3</sup>  | 12,4           | 100         |
| ZB.SK.18/10  | 18 mm Black Pipes 750 N  | 18       | 18 <sup>-0.3</sup>  | 14,2           | 100         |
| ZB.SK.20/10  | 20 mm Black Pipes 750 N  | 20       | 20 <sup>-0.3</sup>  | 16             | 100         |
| ZB.SK.25/10  | 25 mm Black Pipes 750 N  | 25       | 25 <sup>-0.4</sup>  | 20,1           | 100         |
| ZB.SK.32/10  | 32 mm Black Pipes 750 N  | 32       | 32 <sup>-0.4</sup>  | 25,4           | 100         |
| ZB.SK.40/10  | 40 mm Black Pipes 750 N  | 40       | 40 <sup>-0.4</sup>  | 32,6           | 100         |
| ZB.SK.50/10  | 50 mm Black Pipes 750 N  | 50       | 50 <sup>-0.5</sup>  | 42 0           | 100         |
| ZB.SK.63/10  | 63 mm Black Pipes 750 N  | 63       | 63 <sup>-0.6</sup>  | 54,4           | 50          |
| ZB.SK.70/10  | 70 mm Black Pipes 750 N  | 70       | 70 <sup>-0.6</sup>  | 60,7           | 50          |
| ZB.SK.75/10  | 75 mm Black Pipes 750 N  | 75       | 75 <sup>-0.6</sup>  | 67             | 50          |
| ZB.SK.90/10  | 90 mm Black Pipes 750 N  | 90       | 90 <sup>-0.7</sup>  | 80             | 50          |
| ZB.SK.100/10 | 100 mm Black Pipes 750 N | 100      | 100 <sup>-0.7</sup> | 90             | 50          |

## PE HALOGEN FREE FLAME PROPAGATING RIGID PIPES



### Technical Specifications

|                                   |                                 |
|-----------------------------------|---------------------------------|
| <b>Standard</b>                   | : TS EN 61386-21                |
| <b>Material</b>                   | : Polyethylene                  |
| <b>Compressive Strength</b>       | : 320 Newton Light Duty Class 2 |
| <b>Impact Strength</b>            | : 2 kg / 100 mm Class 3         |
| <b>Min. Operation Temperature</b> | : -15 °C Class 3                |
| <b>Max. Operation Temperature</b> | : 60 °C Class 1                 |

### LIGHT DUTY

### TS EN 61386-21

| Order Code        | Product Name                                     | Dia (mm) | Outer Dia (mm)     | Inner Dia (mm) | Package (m) |
|-------------------|--|----------|--------------------|----------------|-------------|
| <b>ZB.DB.16/6</b> | 16 mm H.F Flame Propagating Rigid Pipe 3 m 320 N | 16       | 16 <sup>-0.3</sup> | 13,6           | 102         |
| <b>ZB.DB.20/6</b> | 20 mm H.F Flame Propagating Rigid Pipe 3 m 320 N | 20       | 20 <sup>-0.3</sup> | 17,3           | 102         |
| <b>ZB.DB.25/6</b> | 25 mm H.F Flame Propagating Rigid Pipe 3 m 320 N | 25       | 25 <sup>-0.4</sup> | 22,25          | 51          |
| <b>ZB.DB.32/6</b> | 32 mm H.F Flame Propagating Rigid Pipe 3 m 320 N | 32       | 32 <sup>-0.4</sup> | 29             | 51          |



### Technical Specifications

|                                   |                                  |
|-----------------------------------|----------------------------------|
| <b>Standard</b>                   | : TS EN 61386-21                 |
| <b>Material</b>                   | : Polyethylene                   |
| <b>Compressive Strength</b>       | : 750 Newton Medium Duty Class 3 |
| <b>Impact Strength</b>            | : 2 kg / 100 mm Class 3          |
| <b>Min. Operation Temperature</b> | : -15 °C Class 3                 |
| <b>Max. Operation Temperature</b> | : 60 °C Class 1                  |

### MEDIUM DUTY

### TS EN 61386-21

| Order Code         | Product Name                                     | Dia (mm) | Outer Dia (mm)     | Inner Dia (mm) | Package (m) |
|--------------------|--|----------|--------------------|----------------|-------------|
| <b>ZB.DB.16/10</b> | 16 mm H.F Flame Propagating Rigid Pipe 3 m 750 N | 16       | 16 <sup>-0.3</sup> | 13             | 102         |
| <b>ZB.DB.20/10</b> | 20 mm H.F Flame Propagating Rigid Pipe 3 m 750 N | 20       | 20 <sup>-0.3</sup> | 17             | 102         |
| <b>ZB.DB.25/10</b> | 25 mm H.F Flame Propagating Rigid Pipe 3 m 750 N | 25       | 25 <sup>-0.4</sup> | 21,4           | 51          |
| <b>ZB.DB.32/10</b> | 32 mm H.F Flame Propagating Rigid Pipe 3 m 750 N | 32       | 32 <sup>-0.4</sup> | 28,5           | 51          |

## PE HALOGEN FREE NON FLAME PROPAGATING RIGID PIPES



### Technical Specifications

|                                   |                                 |
|-----------------------------------|---------------------------------|
| <b>Standard</b>                   | : TS EN 61386-21                |
| <b>Material</b>                   | : Polyethylene                  |
| <b>Compressive Strength</b>       | : 320 Newton Light Duty Class 2 |
| <b>Impact Strength</b>            | : 2 kg / 100 mm Class 3         |
| <b>Min. Operation Temperature</b> | : -15 °C Class 3                |
| <b>Max. Operation Temperature</b> | : 60 °C Class 1                 |

### LIGHT DUTY

### TS EN 61386-21

| Order Code  | Product Name   | Dia (mm) | Outer Dia (mm)     | Inner Dia (mm) | Package (m) |
|-------------|--|----------|--------------------|----------------|-------------|
| ZB.DBY.16/6 | 16 mm H.F Non Flame Propagating Rigid Pipe 3 m 320 N | 16       | 16 <sup>-0.3</sup> | 13,6           | 102         |
| ZB.DBY.20/6 | 20 mm H.F Non Flame Propagating Rigid Pipe 3 m 320 N | 20       | 20 <sup>-0.3</sup> | 17,3           | 102         |
| ZB.DBY.25/6 | 25 mm H.F Non Flame Propagating Rigid Pipe 3 m 320 N | 25       | 25 <sup>-0.4</sup> | 22,25          | 51          |
| ZB.DBY.32/6 | 32 mm H.F Non Flame Propagating Rigid Pipe 3 m 320 N | 32       | 32 <sup>-0.4</sup> | 29             | 51          |



### Technical Specifications

|                                   |                                  |
|-----------------------------------|----------------------------------|
| <b>Standard</b>                   | : TS EN 61386-21                 |
| <b>Material</b>                   | : Polyethylene                   |
| <b>Compressive Strength</b>       | : 750 Newton Medium Duty Class 3 |
| <b>Impact Strength</b>            | : 2 kg / 100 mm Class 3          |
| <b>Min. Operation Temperature</b> | : -15 °C Class 3                 |
| <b>Max. Operation Temperature</b> | : 60 °C Class 1                  |

### MEDIUM DUTY

### TS EN 61386-21

| Order Code   | Product Name   | Dia (mm) | Outer Dia (mm)     | Inner Dia (mm) | Package (m) |
|--------------|--|----------|--------------------|----------------|-------------|
| ZB.DBY.16/10 | 16 mm H.F Non Flame Propagating Rigid Pipe 3 m 750 N | 16       | 16 <sup>-0.3</sup> | 13             | 102         |
| ZB.DBY.20/10 | 20 mm H.F Non Flame Propagating Rigid Pipe 3 m 750 N | 20       | 20 <sup>-0.3</sup> | 17             | 102         |
| ZB.DBY.25/10 | 25 mm H.F Non Flame Propagating Rigid Pipe 3 m 750 N | 25       | 25 <sup>-0.4</sup> | 21,4           | 51          |
| ZB.DBY.32/10 | 32 mm H.F Non Flame Propagating Rigid Pipe 3 m 750 N | 32       | 32 <sup>-0.4</sup> | 28,5           | 51          |

## PVC NON FLAME PROPAGATING RIGID PIPES



### Technical Specifications

|                                   |                                 |
|-----------------------------------|---------------------------------|
| <b>Standard</b>                   | : TS EN 61386-21                |
| <b>Material</b>                   | : PVC                           |
| <b>Compressive Strength</b>       | : 320 Newton Light Duty Class 2 |
| <b>Impact Strength</b>            | : 2 kg / 100 mm Class 3         |
| <b>Min. Operation Temperature</b> | : -15 °C Class 3                |
| <b>Max. Operation Temperature</b> | : 60 °C Class 1                 |

### LIGHT DUTY

### TS EN 61386-21

| Order Code        | Product Name  | Dia (mm) | Outer Dia (mm)     | Inner Dia (mm) | Package (m) |
|-------------------|---|----------|--------------------|----------------|-------------|
| <b>ZB.PB.16/6</b> | 16 mm PVC Non Flame Propagating Rigid Pipes 3 m 320 N | 16       | 16 <sup>-0.3</sup> | 13,6           | 102         |
| <b>ZB.PB.20/6</b> | 20 mm PVC Non Flame Propagating Rigid Pipes 3 m 320 N | 20       | 20 <sup>-0.3</sup> | 17,3           | 102         |
| <b>ZB.PB.25/6</b> | 25 mm PVC Non Flame Propagating Rigid Pipes 3 m 320 N | 25       | 25 <sup>-0.4</sup> | 22,25          | 51          |
| <b>ZB.PB.32/6</b> | 32 mm PVC Non Flame Propagating Rigid Pipes 3 m 320 N | 32       | 32 <sup>-0.4</sup> | 29             | 51          |



### Technical Specifications

|                                   |                                  |
|-----------------------------------|----------------------------------|
| <b>Standard</b>                   | : TS EN 61386-21                 |
| <b>Material</b>                   | : PVC                            |
| <b>Compressive Strength</b>       | : 750 Newton Medium Duty Class 3 |
| <b>Impact Strength</b>            | : 2 kg / 100 mm Class 3          |
| <b>Min. Operation Temperature</b> | : -15 °C Class 3                 |
| <b>Max. Operation Temperature</b> | : 60 °C Class 1                  |

### MEDIUM DUTY

### TS EN 61386-21

| Order Code         | Product Name  | Dia (mm) | Outer Dia (mm)     | Inner Dia (mm) | Package (m) |
|--------------------|---|----------|--------------------|----------------|-------------|
| <b>ZB.PB.16/10</b> | 16 mm PVC Non Flame Propagating Rigid Pipes 3 m 750 N | 16       | 16 <sup>-0.3</sup> | 13             | 102         |
| <b>ZB.PB.20/10</b> | 20 mm PVC Non Flame Propagating Rigid Pipes 3 m 750 N | 20       | 20 <sup>-0.3</sup> | 17             | 102         |
| <b>ZB.PB.25/10</b> | 25 mm PVC Non Flame Propagating Rigid Pipes 3 m 750 N | 25       | 25 <sup>-0.4</sup> | 21,4           | 51          |
| <b>ZB.PB.32/10</b> | 32 mm PVC Non Flame Propagating Rigid Pipes 3 m 750 N | 32       | 32 <sup>-0.4</sup> | 28,5           | 51          |

## HALOGEN FREE NON FLAME PROPAGATING RIGID PIPES ACCESSORIES



### RIGID CONDUIT COUPLING

| Order Code       | Product Name                 | Package (piece) |
|------------------|------------------------------|-----------------|
| <b>ZB.PB.161</b> | 16 mm Rigid Conduit Coupling | 100             |
| <b>ZB.PB.201</b> | 20 mm Rigid Conduit Coupling | 100             |
| <b>ZB.PB.251</b> | 25 mm Rigid Conduit Coupling | 100             |
| <b>ZB.PB.321</b> | 32 mm Rigid Conduit Coupling | 50              |



### 90° BEND

| Order Code       | Product Name | Package (piece) |
|------------------|--------------|-----------------|
| <b>ZB.PB.162</b> | 16 mm Bend   | 100             |
| <b>ZB.PB.202</b> | 20 mm Bend   | 100             |
| <b>ZB.PB.252</b> | 25 mm Bend   | 50              |
| <b>ZB.PB.322</b> | 32 mm Bend   | 25              |

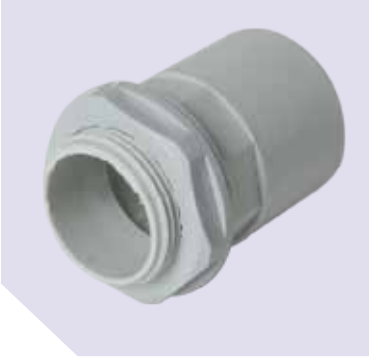


### T BEND

| Order Code       | Product Name | Package (piece) |
|------------------|--------------|-----------------|
| <b>ZB.PB.163</b> | 16 mm T Bend | 100             |
| <b>ZB.PB.203</b> | 20 mm T Bend | 100             |
| <b>ZB.PB.253</b> | 25 mm T Bend | 100             |
| <b>ZB.PB.323</b> | 32 mm T Bend | 50              |

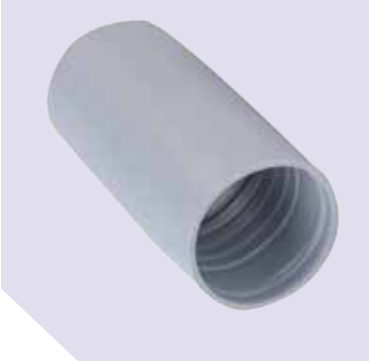


## HALOGEN FREE NON FLAME PROPAGATING RIGID PIPES ACCESSORIES



### RIGID CONDUIT ADAPTOR

| Order Code       | Product Name                | Package (piece) |
|------------------|-----------------------------|-----------------|
| <b>ZB.PB.164</b> | 16 mm Rigid Conduit Adaptor | 100             |
| <b>ZB.PB.204</b> | 20 mm Rigid Conduit Adaptor | 100             |
| <b>ZB.PB.254</b> | 25 mm Rigid Conduit Adaptor | 100             |
| <b>ZB.PB.324</b> | 32 mm Rigid Conduit Adaptor | 50              |



### CORRUGATED-RIGID COUPLING

| Order Code        | Product Name                      | Package (piece) |
|-------------------|-----------------------------------|-----------------|
| <b>ZB.PB.1611</b> | 16 mm Corrugated - Rigid Coupling | 100             |
| <b>ZB.PB.2011</b> | 20 mm Corrugated - Rigid Coupling | 100             |
| <b>ZB.PB.2511</b> | 25 mm Corrugated - Rigid Coupling | 100             |
| <b>ZB.PB.3211</b> | 32 mm Corrugated - Rigid Coupling | 100             |



### CORRUGATED CONDUIT ADAPTOR

| Order Code       | Product Name                     | Package (piece) |
|------------------|----------------------------------|-----------------|
| <b>ZB.PB.167</b> | 16 mm Corrugated Conduit Adaptor | 100             |
| <b>ZB.PB.207</b> | 20 mm Corrugated Conduit Adaptor | 100             |
| <b>ZB.PB.257</b> | 25 mm Corrugated Conduit Adaptor | 100             |
| <b>ZB.PB.327</b> | 32 mm Corrugated Conduit Adaptor | 50              |

## HALOGEN FREE NON FLAME PROPAGATING RIGID PIPES ACCESSORIES



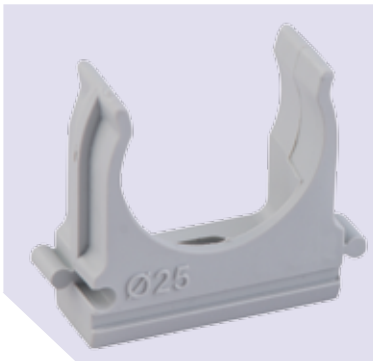
### LOCKED CONDUIT SUPPORT

| Order Code       | Product Name                 | Package (piece) |
|------------------|------------------------------|-----------------|
| <b>ZB.PB.165</b> | 16 mm Locked Conduit Support | 100             |
| <b>ZB.PB.205</b> | 20 mm Locked Conduit Support | 100             |
| <b>ZB.PB.255</b> | 25 mm Locked Conduit Support | 100             |
| <b>ZB.PB.325</b> | 32 mm Locked Conduit Support | 50              |



### DOWEL PIN CLIP

| Order Code       | Product Name         | Package (piece) |
|------------------|----------------------|-----------------|
| <b>ZB.PB.166</b> | 16 mm Dowel Pin Clip | 100             |
| <b>ZB.PB.206</b> | 20 mm Dowel Pin Clip | 100             |
| <b>ZB.PB.256</b> | 25 mm Dowel Pin Clip | 100             |
| <b>ZB.PB.326</b> | 32 mm Dowel Pin Clip | 100             |



### CONDUIT SUPPORT

| Order Code       | Product Name          | Package (piece) |
|------------------|-----------------------|-----------------|
| <b>ZB.PB.168</b> | 16 mm Conduit Support | 100             |
| <b>ZB.PB.208</b> | 20 mm Conduit Support | 100             |
| <b>ZB.PB.258</b> | 25 mm Conduit Support | 100             |
| <b>ZB.PB.328</b> | 32 mm Conduit Support | 50              |



## TWEEZERS CLIP

| Order Code | Product Name          | Package (piece) |
|------------|-----------------------|-----------------|
| ZB.PB.1610 | 3/13 mm Tweezers Clip | 500             |
| ZB.PB.2010 | 20 mm Tweezers Clip   | 500             |



## STICK CLIP

| Order Code | Product Name     | Package (piece) |
|------------|------------------|-----------------|
| ZB.PB.209  | 20 mm Stick Clip | 250             |
| ZB.PB.259  | 25 mm Stick Clip | 250             |

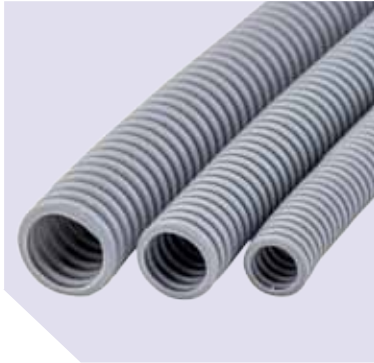
## HALOGEN FREE SPIRALS (NON FLAME PROPAGATING)



### Technical Specifications

|                                   |                               |
|-----------------------------------|-------------------------------|
| <b>Standard</b>                   | : TS EN 61386-22 / 08.11.2005 |
| <b>Certificate no</b>             | : 14.11.34 / TSE-63870        |
| <b>Material</b>                   | : Polyethylene                |
| <b>Compressive Strenght</b>       | : Light Class 2               |
| <b>Impact Strenght</b>            | : Medium Class 3              |
| <b>Min. Operation Temperature</b> | : -15 °C Class 3              |
| <b>Max. Operation Temperature</b> | : + 60 °C Class 1             |
| <b>Bending Strenght</b>           | : Flexible/Self Recovering    |

### PE HALOGEN FREE SPIRALS (NON FLAME PROPAGATING)



TS EN 61386-22

| Order Code | Product Name                              | Dia (mm) | Outer Dia (mm)     | Inner Dia (mm) | Package (m) |
|------------|---|----------|--------------------|----------------|-------------|
| ZB.SH1.16  | 16 mm H.F Spirals (Non Flame Propagating) | 16       | 16 <sup>-0.3</sup> | 11,5           | 100         |
| ZB.SH1.20  | 20 mm H.F Spirals (Non Flame Propagating) | 20       | 20 <sup>-0.3</sup> | 15             | 100         |
| ZB.SH1.25  | 25 mm H.F Spirals (Non Flame Propagating) | 25       | 25 <sup>-0.4</sup> | 19             | 100         |

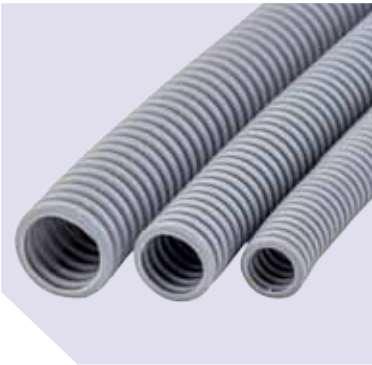
## HALOGEN FREE SPIRALS (FLAME PROPAGATING)



### Technical Specifications

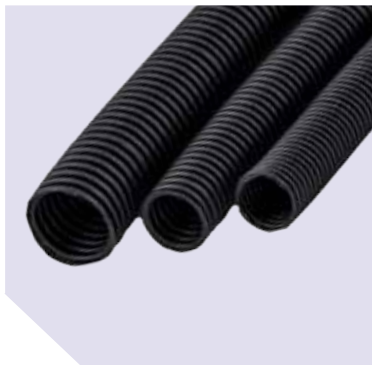
|                                   |                               |
|-----------------------------------|-------------------------------|
| <b>Standard</b>                   | : TS EN 61386-22 / 08.11.2005 |
| <b>Certificate no</b>             | : 14.11.34 / TSE-63870        |
| <b>Material</b>                   | : Polyethylene                |
| <b>Compressive Strenght</b>       | : Light Class 2               |
| <b>Impact Strenght</b>            | : Medium Class 3              |
| <b>Min. Operation Temperature</b> | : -15 °C Class 3              |
| <b>Max. Operation Temperature</b> | : + 60 °C Class 1             |
| <b>Bending Strenght</b>           | : Flexible/Self Recovering    |

### HALOGEN FREE SPIRALS (FLAME PROPAGATING)



TS EN 61386-22

| Order Code       | Product Name                          | Dia (mm) | Outer Dia (mm)     | Inner Dia (mm) | Package (m) |
|------------------|---------------------------------------|----------|--------------------|----------------|-------------|
| <b>ZB.SH2.16</b> | 16 mm H.F Spirals (Flame Propagating) | 16       | 16 <sup>-0.3</sup> | 11,5           | 100         |
| <b>ZB.SH2.20</b> | 20 mm H.F Spirals (Flame Propagating) | 20       | 20 <sup>-0.3</sup> | 15             | 100         |
| <b>ZB.SH2.25</b> | 25 mm H.F Spirals (Flame Propagating) | 25       | 25 <sup>-0.4</sup> | 19             | 100         |



### PLASTIC SPIRALS

| Order Code      | Product Name         | Dia (mm) | Package (m) |
|-----------------|----------------------|----------|-------------|
| <b>ZB.SB.14</b> | 14 mm Plastic Spiral | 14       | 100         |
| <b>ZB.SB.16</b> | 16 mm Plastic Spiral | 16       | 100         |
| <b>ZB.SB.18</b> | 18 mm Plastic Spiral | 18       | 50          |
| <b>ZB.SB.26</b> | 26 mm Plastic Spiral | 26       | 50          |
| <b>ZB.SB.32</b> | 32 mm Plastic Spiral | 32       | 50          |
| <b>ZB.SB.40</b> | 40 mm Plastic Spiral | 40       | 50          |

## STEEL SPIRALS



### Technical Specifications

|                                   |                               |
|-----------------------------------|-------------------------------|
| <b>Standard</b>                   | : TS EN 61386-22 / 08.11.2005 |
| <b>Certificate no</b>             | : 14.11.34 / TSE-63870        |
| <b>Material</b>                   | : Steel                       |
| <b>Compressive Strenght</b>       | : Light Class 2               |
| <b>Impact Strenght</b>            | : Medium Class 3              |
| <b>Min. Operation Temperature</b> | : -15 °C Class 3              |
| <b>Max. Operation Temperature</b> | : + 60 °C Class 1             |
| <b>Bending Strenght</b>           | : Flexible                    |



### STEEL SPIRALS

| Order Code       | Product Name        | Outer Dia (mm) | Inner Dia (mm) | Package (m) |
|------------------|---------------------|----------------|----------------|-------------|
| <b>ZB.CSB.11</b> | 11 mm Steel Spirals | 14,50          | 11,00          | 50          |
| <b>ZB.CSB.14</b> | 14 mm Steel Spirals | 17,50          | 14,00          | 50          |
| <b>ZB.CSB.16</b> | 16 mm Steel Spirals | 19,50          | 16,00          | 50          |
| <b>ZB.CSB.18</b> | 18 mm Steel Spirals | 21,50          | 18,00          | 50          |
| <b>ZB.CSB.26</b> | 26 mm Steel Spirals | 29,50          | 26,00          | 25          |
| <b>ZB.CSB.32</b> | 32 mm Steel Spirals | 35,50          | 32,00          | 25          |
| <b>ZB.CSB.37</b> | 37 mm Steel Spirals | 40,50          | 37,00          | 25          |



### STEEL SPIRALS WITH GUIDE WIRE

| Order Code        | Product Name                        | Outer Dia (mm) | Inner Dia (mm) | Package (m) |
|-------------------|-------------------------------------|----------------|----------------|-------------|
| <b>ZB.KCSB.11</b> | 11 mm Steel Spirals With Guide Wire | 14,50          | 11,00          | 50          |
| <b>ZB.KCSB.14</b> | 14 mm Steel Spirals With Guide Wire | 17,50          | 14,00          | 50          |
| <b>ZB.KCSB.16</b> | 16 mm Steel Spirals With Guide Wire | 19,50          | 16,00          | 50          |
| <b>ZB.KCSB.18</b> | 18 mm Steel Spirals With Guide Wire | 21,50          | 18,00          | 50          |
| <b>ZB.KCSB.26</b> | 26 mm Steel Spirals With Guide Wire | 29,50          | 26,00          | 25          |
| <b>ZB.KCSB.32</b> | 32 mm Steel Spirals With Guide Wire | 35,50          | 32,00          | 25          |
| <b>ZB.KCSB.37</b> | 37 mm Steel Spirals With Guide Wire | 40,50          | 37,00          | 25          |

## PVC INSULATED STEEL SPIRALS



### Technical Specifications

|                                   |                               |
|-----------------------------------|-------------------------------|
| <b>Standard</b>                   | : TS EN 61386-22 / 08.11.2005 |
| <b>Certificate no</b>             | : 14.11.34 / TSE-63870        |
| <b>Material</b>                   | : Steel                       |
| <b>Compressive Strenght</b>       | : Light Class 2               |
| <b>Impact Strenght</b>            | : Medium Class 3              |
| <b>Min. Operation Temperature</b> | : -15 °C Class 3              |
| <b>Max. Operation Temperature</b> | : + 60 °C Class 1             |
| <b>Bending Strenght</b>           | : Flexible                    |



### PVC INSULATED STEEL SPIRALS

| Order Code        | Product Name                      | Outer Dia (mm) | Inner Dia (mm) | Package (m) |
|-------------------|-----------------------------------|----------------|----------------|-------------|
| <b>ZB.ICSB.11</b> | 11 mm PVC Insulated Steel Spirals | 15,50          | 11,00          | 50          |
| <b>ZB.ICSB.14</b> | 14 mm PVC Insulated Steel Spirals | 18,50          | 14,00          | 50          |
| <b>ZB.ICSB.16</b> | 16 mm PVC Insulated Steel Spirals | 20,50          | 16,00          | 50          |
| <b>ZB.ICSB.18</b> | 18 mm PVC Insulated Steel Spirals | 22,50          | 18,00          | 50          |
| <b>ZB.ICSB.26</b> | 26 mm PVC Insulated Steel Spirals | 30,50          | 26,00          | 25          |
| <b>ZB.ICSB.32</b> | 32 mm PVC Insulated Steel Spirals | 36,50          | 32,00          | 25          |
| <b>ZB.ICSB.37</b> | 37 mm PVC Insulated Steel Spirals | 41,50          | 37,00          | 25          |



### INSULATED STEEL SPIRALS WITH GUIDE WIRE

| Order Code         | Product Name                                  | Outer Dia (mm) | Inner Dia (mm) | Package (m) |
|--------------------|---|----------------|----------------|-------------|
| <b>ZB.KICSB.11</b> | 11 mm Insulated Steel Spirals With Guide Wire | 15,50          | 11,00          | 50          |
| <b>ZB.KICSB.14</b> | 14 mm Insulated Steel Spirals With Guide Wire | 18,50          | 14,00          | 50          |
| <b>ZB.KICSB.16</b> | 16 mm Insulated Steel Spirals With Guide Wire | 20,50          | 16,00          | 50          |
| <b>ZB.KICSB.18</b> | 18 mm Insulated Steel Spirals With Guide Wire | 22,50          | 18,00          | 50          |
| <b>ZB.KICSB.26</b> | 26 mm Insulated Steel Spirals With Guide Wire | 30,50          | 26,00          | 25          |
| <b>ZB.KICSB.32</b> | 32 mm Insulated Steel Spirals With Guide Wire | 36,50          | 32,00          | 25          |
| <b>ZB.KICSB.37</b> | 37 mm Insulated Steel Spirals With Guide Wire | 41,50          | 37,00          | 25          |

## HDPE DOUBLE WALL CORRUGATED CABLE DUCTING SYSTEMS



### Application Areas;

High density PE materials productions are must be double wall and especially used areas as telecommunication infrastructure and power lines underground for cable protection. For underground applications these type of pipes comply with the environmental conditions and also strengthing and flexible.

### Products Specifications;

It is light weight and easy to transport,easy to install

Economics

High compressive strenght

Ex-proof strenght comply

### Technical Specifications

|                             |  |
|-----------------------------|--|
| <b>Standard</b>             | : TS EN 61386-24 / 13.12.2011            |
| <b>Certificate No</b>       | : 003559                                 |
| <b>Material</b>             | : High density polyethylene (HDPE)       |
| <b>Compressive Strenght</b> | : TYPE 450                               |
| <b>Impact Strenght</b>      | : 3 kg / 400 mm / -5 C light L, normal N |

TS EN 61386-24 / 13.12.2011

### WALL CORRUGATED CABLE DUCTING SYSTEMS



| Order Code  | Product Name                                 | Outer Dia (mm) | Inner Dia (mm) | Package (m) |
|-------------|--|----------------|----------------|-------------|
| ZB.KB.110-S | 110 mm Wall Corrugated Cable Ducting Systems | 110            | 95             | 6           |
| ZB.KB.110   | 110 mm Wall Corrugated Cable Ducting Systems | 90             | 77             | 6           |
| ZB.KB.90    | 90 mm Wall Corrugated Cable Ducting Systems  | 90             | 77             | 6           |
| ZB.KB.75    | 75 mm Wall Corrugated Cable Ducting Systems  | 75             | 67             | 6           |
| ZB.KB.50    | 50 mm Wall Corrugated Cable Ducting Systems  | 50             | 43             | 6           |



## HDPE DOUBLE WALL CORRUGATED CABLE DUCTING SYSTEMS



### COUPLING

| Order Code  | Product Name          | Inner Dia (mm) |
|-------------|-----------------------|----------------|
| ZB.EK.110-S | 110 mm Coupling Black | 110            |
| ZB.EK.110   | 110 mm Coupling Blue  | 90             |
| ZB.EK.90    | 90 mm Coupling Blue   | 90             |
| ZB.EK.75    | 75 mm Coupling Blue   | 75             |
| ZB.EK.50    | 50 mm Coupling Blue   | 50             |



### SPACER

ORDER CODE : ZB.KBD.110

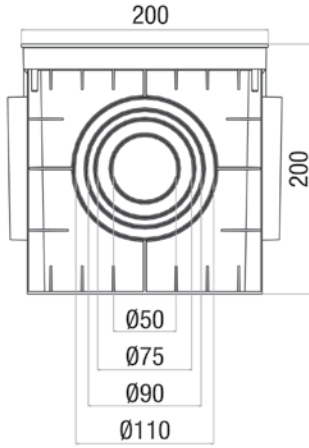


### PIPE STOPPER

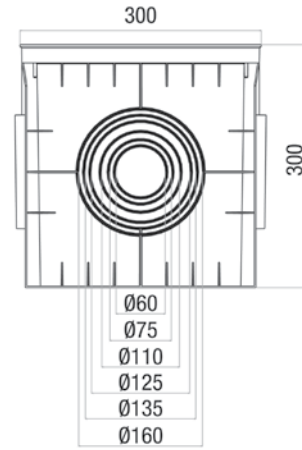
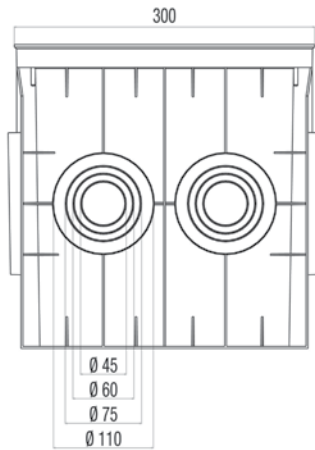
ORDER CODE : ZB.KBT.110



## UNDERGROUND JUNCTION BOXES



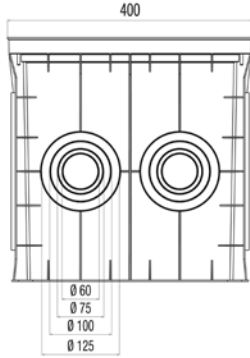
| Order Code | Product Name                      | Package (Piece) |
|------------|-----------------------------------|-----------------|
| ZEY.MEN020 | 20x20 cm Underground Junction Box | 1               |



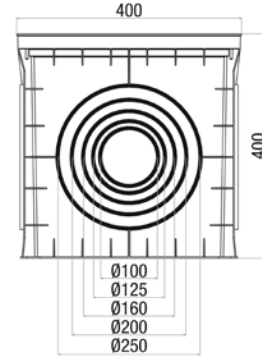
| Order Code | Product Name                                     | Package (Piece) |
|------------|--|-----------------|
| ZEY.MEN036 | 30x30 cm Underground Junction Box with 6 outlets | 1               |

| Order Code | Product Name                      | Package (piece/piece) |
|------------|-----------------------------------|-----------------------|
| ZEY.MEN030 | 30x30 cm Underground Junction Box | 1                     |

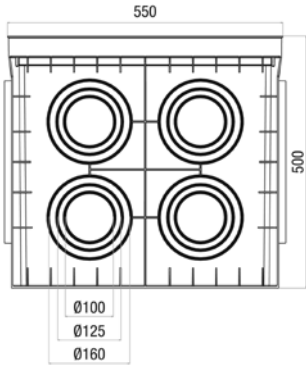
## UNDERGROUND JUNCTION BOXES



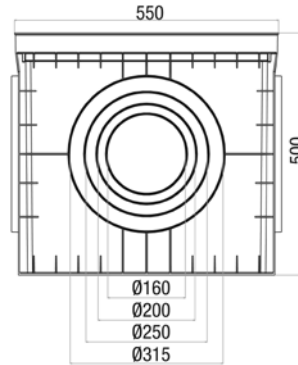
| Order Code        | Product Name                                     | Package (Piece) |
|-------------------|--|-----------------|
| <b>ZEY.MEN046</b> | 40x40 cm Underground Junction Box with 6 outlets | 1               |



| Order Code        | Product Name                      | Package (Piece) |
|-------------------|-----------------------------------|-----------------|
| <b>ZEY.MEN040</b> | 40x40 cm Underground Junction Box | 1               |



| Order Code         | Product Name                                      | Package (Piece) |
|--------------------|---|-----------------|
| <b>ZEY.MEN0510</b> | 55x55 cm Underground Junction Box with 10 outlets | 1               |



| Order Code        | Product Name                      | Package (Piece) |
|-------------------|-----------------------------------|-----------------|
| <b>ZEY.MEN055</b> | 55x55 cm Underground Junction Box | 1               |

# HALOGEN FREE PLASTIC CASING AND JUNCTION BOXES

TS EN 60670-22   



| Order Code | Product Name   | Package/Piece |
|------------|----------------|---------------|
| ZB.PM/1    | HF Norm Casing | 100           |



| Order Code | Product Name         | Package/Piece |
|------------|----------------------|---------------|
| ZB.PM/2    | HF Norm Junction Box | 100           |



| Order Code | Product Name          | Package/Piece |
|------------|-----------------------|---------------|
| ZB.PM/5    | HF Click - Fit Casing | 100           |



| Order Code | Product Name                           | Package/Piece |
|------------|--|---------------|
| ZB.PM/6-D  | HF Click - Fit Deep Casing (Wall type) | 100           |



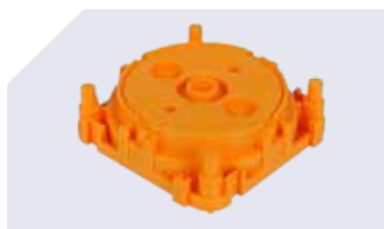
| Order Code | Product Name                               | Package/Piece |
|------------|--|---------------|
| ZB.PM/6-B  | HF Click - Fit Deep Casing (Concrete Type) | 100           |



| Order Code | Product Name                               | Package/Piece |
|------------|--|---------------|
| ZB.PM/14   | HF Die Fixing Tool Click - Fit Deep Casing | 100           |



| Order Code | Product Name  | Package Piece |
|------------|---------------|---------------|
| ZB.PM/13   | Plastic Cleat | 100           |



| Order Code | Product Name    | Package Piece |
|------------|-----------------|---------------|
| ZB.PM/16   | Die Fixing Tool | 100           |



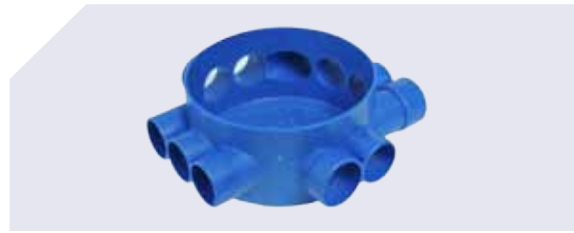
| Order Code | Product Name           | Package Piece |
|------------|------------------------|---------------|
| ZB.PM/10   | HF Tunnel Junction Box | 100           |

## HALOGEN FREE FLAME RETARDANT PLASTIC CASING AND JUNCTION BOXES

TS EN 60670-22



| Order Code | Product Name                   | Package/Piece |
|------------|--------------------------------|---------------|
| ZB.PM/1/0  | HF Flame Retardant Norm Casing | 100           |



| Order Code | Product Name                         | Package/Piece |
|------------|--------------------------------------|---------------|
| ZB.PM/2/0  | HF Flame Retardant Norm Junction Box | 100           |



| Order Code | Product Name                          | Package/Piece |
|------------|---------------------------------------|---------------|
| ZB.PM/5/0  | HF Flame Retardant Click - Fit Casing | 100           |



| Order Code  | Product Name   | Package/Piece |
|-------------|--|---------------|
| ZB.PM/6/0-D | HF Flame Retardant Click - Fit Deep Casing (Wall type) | 100           |



| Order Code  | Product Name   | Package/Piece |
|-------------|--|---------------|
| ZB.PM/6/0-B | HF Flame Retardant Click - Fit Deep Casing (Concrete Type) | 100           |



| Order Code | Product Name   | Package/Piece |
|------------|--|---------------|
| ZB.PM/15   | HF Flame Retardant Die Fixing Tool Click - Fit Deep Casing | 100           |



| Order Code | Product Name                     | Package/Piece |
|------------|----------------------------------|---------------|
| ZB.PM/13/0 | HF Flame Retardant Plastic Cleat | 100           |



| Order Code | Product Name                           | Package/Piece |
|------------|--|---------------|
| ZB.PM/10/0 | HF Flame Retardant Tunnel Junction Box | 100           |

## COMBINATION BOX and THERMOPLASTIC JUNCTION BOXES



| Order Code | Product Name    | Package Piece | Weight (kg) | M <sup>3</sup> Volume |
|------------|-----------------|---------------|-------------|-----------------------|
| ZB.PM.401  | Combination Box | 2/24          | 11,12       | 0,086                 |



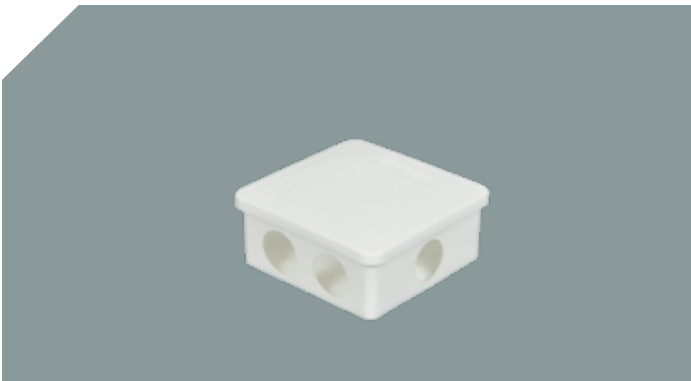
| Ürün Kodu<br>Order Code | Ürün İsmi<br>Product Name | Package Piece | Weight (kg) | M <sup>3</sup> Volume |
|-------------------------|---------------------------|---------------|-------------|-----------------------|
| ZB.PM.402               | Combination Box           | 1/12          | 10,42       | 0,101                 |



| Ürün Kodu<br>Order Code | Ürün İsmi<br>Product Name                   | Package Piece | Weight (kg) | M <sup>3</sup> Volume |
|-------------------------|---|---------------|-------------|-----------------------|
| ZB.PM/9                 | 110*110*74 mm<br>Thermoplastic Junction Box | 12/96         | 16,1        | 0,106                 |



| Ürün Kodu<br>Order Code | Ürün İsmi<br>Product Name                   | Package Piece | Weight (kg) | M <sup>3</sup> Volume |
|-------------------------|---|---------------|-------------|-----------------------|
| ZB.PM/11                | 210*120*74 mm<br>Thermoplastic Junction Box | 4/48          | 15,04       | 0,113                 |



| Ürün Kodu<br>Order Code | Ürün İsmi<br>Product Name                        | Package Piece | Weight (kg) | M <sup>3</sup> Volume |
|-------------------------|--|---------------|-------------|-----------------------|
| ZB.PM/8                 | 85*85*40 mm Square<br>Thermoplastic Junction Box | 20/240        | 12,3        | 0,081                 |



| Ürün Kodu<br>Order Code | Ürün İsmi<br>Product Name             | Package Piece | Weight (kg) | M <sup>3</sup> Volume |
|-------------------------|---------------------------------------|---------------|-------------|-----------------------|
| ZB.PM.101               | Surface Mounted<br>Fuse Box 1-2 Fuses | 20/240        | 15,08       | 0,125                 |

## LIGHTING GROUP



| Ürün Kodu<br>Order Code | Ürün İsmi<br>Product Name      | Package<br>Piece | Weight<br>(kg) | M <sup>3</sup><br>Volume |
|-------------------------|--------------------------------|------------------|----------------|--------------------------|
| ZB.PM.301               | Oval Antigron Lighting Fixture | 4/48             | 13,66          | 0,111                    |



| Ürün Kodu<br>Order Code | Ürün İsmi<br>Product Name | Package<br>Piece | Weight<br>(kg) | M <sup>3</sup><br>Volume |
|-------------------------|---------------------------|------------------|----------------|--------------------------|
| ZB.PM.302               | Papatya Wall Lamp         | 4/24             | 6,40           | 0,069                    |



| Ürün Kodu<br>Order Code | Ürün İsmi<br>Product Name             | Package<br>Piece | Weight<br>(kg) | M <sup>3</sup><br>Volume |
|-------------------------|---------------------------------------|------------------|----------------|--------------------------|
| ZB.PM.303               | Yıldız Ceiling Globe Lighting Fixture | 5/40             | 10,32          | 0,107                    |



| Ürün Kodu<br>Order Code | Ürün İsmi<br>Product Name          | Package<br>Piece | Weight<br>(kg) | M <sup>3</sup><br>Volume |
|-------------------------|------------------------------------|------------------|----------------|--------------------------|
| ZB.PM.304               | Mega Flat Ceiling Lighting Fixture | 4/32             | 11,52          | 0,126                    |



| Ürün Kodu<br>Order Code | Ürün İsmi<br>Product Name           | Package<br>Piece | Weight<br>(kg) | M <sup>3</sup><br>Volume |
|-------------------------|-------------------------------------|------------------|----------------|--------------------------|
| ZB.PM.305               | Sensor Globe Lighting Fixture 2xE27 | 10               | 12,66          | 0,117                    |



| Ürün Kodu<br>Order Code | Ürün İsmi<br>Product Name | Package<br>Piece | Weight<br>(kg) | M <sup>3</sup><br>Volume |
|-------------------------|---------------------------|------------------|----------------|--------------------------|
| ZB.PM.306               | Eylül Wall Lamp           | 4/24             | 12,74          | 0,110                    |

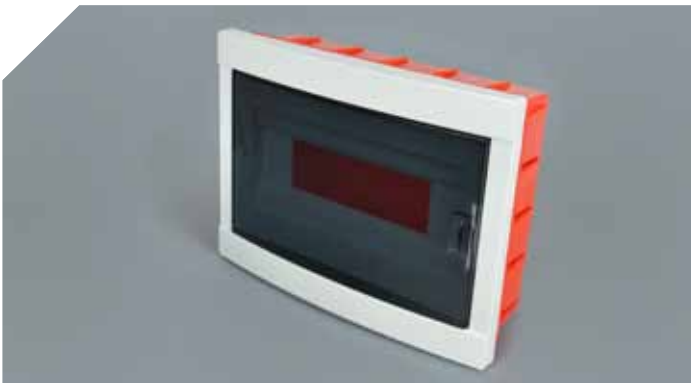
## FLUSH MOUNTED FUSE BOXES



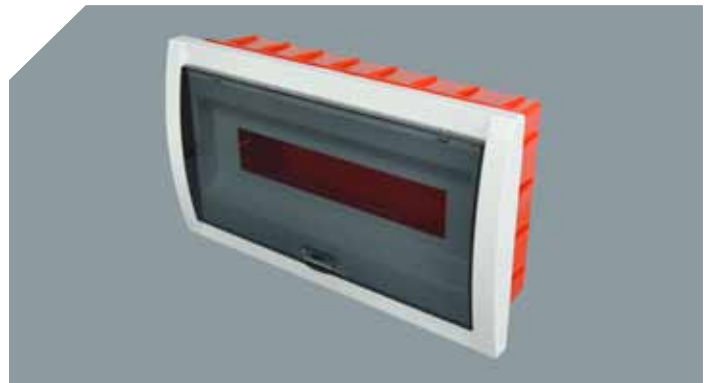
| Order Code       | Product Name                    | Package Piece | Weight (kg) | M <sup>3</sup> Volume |
|------------------|---------------------------------|---------------|-------------|-----------------------|
| <b>ZB.PM.106</b> | Flush Mounted Fuse Box, 6 Fuses | 30            | 10,1        | 0,103                 |



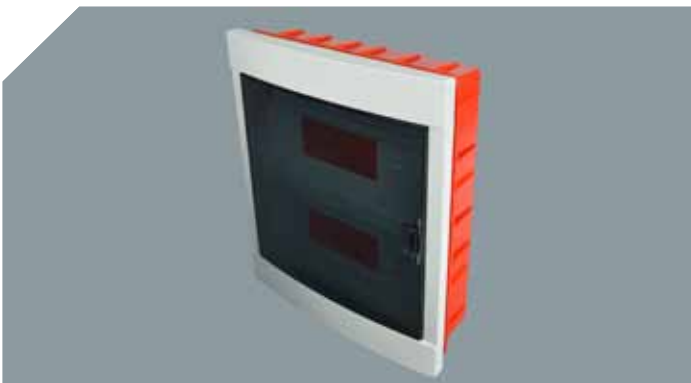
| Order Code       | Product Name                    | Package Piece | Weight (kg) | M <sup>3</sup> Volume |
|------------------|---------------------------------|---------------|-------------|-----------------------|
| <b>ZB.PM.108</b> | Flush Mounted Fuse Box, 8 Fuses | 20            | 9,88        | 0,09                  |



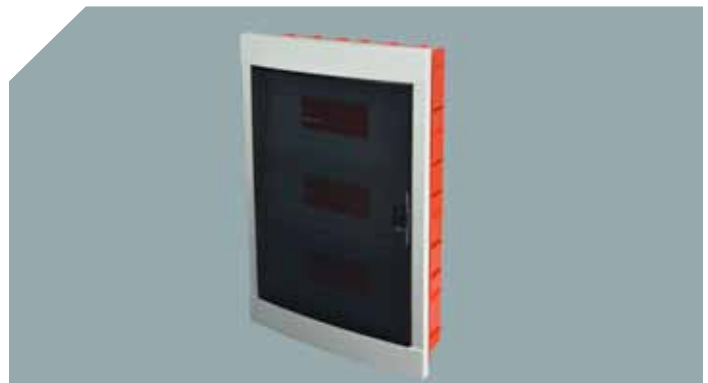
| Order Code       | Product Name                     | Package Piece | Weight (kg) | M <sup>3</sup> Volume |
|------------------|----------------------------------|---------------|-------------|-----------------------|
| <b>ZB.PM.112</b> | Flush Mounted Fuse Box, 12 Fuses | 20            | 14,4        | 0,140                 |



| Order Code       | Product Name                     | Package Piece | Weight (kg) | M <sup>3</sup> Volume |
|------------------|----------------------------------|---------------|-------------|-----------------------|
| <b>ZB.PM.118</b> | Flush Mounted Fuse Box, 18 Fuses | 10            | 9,76        | 0,090                 |



| Order Code       | Product Name                     | Package Piece | Weight (kg) | M <sup>3</sup> Volume |
|------------------|----------------------------------|---------------|-------------|-----------------------|
| <b>ZB.PM.124</b> | Flush Mounted Fuse Box, 24 Fuses | 10            | 10,86       | 0,108                 |



| Order Code       | Product Name                     | Package Piece | Weight (kg) | M <sup>3</sup> Volume |
|------------------|----------------------------------|---------------|-------------|-----------------------|
| <b>ZB.PM.136</b> | Flush Mounted Fuse Box, 36 Fuses | 10            | 14,80       | 0,15                  |



## SURFACE MOUNTED FUSE BOXES



| Order Code | Product Name                      | Package Piece | Weight (kg) | M <sup>3</sup> Volume |
|------------|-----------------------------------|---------------|-------------|-----------------------|
| ZB.PM.206  | Surface Mounted Fuse Box, 6 Fuses | 30            | 10,82       | 0,103                 |



| Order Code | Product Name                      | Package Piece | Weight (kg) | M <sup>3</sup> Volume |
|------------|-----------------------------------|---------------|-------------|-----------------------|
| ZB.PM.208  | Surface Mounted Fuse Box, 8 Fuses | 20            | 10,66       | 0,09                  |



| Order Code | Product Name                       | Package Piece | Weight (kg) | M <sup>3</sup> Volume |
|------------|------------------------------------|---------------|-------------|-----------------------|
| ZB.PM.212  | Surface Mounted Fuse Box, 12 Fuses | 20            | 14,88       | 0,14                  |



| Order Code | Product Name                       | Package Piece | Weight (kg) | M <sup>3</sup> Volume |
|------------|------------------------------------|---------------|-------------|-----------------------|
| ZB.PM.218  | Surface Mounted Fuse Box, 18 Fuses | 10            | 9,96        | 0,09                  |



| Order Code | Product Name                       | Package Piece | Weight (kg) | M <sup>3</sup> Volume |
|------------|------------------------------------|---------------|-------------|-----------------------|
| ZB.PM.224  | Surface Mounted Fuse Box, 24 Fuses | 10            | 8,96        | 0,108                 |



| Order Code | Product Name                       | Package Piece | Weight (kg) | M <sup>3</sup> Volume |
|------------|------------------------------------|---------------|-------------|-----------------------|
| ZB.PM.236  | Surface Mounted Fuse Box, 36 Fuses | 10            | 15,46       | 0,15                  |

## ABS HALOGEN FREE PLASTIC PANELS



### ABS HALOGEN FREE PLASTIC PANELS



**IP 65**

| Order Code | Product Name               | Width (mm) | Height (mm) | Depth (mm) | Weight (kg) |
|------------|----------------------------|------------|-------------|------------|-------------|
| ZEY.AP01   | 20*30*13 ABS Plastic Panel | 200        | 300         | 130        | 1,36        |
| ZEY.AP02   | 25*35*15 ABS Plastic Panel | 250        | 350         | 150        | 2,10        |
| ZEY.AP03   | 30*40*17 ABS Plastic Panel | 300        | 400         | 170        | 2,78        |
| ZEY.AP04   | 30*40*22 ABS Plastic Panel | 300        | 400         | 220        | 3,20        |
| ZEY.AP05   | 35*50*19 ABS Plastic Panel | 350        | 500         | 190        | 3,92        |
| ZEY.AP06   | 40*50*18 ABS Plastic Panel | 400        | 500         | 180        | 4,14        |
| ZEY.AP07   | 40*50*24 ABS Plastic Panel | 400        | 500         | 240        | 5,04        |
| ZEY.AP08   | 40*60*20 ABS Plastic Panel | 400        | 600         | 200        | 4,96        |
| ZEY.AP10   | 50*70*25 ABS Plastic Panel | 500        | 700         | 250        | 8,54        |
| ZEY.AP11   | 60*80*26 ABS Plastic Panel | 600        | 800         | 260        | 12,24       |

### HF PLASTIC PANELS WITH TRASPARENT LID



**IP 65**

| Order Code | Product Name              | Width (mm) | Height (mm) | Depth (mm) | Weight (kg) |
|------------|---------------------------|------------|-------------|------------|-------------|
| ZEY.AP101  | 20*30*13 PC Plastic Panel | 200        | 300         | 130        | 1,36        |
| ZEY.AP102  | 25*35*15 PC Plastic Panel | 250        | 350         | 150        | 2,10        |
| ZEY.AP103  | 30*40*17 PC Plastic Panel | 300        | 400         | 170        | 2,78        |
| ZEY.AP104  | 30*40*22 PC Plastic Panel | 300        | 400         | 220        | 3,20        |
| ZEY.AP105  | 35*50*19 PC Plastic Panel | 350        | 500         | 190        | 3,92        |
| ZEY.AP106  | 40*50*18 PC Plastic Panel | 400        | 500         | 180        | 4,14        |
| ZEY.AP107  | 40*50*24 PC Plastic Panel | 400        | 500         | 240        | 5,04        |
| ZEY.AP108  | 40*60*20 PC Plastic Panel | 400        | 600         | 200        | 4,96        |
| ZEY.AP110  | 50*70*25 PC Plastic Panel | 500        | 700         | 250        | 8,54        |
| ZEY.AP111  | 60*80*26 PC Plastic Panel | 600        | 800         | 260        | 12,24       |

### EMT Galvanized Steel Conduit Systems

| Order Code | Size (inch) | Outer Dia (mm) | Thickness (mm) |
|------------|-------------|----------------|----------------|
| ZB.EM12    | 1/2"        | 17,9           | 1,07           |
| ZB.EM34    | 3/4"        | 23,4           | 1,25           |
| ZB.EM10    | 1"          | 29,5           | 1,45           |
| ZB.EM114   | 1 1/4"      | 38,4           | 1,65           |
| ZB.EM112   | 1 1/2"      | 44,2           | 1,65           |
| ZB.EM20    | 2"          | 55,8           | 1,65           |
| ZB.EM212   | 2 1/2"      | 73             | 1,83           |
| ZB.EM30    | 3"          | 88,9           | 1,83           |
| ZB.EM312   | 3 1/2"      | 101,6          | 2,11           |
| ZB.EM40    | 4"          | 114,3          | 2,11           |



### IMC Threaded Galvanized Steel Conduit Systems

| Order Code | Size (inch) | Outer Dia (mm) | Thickness (mm) |
|------------|-------------|----------------|----------------|
| ZB.IM12    | 1/2"        | 20,7           | 1,79           |
| ZB.IM34    | 3/4"        | 26,13          | 1,9            |
| ZB.IM10    | 1"          | 32,76          | 2,16           |
| ZB.IM114   | 1 1/4"      | 41,6           | 2,16           |
| ZB.IM112   | 1 1/2"      | 47,82          | 2,29           |
| ZB.IM20    | 2"          | 59,94          | 2,41           |
| ZB.IM212   | 2 1/2"      | 72,56          | 3,56           |
| ZB.IM30    | 3"          | 88,29          | 3,56           |
| ZB.IM312   | 3 1/2"      | 100,86         | 3,56           |
| ZB.IM40    | 4"          | 113,43         | 3,56           |



## GALVANIZED STEEL CONDUIT SYSTEMS ACCESSORIES

### Screwed Coupling

| Order Code | Size (Inch) |
|------------|-------------|
| ZB.EVEK12  | 1/2"        |
| ZB.EVEK34  | 3/4"        |
| ZB.EVEK10  | 1"          |
| ZB.EVEK114 | 1 1/4"      |
| ZB.EVEK112 | 1 1/2"      |
| ZB.EVEK20  | 2"          |
| ZB.EVEK212 | 2 1/2"      |
| ZB.EVEK30  | 3"          |
| ZB.EVEK312 | 3 1/2"      |
| ZB.EVEK40  | 4"          |



### Rigid Coupling

| Order Code | Size (Inch) |
|------------|-------------|
| ZB.ESEK12  | 1/2"        |
| ZB.ESEK34  | 3/4"        |
| ZB.ESEK10  | 1"          |
| ZB.ESEK114 | 1 1/4"      |
| ZB.ESEK112 | 1 1/2"      |
| ZB.ESEK20  | 2"          |
| ZB.ESEK212 | 2 1/2"      |
| ZB.ESEK30  | 3"          |
| ZB.ESEK312 | 3 1/2"      |
| ZB.ESEK40  | 4"          |



### Screwed Box Connector

| Order Code | Size (Inch) |
|------------|-------------|
| ZB.VEB12   | 1/2"        |
| ZB.VEB34   | 3/4"        |
| ZB.VEB10   | 1"          |
| ZB.VEB114  | 1 1/4"      |
| ZB.VEB112  | 1 1/2"      |
| ZB.VEB20   | 2"          |
| ZB.VEB212  | 2 1/2"      |
| ZB.VEB30   | 3"          |
| ZB.VEB312  | 3 1/2"      |
| ZB.VEB40   | 4"          |



### Coupling

| Order Code | Size (Inch) |
|------------|-------------|
| ZB.DEM12   | 1/2"        |
| ZB.DEM34   | 3/4"        |
| ZB.DEM10   | 1"          |
| ZB.DEM114  | 1 1/4"      |
| ZB.DEM112  | 1 1/2"      |
| ZB.DEM20   | 2"          |
| ZB.DEM212  | 2 1/2"      |
| ZB.DEM30   | 3"          |
| ZB.DEM312  | 3 1/2"      |
| ZB.DEM40   | 4"          |



## GALVANIZED STEEL CONDUIT SYSTEMS ACCESSORIES

### 45° EMT Conduit Elbows

| Order Code | Size (Inch) |
|------------|-------------|
| ZB.45'12   | 1/2"        |
| ZB.45'34   | 3/4"        |
| ZB.45'10   | 1"          |
| ZB.45'114  | 1 1/4"      |
| ZB.45'112  | 1 1/2"      |
| ZB.45'20   | 2"          |
| ZB.45'212  | 2 1/2"      |
| ZB.45'30   | 3"          |
| ZB.45'312  | 3 1/2"      |
| ZB.45'40   | 4"          |



### 90° EMT Conduit Elbows

| Order Code | Size (Inch) |
|------------|-------------|
| ZB.90'12   | 1/2"        |
| ZB.90'34   | 3/4"        |
| ZB.90'10   | 1"          |
| ZB.90'114  | 1 1/4"      |
| ZB.90'112  | 1 1/2"      |
| ZB.90'20   | 2"          |
| ZB.90'212  | 2 1/2"      |
| ZB.90'30   | 3"          |
| ZB.90'312  | 3 1/2"      |
| ZB.90'40   | 4"          |



### 45° IMC Rigid Conduit Elbows

| Order Code | Size (Inch) |
|------------|-------------|
| ZB.45'D12  | 1/2"        |
| ZB.45'D34  | 3/4"        |
| ZB.45'D10  | 1"          |
| ZB.45'D114 | 1 1/4"      |
| ZB.45'D112 | 1 1/2"      |
| ZB.45'D20  | 2"          |
| ZB.45'D212 | 2 1/2"      |
| ZB.45'D30  | 3"          |
| ZB.45'D312 | 3 1/2"      |
| ZB.45'D40  | 4"          |



### 90° IMC Rigid Conduit Elbows

| Order Code | Size (Inch) |
|------------|-------------|
| ZB.90'D12  | 1/2"        |
| ZB.90'D34  | 3/4"        |
| ZB.90'D10  | 1"          |
| ZB.90'D114 | 1 1/4"      |
| ZB.90'D112 | 1 1/2"      |
| ZB.90'D20  | 2"          |
| ZB.90'D212 | 2 1/2"      |
| ZB.90'D30  | 3"          |
| ZB.90'D312 | 3 1/2"      |
| ZB.90'D40  | 4"          |



# GALVANIZED STEEL CONDUIT SYSTEMS ACCESSORIES

## Threaded Oval Conduit Bodies

### Type LB

| Order Code | Size (Inch) |
|------------|-------------|
| ZB.LB12    | 1/2"        |
| ZB.LB34    | 3/4"        |
| ZB.LB10    | 1"          |
| ZB.LB114   | 1 1/4"      |
| ZB.LB112   | 1 1/2"      |
| ZB.LB20    | 2"          |
| ZB.LB212   | 2 1/2"      |
| ZB.LB30    | 3"          |
| ZB.LB312   | 3 1/2"      |
| ZB.LB40    | 4"          |



### Type LL

| Order Code | Size (Inch) |
|------------|-------------|
| ZB.LL12    | 1/2"        |
| ZB.LL34    | 3/4"        |
| ZB.LL10    | 1"          |
| ZB.LL114   | 1 1/4"      |
| ZB.LL112   | 1 1/2"      |
| ZB.LL20    | 2"          |
| ZB.LL212   | 2 1/2"      |
| ZB.LL30    | 3"          |
| ZB.LL312   | 3 1/2"      |
| ZB.LL40    | 4"          |



### Type LR

| Order Code | Size (Inch) |
|------------|-------------|
| ZB.LR12    | 1/2"        |
| ZB.LR34    | 3/4"        |
| ZB.LR10    | 1"          |
| ZB.LR114   | 1 1/4"      |
| ZB.LR112   | 1 1/2"      |
| ZB.LR20    | 2"          |
| ZB.LR212   | 2 1/2"      |
| ZB.LR30    | 3"          |
| ZB.LR312   | 3 1/2"      |
| ZB.LR40    | 4"          |



### Type T

| Order Code | Size (Inch) |
|------------|-------------|
| ZB.T12     | 1/2"        |
| ZB.T34     | 3/4"        |
| ZB.T10     | 1"          |
| ZB.T114    | 1 1/4"      |
| ZB.T112    | 1 1/2"      |
| ZB.T20     | 2"          |
| ZB.T212    | 2 1/2"      |
| ZB.T30     | 3"          |
| ZB.T312    | 3 1/2"      |
| ZB.T40     | 4"          |



### Type C

| Order Code | Size (Inch) |
|------------|-------------|
| ZB.C12     | 1/2"        |
| ZB.C34     | 3/4"        |
| ZB.C10     | 1"          |
| ZB.C114    | 1 1/4"      |
| ZB.C112    | 1 1/2"      |
| ZB.C20     | 2"          |
| ZB.C212    | 2 1/2"      |
| ZB.C30     | 3"          |
| ZB.C312    | 3 1/2"      |
| ZB.C40     | 4"          |



### Type X

| Order Code | Size (Inch) |
|------------|-------------|
| ZB.X12     | 1/2"        |
| ZB.X34     | 3/4"        |
| ZB.X10     | 1"          |
| ZB.X114    | 1 1/4"      |
| ZB.X112    | 1 1/2"      |
| ZB.X20     | 2"          |
| ZB.X212    | 2 1/2"      |
| ZB.X30     | 3"          |
| ZB.X312    | 3 1/2"      |
| ZB.X40     | 4"          |



## GALVANIZED STEEL CONDUIT SYSTEMS ACCESSORIES

### U Bolt

| Order Code | Size (inch) |
|------------|-------------|
| ZB.UB12    | 1/2"        |
| ZB.UB34    | 3/4"        |
| ZB.UB10    | 1"          |
| ZB.UB114   | 1 1/4"      |
| ZB.UB112   | 1 1/2"      |
| ZB.UB20    | 2"          |
| ZB.UB212   | 2 1/2"      |
| ZB.UB30    | 3"          |
| ZB.UB312   | 3 1/2"      |
| ZB.UB40    | 4"          |



### One-Hole Straps For Rigid

| Order Code | Size (inch) |
|------------|-------------|
| ZB.TK12    | 1/2"        |
| ZB.TK34    | 3/4"        |
| ZB.TK10    | 1"          |
| ZB.TK114   | 1 1/4"      |
| ZB.TK112   | 1 1/2"      |
| ZB.TK20    | 2"          |
| ZB.TK212   | 2 1/2"      |
| ZB.TK30    | 3"          |
| ZB.TK312   | 3 1/2"      |
| ZB.TK40    | 4"          |



### Two-Hole Straps For Rigid

| Order Code | Size (inch) |
|------------|-------------|
| ZB.ÇK12    | 1/2"        |
| ZB.ÇK34    | 3/4"        |
| ZB.ÇK10    | 1"          |
| ZB.ÇK114   | 1 1/4"      |
| ZB.ÇK112   | 1 1/2"      |
| ZB.ÇK20    | 2"          |
| ZB.ÇK212   | 2 1/2"      |
| ZB.ÇK30    | 3"          |
| ZB.ÇK312   | 3 1/2"      |
| ZB.ÇK40    | 4"          |



### Steel Conduit Locknuts

| Order Code | Size (inch) |
|------------|-------------|
| ZB.KM12    | 1/2"        |
| ZB.KM34    | 3/4"        |
| ZB.KM10    | 1"          |
| ZB.KM114   | 1 1/4"      |
| ZB.KM112   | 1 1/2"      |
| ZB.KM20    | 2"          |
| ZB.KM212   | 2 1/2"      |
| ZB.KM30    | 3"          |
| ZB.KM312   | 3 1/2"      |
| ZB.KM40    | 4"          |



### Metallic Conduit Bushing

| Order Code | Size (inch) |
|------------|-------------|
| ZB.MB12    | 1/2"        |
| ZB.MB34    | 3/4"        |
| ZB.MB10    | 1"          |
| ZB.MB114   | 1 1/4"      |
| ZB.MB112   | 1 1/2"      |
| ZB.MB20    | 2"          |
| ZB.MB212   | 2 1/2"      |
| ZB.MB30    | 3"          |
| ZB.MB312   | 3 1/2"      |
| ZB.MB40    | 4"          |



### Close Nipples

| Order Code | Size (inch) |
|------------|-------------|
| ZB.NPL12   | 1/2"        |
| ZB.NPL34   | 3/4"        |
| ZB.NPL10   | 1"          |
| ZB.NPL114  | 1 1/4"      |
| ZB.NPL112  | 1 1/2"      |
| ZB.NPL20   | 2"          |
| ZB.NPL212  | 2 1/2"      |
| ZB.NPL30   | 3"          |
| ZB.NPL312  | 3 1/2"      |
| ZB.NPL40   | 4"          |



### Metallic Conduit Bushing

| Order Code | Size (inch) |
|------------|-------------|
| ZB.KLP12   | 1/2"        |
| ZB.KLP34   | 3/4"        |
| ZB.KLP10   | 1"          |
| ZB.KLP114  | 1 1/4"      |
| ZB.KLP112  | 1 1/2"      |
| ZB.KLP20   | 2"          |
| ZB.KLP212  | 2 1/2"      |
| ZB.KLP30   | 3"          |
| ZB.KLP312  | 3 1/2"      |
| ZB.KLP40   | 4"          |



## 100x50 mm INSIDE LOCKING COVER TRUNKING

 TS EN 50085-2-1



### 100x50 mm Inside Locking Cover Trunking

| Order Code   | Product Name                            | Quantity (m) | Weight (kg) | M <sup>3</sup> Volume | Packing Type |
|--------------|---|--------------|-------------|-----------------------|--------------|
| ZB.PK.100050 | 100x50 mm Inside Locking Cover Trunking | 20           | 21          | 0,116                 | box          |

### 100x50 mm Inside Locking Cover Trunking Accessories



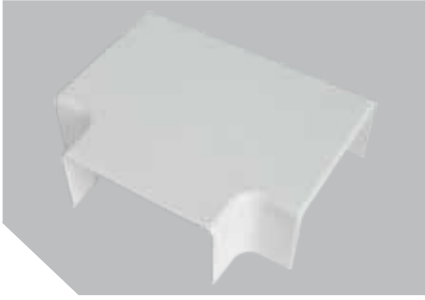
| Order Code   | Product Name                   | Package (Piece) | Packing Type |
|--------------|--------------------------------|-----------------|--------------|
| ZB.PK.100051 | 100x50 mm Internal Corner Live | 12              | box          |



| Order Code   | Product Name                   | Package (Piece) | Packing Type |
|--------------|--------------------------------|-----------------|--------------|
| ZB.PK.100052 | 100x50 mm External Corner Live | 10              | box          |



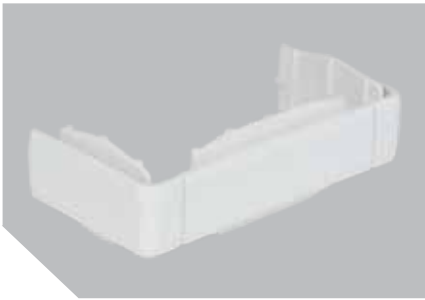
## 100x50 mm INSIDE LOCKING COVER TRUNKING ACCESSORIES



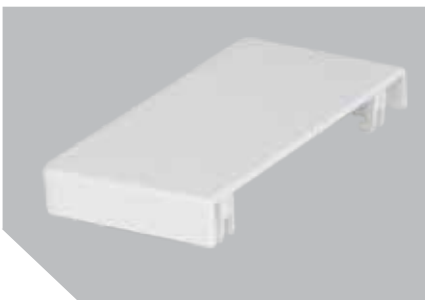
| Order Code   | Product Name       | Package (Piece) | Packing Type |
|--------------|--------------------|-----------------|--------------|
| ZB.PK.100053 | 100x50 mm T Corner | 12              | box          |



| Order Code   | Product Name           | Package (Piece) | Packing Type |
|--------------|------------------------|-----------------|--------------|
| ZB.PK.100054 | 100x50 mm 90° L Corner | 12              | box          |



| Order Code   | Product Name        | Package (Piece) | Packing Type |
|--------------|---------------------|-----------------|--------------|
| ZB.PK.100055 | 100x50 mm Connector | 24              | box          |



| Order Code   | Product Name        | Package (Piece) | Packing Type |
|--------------|---------------------|-----------------|--------------|
| ZB.PK.100056 | 100x50 mm Blind Cap | 24              | box          |



| Order Code   | Product Name        | Package (Piece) | Packing Type |
|--------------|---------------------|-----------------|--------------|
| ZB.PK.100057 | 100x50 mm Partition | 2               | box          |

## 100x50 mm INSIDE LOCKING COVER TRUNKING ACCESSORIES

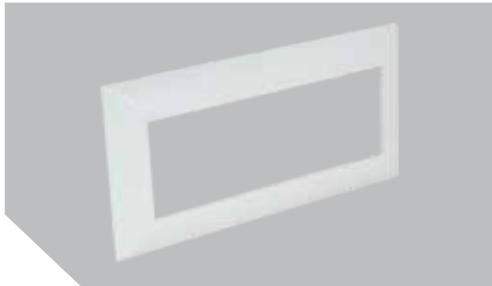
### 100X50 mm Inside Locking Cover Trunking & Plug Socket Assembly Sets



| Order Code | Product Name          | Package (Piece) | Packing Type |
|------------|-----------------------|-----------------|--------------|
| ZB.PK.01   | 45x45 mm Single Frame | 12              | box          |



| Order Code | Product Name          | Package (Piece) | Packing Type |
|------------|-----------------------|-----------------|--------------|
| ZB.PK.02   | 45x45 mm Double Frame | 12              | box          |



| Order Code | Product Name          | Package (Piece) | Packing Type |
|------------|-----------------------|-----------------|--------------|
| ZB.PK.03   | 45x45 mm Triple Frame | 12              | box          |



| Order Code | Product Name           | Package (Piece) | Packing Type |
|------------|------------------------|-----------------|--------------|
| ZB.PK.04   | 45x45 mm Quartet Frame | 20              | box          |



| Order Code | Product Name            | Package (Piece) | Packing Type |
|------------|-------------------------|-----------------|--------------|
| ZB.PK.05   | 45x45 mm Earthed Socket | 60              | box          |

## 100x50 mm INSIDE LOCKING COVER TRUNKING ACCESSORIES

| Order Code | Product Name        | Package (Piece) | Packing Type |
|------------|---------------------|-----------------|--------------|
| ZB.PK.06   | 45x45 mm Ups Socket | 60              | box          |



| Order Code | Product Name               | Package (Piece) | Packing Type |
|------------|----------------------------|-----------------|--------------|
| ZB.PK.07   | 45x45 mm Data Socket Frame | 50              | box          |



| Order Code | Product Name                 | Package (Piece) | Packing Type |
|------------|------------------------------|-----------------|--------------|
| ZB.PK.08   | 45x22,5 mm Data Socket Frame | 50              | box          |



| Order Code | Product Name             | Package (Piece) | Packing Type |
|------------|--------------------------|-----------------|--------------|
| ZB.PK.09   | Data Connector CAT6 RJ45 | 100             | box          |



| Order Code | Product Name             | Package (Piece) | Packing Type |
|------------|--------------------------|-----------------|--------------|
| ZB.PK.10   | Telephone Connector RJ11 | 100             | box          |



## PVC CABLE TRUNKING

 TS EN 50085-2-1



| Order Code  | Product Name            | Weight (kg) | M <sup>3</sup> Volume | Package (m) | Packing Type |
|-------------|-------------------------|-------------|-----------------------|-------------|--------------|
| ZB.PK.12012 | 12X12 mm Cable Trunking | 20,28       | 0,065                 | 320         | box          |



| Order Code  | Product Name            | Weight (kg) | M <sup>3</sup> Volume | Package (m) | Packing Type |
|-------------|-------------------------|-------------|-----------------------|-------------|--------------|
| ZB.PK.16016 | 16X16 mm Cable Trunking | 17,88       | 0,065                 | 210         | box          |



| Order Code  | Product Name            | Weight (kg) | M <sup>3</sup> Volume | Package (m) | Packing Type |
|-------------|-------------------------|-------------|-----------------------|-------------|--------------|
| ZB.PK.25016 | 25X16 mm Cable Trunking | 20,41       | 0,077                 | 154         | box          |



| Order Code  | Product Name            | Weight (kg) | M <sup>3</sup> Volume | Package (m) | Packing Type |
|-------------|-------------------------|-------------|-----------------------|-------------|--------------|
| ZB.PK.25025 | 25x25 mm Cable Trunking | 17,06       | 0,082                 | 96          | box          |

## PVC CABLE TRUNKING

 TS EN 50085-2-1

| Order Code  | Product Name            | Weight (kg) | M <sup>3</sup> Volume | Package (m) | Packing Type |
|-------------|-------------------------|-------------|-----------------------|-------------|--------------|
| ZB.PK.40025 | 40x25 mm Cable Trunking | 19,6        | 0,104                 | 80          | box          |



| Order Code  | Product Name            | Weight (kg) | M <sup>3</sup> Volume | Package (m) | Packing Type |
|-------------|-------------------------|-------------|-----------------------|-------------|--------------|
| ZB.PK.40040 | 40x40 mm Cable Trunking | 22,76       | 0,129                 | 72          | box          |



| Order Code  | Product Name            | Weight (kg) | M <sup>3</sup> Volume | Package (m) | Packing Type |
|-------------|-------------------------|-------------|-----------------------|-------------|--------------|
| ZB.PK.60040 | 60x40 mm Cable Trunking | 20,42       | 0,129                 | 48          | box          |

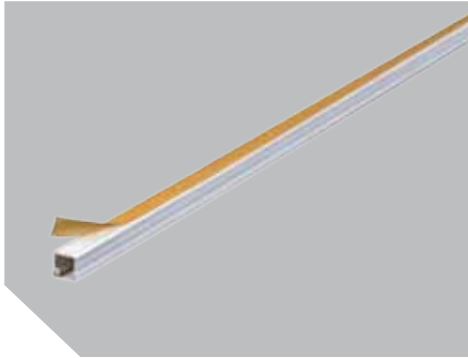


| Order Code  | Product Name            | Weight (kg) | M <sup>3</sup> Volume | Package (m) | Packing Type |
|-------------|-------------------------|-------------|-----------------------|-------------|--------------|
| ZB.PK.60060 | 60x60 mm Cable Trunking | 21,20       | 0,165                 | 42          | box          |

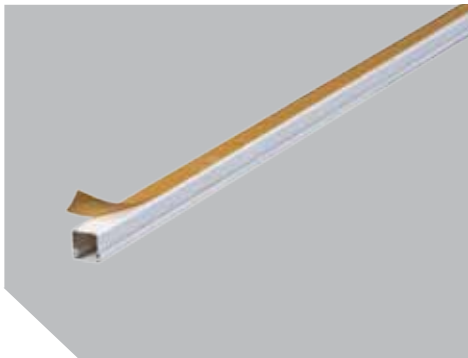


## SELF ADHESIVE PVC CABLE TRUNKING

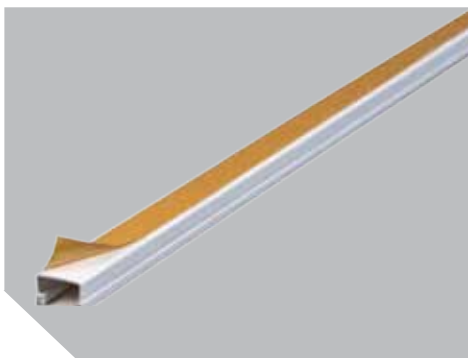
 TS EN 50085-2-1



| Order Code  | Product Name                     | Weight (kg) | M <sup>3</sup> Volume | Package (m) | Packing Type |
|-------------|----------------------------------|-------------|-----------------------|-------------|--------------|
| ZB.PK.12112 | 12X12 mm Adhesive Cable Trunking | 21,28       | 0,065                 | 320         | box          |



| Order Code  | Product Name                     | Weight (kg) | M <sup>3</sup> Volume | Package (m) | Packing Type |
|-------------|----------------------------------|-------------|-----------------------|-------------|--------------|
| ZB.PK.16116 | 16X16 mm Adhesive Cable Trunking | 18,88       | 0,065                 | 210         | box          |

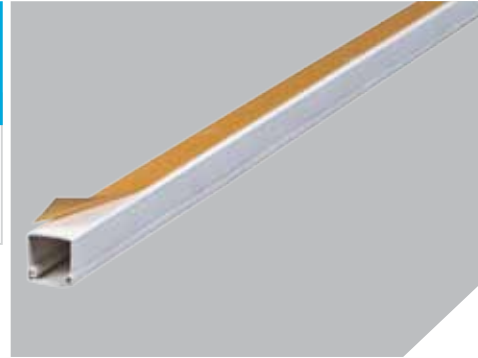


| Order Code  | Product Name                     | Weight (kg) | M <sup>3</sup> Volume | Package (m) | Packing Type |
|-------------|----------------------------------|-------------|-----------------------|-------------|--------------|
| ZB.PK.25116 | 25X16 mm Adhesive Cable Trunking | 21,41       | 0,077                 | 154         | box          |

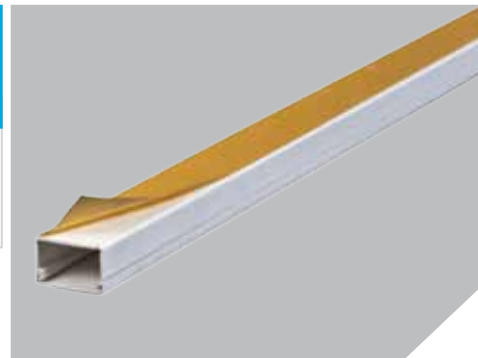
## SELF ADHESIVE PVC CABLE TRUNKING

 TS EN 50085-2-1

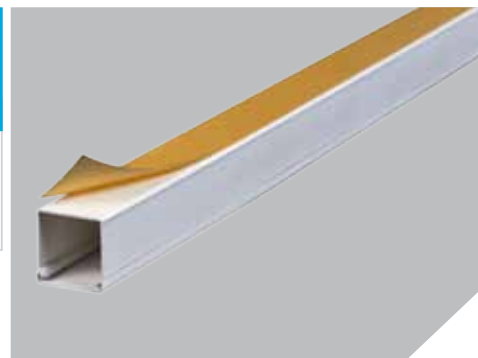
| Order Code  | Product Name                     | Weight (kg) | M <sup>3</sup> Volume | Package (m) | Packing Type |
|-------------|----------------------------------|-------------|-----------------------|-------------|--------------|
| ZB.PK.25125 | 25X25 mm Adhesive Cable Trunking | 18,06       | 0,082                 | 96          | box          |



| Order Code  | Product Name                     | Weight (kg) | M <sup>3</sup> Volume | Package (m) | Packing Type |
|-------------|----------------------------------|-------------|-----------------------|-------------|--------------|
| ZB.PK.40125 | 40x25 mm Adhesive Cable Trunking | 20,60       | 0,104                 | 80          | box          |



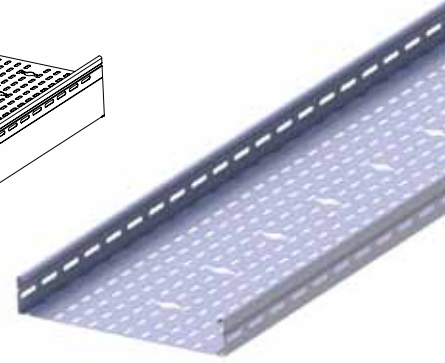
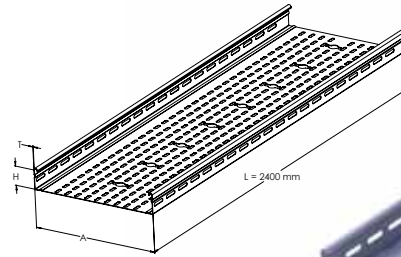
| Order Code  | Product Name                     | Weight (kg) | M <sup>3</sup> Volume | Package (m) | Packing Type |
|-------------|----------------------------------|-------------|-----------------------|-------------|--------------|
| ZB.PK.40140 | 40x40 mm Adhesive Cable Trunking | 23,76       | 0,129                 | 72          | box          |



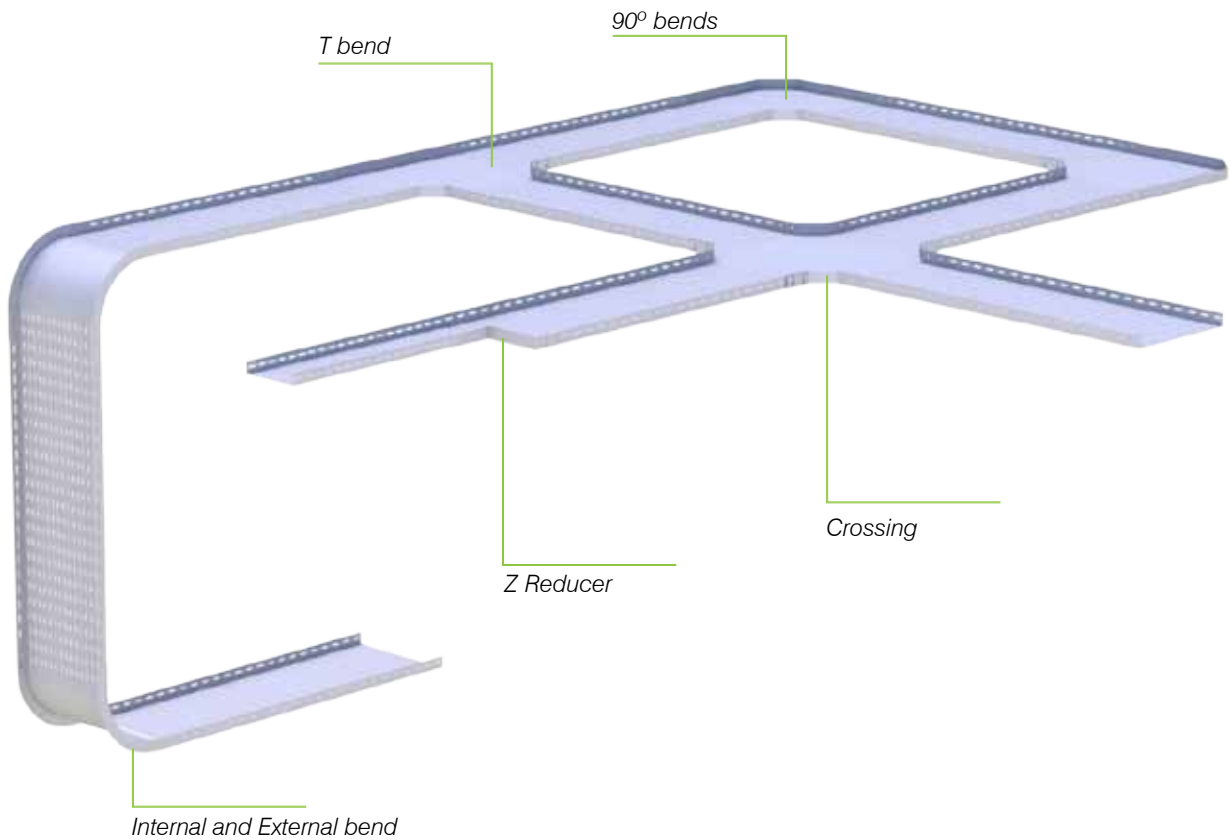
## NORMAL TYPE CABLE TRAYS

### FORMED CABLE TRAYS

| Order Code       | Width A (mm) | Thickness T (mm) | Height H (mm) | Sendzimir Galvanization /Weight (kg/mt) |
|------------------|--------------|------------------|---------------|---|
| ZEY.FK.50-08-40  | 50           | 0,8              | 40            | 0,83                                    |
| ZEY.FK.100-08-40 | 100          | 0,8              | 40            | 1,11                                    |
| ZEY.FK.150-08-40 | 150          | 0,8              | 40            | 1,40                                    |
| ZEY.FK.200-08-40 | 200          | 0,8              | 40            | 1,68                                    |
| ZEY.FK.300-10-40 | 300          | 1                | 40            | 2,80                                    |
| ZEY.FK.400-12-40 | 400          | 1,2              | 40            | 4,21                                    |



### NORMAL TYPE CABLE TRAYS APPLICATION AND FIXING DETAILS

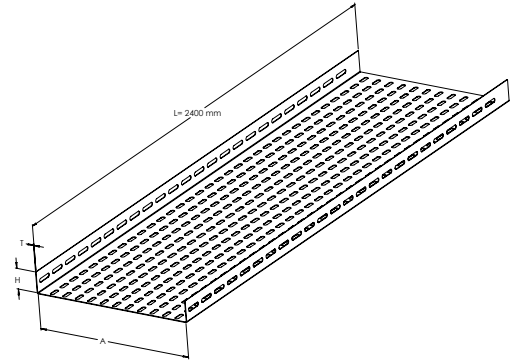
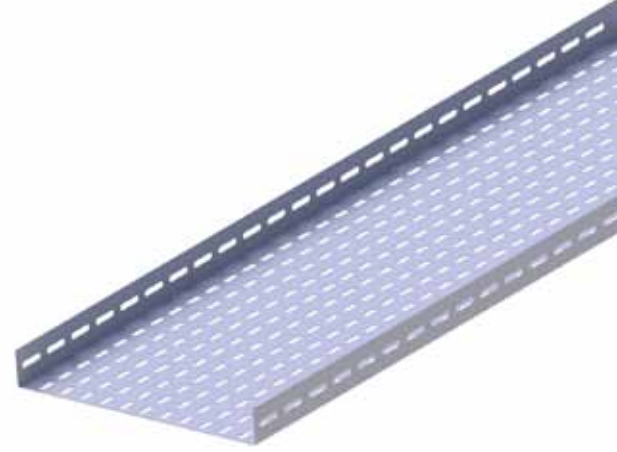




## NORMAL TYPE CABLE TRAYS

H:40 mm

| Order Code       | Width A (mm) | Thickness T (mm) | Height H (mm) | Senzimir Galvanization /Weight (kg/mt) | Hot Dip Galvanization /Weight (kg/mt) |
|------------------|--------------|------------------|---------------|--|---------------------------------------|
| ZEY.NK.50-10-40  | 50           | 1                | 40            | 0,91                                   | 0,99                                  |
| ZEY.NK.50-12-40  | 50           | 1,2              | 40            | 1,07                                   | 1,17                                  |
| ZEY.NK.50-15-40  | 50           | 1,5              | 40            | 1,37                                   | 1,49                                  |
| ZEY.NK.50-20-40  | 50           | 2                | 40            | 1,82                                   | 1,98                                  |
| ZEY.NK.100-10-40 | 100          | 1                | 40            | 1,28                                   | 1,40                                  |
| ZEY.NK.100-12-40 | 100          | 1,2              | 40            | 1,41                                   | 1,54                                  |
| ZEY.NK.100-15-40 | 100          | 1,5              | 40            | 1,83                                   | 1,99                                  |
| ZEY.NK.100-20-40 | 100          | 2                | 40            | 2,41                                   | 2,63                                  |
| ZEY.NK.150-10-40 | 150          | 1                | 40            | 1,63                                   | 1,78                                  |
| ZEY.NK.150-12-40 | 150          | 1,2              | 40            | 1,94                                   | 2,11                                  |
| ZEY.NK.150-15-40 | 150          | 1,5              | 40            | 2,32                                   | 2,53                                  |
| ZEY.NK.150-20-40 | 150          | 2                | 40            | 3,10                                   | 3,38                                  |
| ZEY.NK.200-10-40 | 200          | 1                | 40            | 2,00                                   | 2,18                                  |
| ZEY.NK.200-12-40 | 200          | 1,2              | 40            | 2,42                                   | 2,64                                  |
| ZEY.NK.200-15-40 | 200          | 1,5              | 40            | 2,70                                   | 2,94                                  |
| ZEY.NK.200-20-40 | 200          | 2                | 40            | 3,78                                   | 4,12                                  |
| ZEY.NK.250-10-40 | 250          | 1                | 40            | 2,29                                   | 2,50                                  |
| ZEY.NK.250-12-40 | 250          | 1,2              | 40            | 2,83                                   | 3,08                                  |
| ZEY.NK.250-15-40 | 250          | 1,5              | 40            | 3,34                                   | 3,64                                  |
| ZEY.NK.250-20-40 | 250          | 2                | 40            | 4,46                                   | 4,86                                  |
| ZEY.NK.300-12-40 | 300          | 1,2              | 40            | 3,17                                   | 3,46                                  |
| ZEY.NK.300-15-40 | 300          | 1,5              | 40            | 3,72                                   | 4,05                                  |
| ZEY.NK.300-20-40 | 300          | 2                | 40            | 5,14                                   | 5,60                                  |
| ZEY.NK.400-15-40 | 400          | 1,5              | 40            | 4,43                                   | 4,83                                  |
| ZEY.NK.400-20-40 | 400          | 2                | 40            | 6,52                                   | 7,11                                  |
| ZEY.NK.500-15-40 | 500          | 1,5              | 40            | 5,98                                   | 6,52                                  |
| ZEY.NK.500-20-40 | 500          | 2                | 40            | 7,88                                   | 8,59                                  |
| ZEY.NK.600-15-40 | 600          | 1,5              | 40            | 7,04                                   | 7,67                                  |
| ZEY.NK.600-20-40 | 600          | 2                | 40            | 9,24                                   | 10,07                                 |



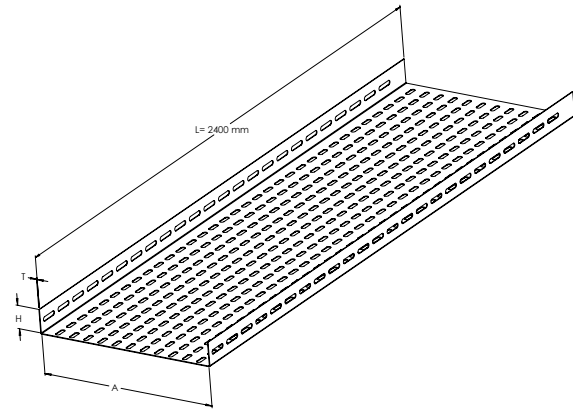
Mts weight tolerance  $\pm$  %10  
 Standard Length 2400 mm  
 Special size (dimensions) pls call us  
 Pls define order codes when you offer or order

## NORMAL TYPE CABLE TRAYS

### NORMAL TYPE CABLE TRAYS

H:50 mm

| Order Code       | Width A (mm) | Thickness T (mm) | Height H (mm) | Sendzimir Galvanization /Weight (kg/mt) | Hot Dip Galvanization /Weight (kg/mt) |
|------------------|--------------|------------------|---------------|---|---------------------------------------|
| ZEY.NK.50-10-50  | 50           | 1                | 50            | 1,07                                    | 1,16                                  |
| ZEY.NK.50-12-50  | 50           | 1,2              | 50            | 1,26                                    | 1,37                                  |
| ZEY.NK.50-15-50  | 50           | 1,5              | 50            | 1,61                                    | 1,75                                  |
| ZEY.NK.50-20-50  | 50           | 2                | 50            | 2,13                                    | 2,33                                  |
| ZEY.NK.100-10-50 | 100          | 1                | 50            | 1,44                                    | 1,57                                  |
| ZEY.NK.100-12-50 | 100          | 1,2              | 50            | 1,60                                    | 1,74                                  |
| ZEY.NK.100-15-50 | 100          | 1,5              | 50            | 2,07                                    | 2,25                                  |
| ZEY.NK.100-20-50 | 100          | 2                | 50            | 2,72                                    | 2,97                                  |
| ZEY.NK.150-10-50 | 150          | 1                | 50            | 1,79                                    | 1,95                                  |
| ZEY.NK.150-12-50 | 150          | 1,2              | 50            | 2,13                                    | 2,32                                  |
| ZEY.NK.150-15-50 | 150          | 1,5              | 50            | 2,56                                    | 2,79                                  |
| ZEY.NK.150-20-50 | 150          | 2                | 50            | 3,41                                    | 3,72                                  |
| ZEY.NK.200-10-50 | 200          | 1                | 50            | 2,16                                    | 2,35                                  |
| ZEY.NK.200-12-50 | 200          | 1,2              | 50            | 2,61                                    | 2,84                                  |
| ZEY.NK.200-15-50 | 200          | 1,5              | 50            | 2,94                                    | 3,20                                  |
| ZEY.NK.200-20-50 | 200          | 2                | 50            | 4,09                                    | 4,46                                  |
| ZEY.NK.250-10-50 | 250          | 1                | 50            | 2,45                                    | 2,67                                  |
| ZEY.NK.250-12-50 | 250          | 1,2              | 50            | 3,02                                    | 3,29                                  |
| ZEY.NK.250-15-50 | 250          | 1,5              | 50            | 3,58                                    | 3,90                                  |
| ZEY.NK.250-20-50 | 250          | 2                | 50            | 4,77                                    | 5,20                                  |
| ZEY.NK.300-12-50 | 300          | 1,2              | 50            | 3,36                                    | 3,66                                  |
| ZEY.NK.300-15-50 | 300          | 1,5              | 50            | 3,96                                    | 4,31                                  |
| ZEY.NK.300-20-50 | 300          | 2                | 50            | 5,45                                    | 5,94                                  |
| ZEY.NK.400-15-50 | 400          | 1,5              | 50            | 4,67                                    | 5,09                                  |
| ZEY.NK.400-20-50 | 400          | 2                | 50            | 6,83                                    | 7,45                                  |
| ZEY.NK.500-15-50 | 500          | 1,5              | 50            | 6,22                                    | 6,78                                  |
| ZEY.NK.500-20-50 | 500          | 2                | 50            | 8,19                                    | 8,93                                  |
| ZEY.NK.600-15-50 | 600          | 1,5              | 50            | 7,28                                    | 7,93                                  |
| ZEY.NK.600-20-50 | 600          | 2                | 50            | 9,55                                    | 10,41                                 |



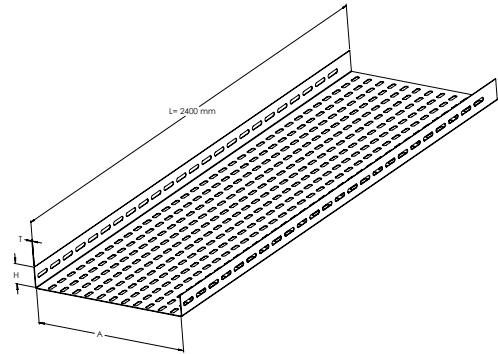
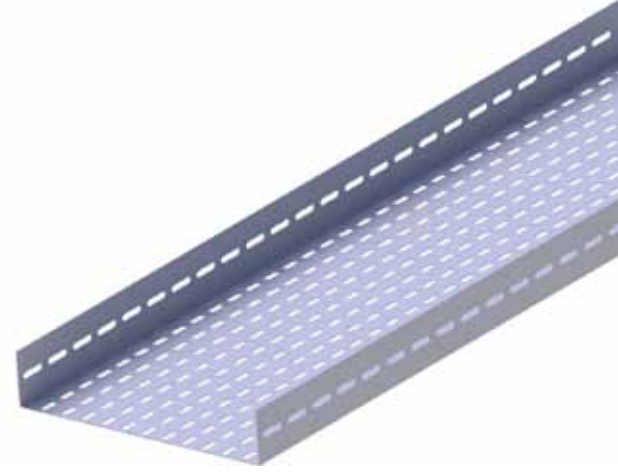
Mts weight tolerance  $\pm$  %10  
 Standard Length 2400 mm  
 Special size (dimensions) pls call us  
 Pls define order codes when you offer or order

## NORMAL TYPE CABLE TRAYS

### NORMAL TYPE CABLE TRAYS

H:60 mm

| Order Code       | Width A (mm) | Thickness T (mm) | Height H (mm) | Senzimir Galvanization /Weight (kg/mt) | Hot Dip Galvanization /Weight (kg/mt) |
|------------------|--------------|------------------|---------------|--|---------------------------------------|
| ZEY.NK.50-10-60  | 50           | 1                | 60            | 1,22                                   | 1,33                                  |
| ZEY.NK.50-12-60  | 50           | 1,2              | 60            | 1,45                                   | 1,58                                  |
| ZEY.NK.50-15-60  | 50           | 1,5              | 60            | 1,84                                   | 2,01                                  |
| ZEY.NK.50-20-60  | 50           | 2                | 60            | 2,45                                   | 2,67                                  |
| ZEY.NK.100-10-60 | 100          | 1                | 60            | 1,59                                   | 1,74                                  |
| ZEY.NK.100-12-60 | 100          | 1,2              | 60            | 1,79                                   | 1,95                                  |
| ZEY.NK.100-15-60 | 100          | 1,5              | 60            | 2,30                                   | 2,51                                  |
| ZEY.NK.100-20-60 | 100          | 2                | 60            | 3,04                                   | 3,31                                  |
| ZEY.NK.150-10-60 | 150          | 1                | 60            | 1,94                                   | 2,12                                  |
| ZEY.NK.150-12-60 | 150          | 1,2              | 60            | 2,32                                   | 2,52                                  |
| ZEY.NK.150-15-60 | 150          | 1,5              | 60            | 2,79                                   | 3,04                                  |
| ZEY.NK.150-20-60 | 150          | 2                | 60            | 3,73                                   | 4,06                                  |
| ZEY.NK.200-10-60 | 200          | 1                | 60            | 2,31                                   | 2,52                                  |
| ZEY.NK.200-12-60 | 200          | 1,2              | 60            | 2,80                                   | 3,05                                  |
| ZEY.NK.200-15-60 | 200          | 1,5              | 60            | 3,17                                   | 3,46                                  |
| ZEY.NK.200-20-60 | 200          | 2                | 60            | 4,41                                   | 4,80                                  |
| ZEY.NK.250-10-60 | 250          | 1                | 60            | 2,60                                   | 2,84                                  |
| ZEY.NK.250-12-60 | 250          | 1,2              | 60            | 3,21                                   | 3,49                                  |
| ZEY.NK.250-15-60 | 250          | 1,5              | 60            | 3,81                                   | 4,16                                  |
| ZEY.NK.250-20-60 | 250          | 2                | 60            | 5,09                                   | 5,55                                  |
| ZEY.NK.300-12-60 | 300          | 1,2              | 60            | 3,55                                   | 3,87                                  |
| ZEY.NK.300-15-60 | 300          | 1,5              | 60            | 4,19                                   | 4,57                                  |
| ZEY.NK.300-20-60 | 300          | 2                | 60            | 5,77                                   | 6,29                                  |
| ZEY.NK.400-15-60 | 400          | 1,5              | 60            | 4,90                                   | 5,34                                  |
| ZEY.NK.400-20-60 | 400          | 2                | 60            | 7,15                                   | 7,79                                  |
| ZEY.NK.500-15-60 | 500          | 1,5              | 60            | 6,45                                   | 7,03                                  |
| ZEY.NK.500-20-60 | 500          | 2                | 60            | 8,51                                   | 9,27                                  |
| ZEY.NK.600-15-60 | 600          | 1,5              | 60            | 7,51                                   | 8,19                                  |
| ZEY.NK.600-20-60 | 600          | 2                | 60            | 9,87                                   | 10,76                                 |



Mts weight tolerance  $\pm$  %10  
 Standard Length 2400 mm  
 Special size (dimensions) pls call us  
 Pls define order codes when you offer or order

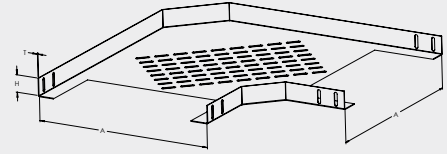
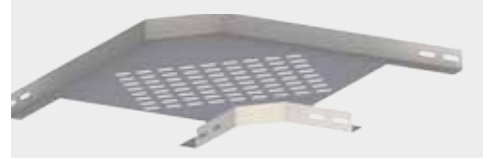
## NORMAL TYPE CABLE TRAYS

### HORIZONTAL BENDS 90°

| Order Code            | Width A (mm) | Thickness T (mm) | Height H (mm) | Sendzimir Galvanization /Weight (kg/piece) | Hot Dip Galvanization /Weight (kg/piece) |
|-----------------------|--------------|------------------|---------------|--|--|
| <b>ZEY.90'.50-40</b>  | 50           | 1                | 40            | 0,33                                       | 0,36                                     |
| <b>ZEY.90'.100-40</b> | 100          | 1                | 40            | 0,47                                       | 0,51                                     |
| <b>ZEY.90'.150-40</b> | 150          | 1                | 40            | 0,65                                       | 0,70                                     |
| <b>ZEY.90'.200-40</b> | 200          | 1                | 40            | 0,86                                       | 0,94                                     |
| <b>ZEY.90'.250-40</b> | 250          | 1                | 40            | 1,11                                       | 1,21                                     |
| <b>ZEY.90'.300-40</b> | 300          | 1,5              | 40            | 1,23                                       | 1,34                                     |
| <b>ZEY.90'.400-40</b> | 400          | 1,5              | 40            | 3,14                                       | 3,43                                     |
| <b>ZEY.90'.500-40</b> | 500          | 1,5              | 40            | 4,41                                       | 4,80                                     |
| <b>ZEY.90'.600-40</b> | 600          | 1,5              | 40            | 5,89                                       | 6,42                                     |

| Order Code            | Width A (mm) | Thickness T (mm) | Height H (mm) | Sendzimir Galvanization /Weight (kg/piece) | Hot Dip Galvanization /Weight (kg/piece) |
|-----------------------|--------------|------------------|---------------|--|--|
| <b>ZEY.90'.50-50</b>  | 50           | 1                | 50            | 0,37                                       | 0,40                                     |
| <b>ZEY.90'.100-50</b> | 100          | 1                | 50            | 0,51                                       | 0,56                                     |
| <b>ZEY.90'.150-50</b> | 150          | 1                | 50            | 0,69                                       | 0,75                                     |
| <b>ZEY.90'.200-50</b> | 200          | 1                | 50            | 0,91                                       | 0,99                                     |
| <b>ZEY.90'.250-50</b> | 250          | 1                | 50            | 1,17                                       | 1,27                                     |
| <b>ZEY.90'.300-50</b> | 300          | 1,5              | 50            | 1,76                                       | 1,92                                     |
| <b>ZEY.90'.400-50</b> | 400          | 1,5              | 50            | 3,25                                       | 3,55                                     |
| <b>ZEY.90'.500-50</b> | 500          | 1,5              | 50            | 4,53                                       | 4,94                                     |
| <b>ZEY.90'.600-50</b> | 600          | 1,5              | 50            | 6,04                                       | 6,58                                     |

| Order Code            | Width A (mm) | Thickness T (mm) | Height H (mm) | Sendzimir Galvanization /Weight (kg/piece) | Hot Dip Galvanization /Weight (kg/piece) |
|-----------------------|--------------|------------------|---------------|--|--|
| <b>ZEY.90'.50-60</b>  | 50           | 1                | 60            | 0,40                                       | 0,44                                     |
| <b>ZEY.90'.100-60</b> | 100          | 1                | 60            | 0,55                                       | 0,60                                     |
| <b>ZEY.90'.150-60</b> | 150          | 1                | 60            | 0,74                                       | 0,81                                     |
| <b>ZEY.90'.200-60</b> | 200          | 1                | 60            | 0,96                                       | 1,05                                     |
| <b>ZEY.90'.250-60</b> | 250          | 1                | 60            | 1,23                                       | 1,34                                     |
| <b>ZEY.90'.300-60</b> | 300          | 1,5              | 60            | 1,83                                       | 2,00                                     |
| <b>ZEY.90'.400-60</b> | 400          | 1,5              | 60            | 3,37                                       | 3,67                                     |
| <b>ZEY.90'.500-60</b> | 500          | 1,5              | 60            | 4,66                                       | 5,08                                     |
| <b>ZEY.90'.600-60</b> | 600          | 1,5              | 60            | 6,18                                       | 6,74                                     |



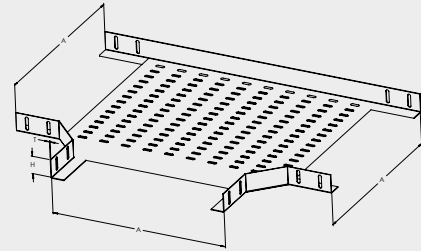
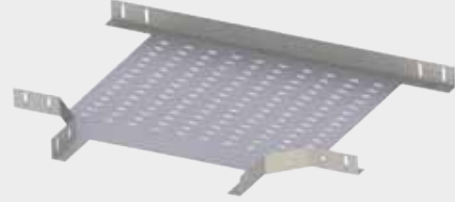
Mts weight tolerance ± %10  
Special size (dimensions) pls call us  
Pls define order codes when you offer or order

## HORIZONTAL TEES

| Order Code          | Width A (mm) | Thickness T (mm) | Height H (mm) | Sendzimir Galvanization /Weight (kg/piece) | Hot Dip Galvanization /Weight (kg/piece) |
|---------------------|--------------|------------------|---------------|--|--|
| <b>ZEY.T.50-40</b>  | 50           | 1                | 40            | 0,45                                       | 0,50                                     |
| <b>ZEY.T.100-40</b> | 100          | 1                | 40            | 0,61                                       | 0,66                                     |
| <b>ZEY.T.150-40</b> | 150          | 1                | 40            | 0,79                                       | 0,86                                     |
| <b>ZEY.T.200-40</b> | 200          | 1                | 40            | 1,02                                       | 1,11                                     |
| <b>ZEY.T.250-40</b> | 250          | 1                | 40            | 1,28                                       | 1,40                                     |
| <b>ZEY.T.300-40</b> | 300          | 1,5              | 40            | 1,90                                       | 2,07                                     |
| <b>ZEY.T.400-40</b> | 400          | 1,5              | 40            | 3,44                                       | 3,75                                     |
| <b>ZEY.T.500-40</b> | 500          | 1,5              | 40            | 4,73                                       | 5,16                                     |
| <b>ZEY.T.600-40</b> | 600          | 1,5              | 40            | 6,25                                       | 6,81                                     |

| Order Code          | Width A (mm) | Thickness T (mm) | Height H (mm) | Sendzimir Galvanization /Weight (kg/piece) | Hot Dip Galvanization /Weight (kg/piece) |
|---------------------|--------------|------------------|---------------|--|--|
| <b>ZEY.T.50-50</b>  | 50           | 1                | 50            | 0,50                                       | 0,55                                     |
| <b>ZEY.T.100-50</b> | 100          | 1                | 50            | 0,66                                       | 0,72                                     |
| <b>ZEY.T.150-50</b> | 150          | 1                | 50            | 0,85                                       | 0,93                                     |
| <b>ZEY.T.200-50</b> | 200          | 1                | 50            | 1,08                                       | 1,18                                     |
| <b>ZEY.T.250-50</b> | 250          | 1                | 50            | 1,35                                       | 1,47                                     |
| <b>ZEY.T.300-50</b> | 300          | 1,5              | 50            | 1,98                                       | 2,16                                     |
| <b>ZEY.T.400-50</b> | 400          | 1,5              | 50            | 3,56                                       | 3,88                                     |
| <b>ZEY.T.500-50</b> | 500          | 1,5              | 50            | 4,86                                       | 5,30                                     |
| <b>ZEY.T.600-50</b> | 600          | 1,5              | 50            | 6,39                                       | 6,96                                     |

| Order Code          | Width A (mm) | Thickness T (mm) | Height H (mm) | Sendzimir Galvanization /Weight (kg/piece) | Hot Dip Galvanization /Weight (kg/piece) |
|---------------------|--------------|------------------|---------------|--|--|
| <b>ZEY.T.50-60</b>  | 50           | 1                | 60            | 0,55                                       | 0,60                                     |
| <b>ZEY.T.100-60</b> | 100          | 1                | 60            | 0,71                                       | 0,78                                     |
| <b>ZEY.T.150-60</b> | 150          | 1                | 60            | 0,91                                       | 0,99                                     |
| <b>ZEY.T.200-60</b> | 200          | 1                | 60            | 1,14                                       | 1,24                                     |
| <b>ZEY.T.250-60</b> | 250          | 1                | 60            | 1,41                                       | 1,54                                     |
| <b>ZEY.T.300-60</b> | 300          | 1,5              | 60            | 2,06                                       | 2,25                                     |
| <b>ZEY.T.400-60</b> | 400          | 1,5              | 60            | 3,67                                       | 4,00                                     |
| <b>ZEY.T.500-60</b> | 500          | 1,5              | 60            | 4,98                                       | 5,43                                     |
| <b>ZEY.T.600-60</b> | 600          | 1,5              | 60            | 6,52                                       | 7,11                                     |



Mts weight tolerance : %10  
Special size (dimensions) pls call us  
Pls define order codes when you offer or order

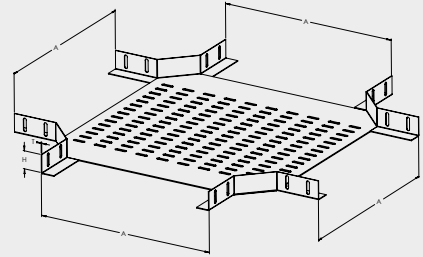
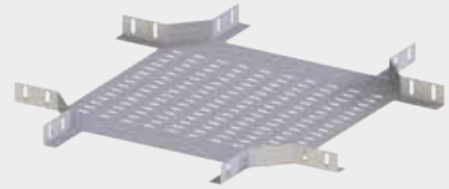
## NORMAL TYPE CABLE TRAYS

### HORIZONTAL CROSSING

| Order Code          | Width A (mm) | Thickness T (mm) | Height H (mm) | Sendzimir Galvanization /Weight (kg/piece) | Hot Dip Galvanization /Weight (kg/piece) |
|---------------------|--------------|------------------|---------------|--|--|
| <b>ZEY.X.50-40</b>  | 50           | 1                | 40            | 0,59                                       | 0,64                                     |
| <b>ZEY.X.100-40</b> | 100          | 1                | 40            | 0,74                                       | 0,81                                     |
| <b>ZEY.X.150-40</b> | 150          | 1                | 40            | 0,93                                       | 1,02                                     |
| <b>ZEY.X.200-40</b> | 200          | 1                | 40            | 1,16                                       | 1,27                                     |
| <b>ZEY.X.250-40</b> | 250          | 1                | 40            | 1,43                                       | 1,55                                     |
| <b>ZEY.X.300-40</b> | 300          | 1,5              | 40            | 2,07                                       | 2,26                                     |
| <b>ZEY.X.400-40</b> | 400          | 1,5              | 40            | 3,67                                       | 4,00                                     |
| <b>ZEY.X.500-40</b> | 500          | 1,5              | 40            | 4,96                                       | 5,41                                     |
| <b>ZEY.X.600-40</b> | 600          | 1,5              | 40            | 6,48                                       | 7,07                                     |

| Order Code          | Width A (mm) | Thickness T (mm) | Height H (mm) | Sendzimir Galvanization /Weight (kg/piece) | Hot Dip Galvanization /Weight (kg/piece) |
|---------------------|--------------|------------------|---------------|--|--|
| <b>ZEY.X.50-50</b>  | 50           | 1                | 50            | 0,65                                       | 0,71                                     |
| <b>ZEY.X.100-50</b> | 100          | 1                | 50            | 0,80                                       | 0,87                                     |
| <b>ZEY.X.150-50</b> | 150          | 1                | 50            | 0,99                                       | 1,08                                     |
| <b>ZEY.X.200-50</b> | 200          | 1                | 50            | 1,22                                       | 1,33                                     |
| <b>ZEY.X.250-50</b> | 250          | 1                | 50            | 1,48                                       | 1,62                                     |
| <b>ZEY.X.300-50</b> | 300          | 1,5              | 50            | 2,14                                       | 2,34                                     |
| <b>ZEY.X.400-50</b> | 400          | 1,5              | 50            | 3,75                                       | 4,09                                     |
| <b>ZEY.X.500-50</b> | 500          | 1,5              | 50            | 5,05                                       | 5,51                                     |
| <b>ZEY.X.600-50</b> | 600          | 1,5              | 50            | 6,57                                       | 7,16                                     |

| Order Code          | Width A (mm) | Thickness T (mm) | Height H (mm) | Sendzimir Galvanization /Weight (kg/piece) | Hot Dip Galvanization /Weight (kg/piece) |
|---------------------|--------------|------------------|---------------|--|--|
| <b>ZEY.X.50-60</b>  | 50           | 1                | 60            | 0,71                                       | 0,77                                     |
| <b>ZEY.X.100-60</b> | 100          | 1                | 60            | 0,86                                       | 0,94                                     |
| <b>ZEY.X.150-60</b> | 150          | 1                | 60            | 1,05                                       | 1,14                                     |
| <b>ZEY.X.200-60</b> | 200          | 1                | 60            | 1,28                                       | 1,39                                     |
| <b>ZEY.X.250-60</b> | 250          | 1                | 60            | 1,54                                       | 1,68                                     |
| <b>ZEY.X.300-60</b> | 300          | 1,5              | 60            | 2,77                                       | 3,02                                     |
| <b>ZEY.X.400-60</b> | 400          | 1,5              | 60            | 3,84                                       | 4,19                                     |
| <b>ZEY.X.500-60</b> | 500          | 1,5              | 60            | 5,14                                       | 5,60                                     |
| <b>ZEY.X.600-60</b> | 600          | 1,5              | 60            | 6,66                                       | 7,26                                     |



Mts weight tolerance : %10  
Special size (dimensions) pls call us  
Pls define order codes when you offer or order

## REDUCING ANGLES

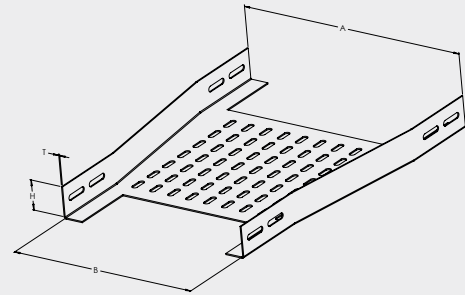
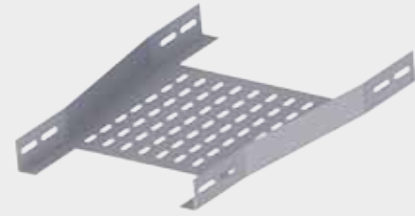
| Order Code            | Width B/A (mm) | Thickness T (mm) | Height H (mm) | Sendzimir Galvanization /Weight (kg/piece) | Hot Dip Galvanization /Weight (kg/piece) |
|-----------------------|----------------|------------------|---------------|--|--|
| <b>ZEY.RED.100-40</b> | 50/100         | 1                | 40            | 0,37                                       | 0,40                                     |
| <b>ZEY.RED.150-40</b> | 100/150        | 1                | 40            | 0,53                                       | 0,58                                     |
| <b>ZEY.RED.200-40</b> | 150/200        | 1                | 40            | 0,73                                       | 0,80                                     |
| <b>ZEY.RED.250-40</b> | 200/250        | 1                | 40            | 0,97                                       | 1,06                                     |
| <b>ZEY.RED.300-40</b> | 250/300        | 1                | 40            | 1,87                                       | 2,04                                     |
| <b>ZEY.RED.400-40</b> | 300/400        | 1,5              | 40            | 2,87                                       | 3,13                                     |
| <b>ZEY.RED.500-40</b> | 400/500        | 1,5              | 40            | 4,10                                       | 4,47                                     |
| <b>ZEY.RED.600-40</b> | 500/600        | 1,5              | 40            | 5,44                                       | 5,93                                     |

| Order Code            | Width B/A (mm) | Thickness T (mm) | Height H (mm) | Sendzimir Galvanization /Weight (kg/piece) | Hot Dip Galvanization /Weight (kg/piece) |
|-----------------------|----------------|------------------|---------------|--|--|
| <b>ZEY.RED.100-50</b> | 50/100         | 1                | 50            | 0,41                                       | 0,45                                     |
| <b>ZEY.RED.150-50</b> | 100/150        | 1                | 50            | 0,58                                       | 0,63                                     |
| <b>ZEY.RED.200-50</b> | 150/200        | 1                | 50            | 0,79                                       | 0,86                                     |
| <b>ZEY.RED.250-50</b> | 200/250        | 1                | 50            | 1,04                                       | 1,13                                     |
| <b>ZEY.RED.300-50</b> | 250/300        | 1                | 50            | 1,58                                       | 1,72                                     |
| <b>ZEY.RED.400-50</b> | 300/400        | 1,5              | 50            | 3,00                                       | 3,27                                     |
| <b>ZEY.RED.500-50</b> | 400/500        | 1,5              | 50            | 4,25                                       | 4,63                                     |
| <b>ZEY.RED.600-50</b> | 500/600        | 1,5              | 50            | 5,59                                       | 6,10                                     |

| Order Code            | Width B/A (mm) | Thickness T (mm) | Height H (mm) | Sendzimir Galvanization /Weight (kg/piece) | Hot Dip Galvanization /Weight (kg/piece) |
|-----------------------|----------------|------------------|---------------|--|--|
| <b>ZEY.RED.100-60</b> | 50/100         | 1                | 60            | 0,45                                       | 0,49                                     |
| <b>ZEY.RED.150-60</b> | 100/150        | 1                | 60            | 0,63                                       | 0,68                                     |
| <b>ZEY.RED.200-60</b> | 150/200        | 1                | 60            | 0,84                                       | 0,92                                     |
| <b>ZEY.RED.250-60</b> | 200/250        | 1                | 60            | 1,10                                       | 1,20                                     |
| <b>ZEY.RED.300-60</b> | 250/300        | 1                | 60            | 1,67                                       | 1,82                                     |
| <b>ZEY.RED.400-60</b> | 300/400        | 1,5              | 60            | 3,12                                       | 3,40                                     |
| <b>ZEY.RED.500-60</b> | 400/500        | 1,5              | 60            | 4,40                                       | 4,79                                     |
| <b>ZEY.RED.600-60</b> | 500/600        | 1,5              | 60            | 5,75                                       | 6,27                                     |

## Z TYPE REDUCER

| Order Code          | Width B/A (mm) | Thickness T (mm) | Height H (mm) |
|---------------------|----------------|------------------|---------------|
| <b>ZEY.ZRED.100</b> | 50/100         | 1,5              | 40-50-60      |
| <b>ZEY.ZRED.150</b> | 100/150        | 1,5              | 40-50-60      |
| <b>ZEY.ZRED.200</b> | 150/200        | 1,5              | 40-50-60      |
| <b>ZEY.ZRED.250</b> | 200/250        | 1,5              | 40-50-60      |
| <b>ZEY.ZRED.300</b> | 250/300        | 1,5              | 40-50-60      |
| <b>ZEY.ZRED.400</b> | 300/400        | 1,5              | 40-50-60      |
| <b>ZEY.ZRED.500</b> | 400/500        | 1,5              | 40-50-60      |
| <b>ZEY.ZRED.600</b> | 500/600        | 1,5              | 40-50-60      |



Mts weight tolerance ± %10  
Special size (dimensions) pls call us  
Pls define order codes when you offer or order

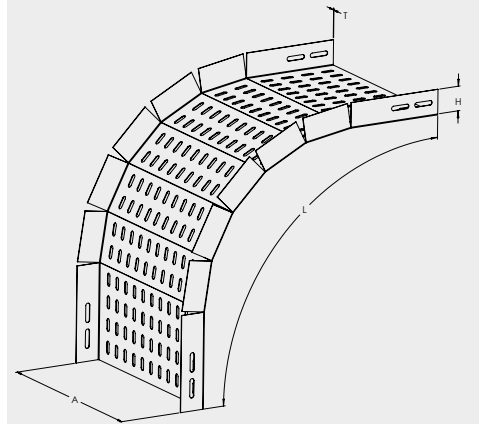
## NORMAL TYPE CABLE TRAYS

### INTERNAL AND EXTERNAL BEND

| Order Code          | Width A (mm) | Thickness T (mm) | Height H (mm) | Sendzimir Galvanization /Weight (kg/piece) | Hot Dip Galvanization /Weight (kg/piece) |
|---------------------|--------------|------------------|---------------|--|--|
| <b>ZEY.F.50-40</b>  | 50           | 1                | 40            | 0,67                                       | 0,73                                     |
| <b>ZEY.F.100-40</b> | 100          | 1                | 40            | 0,89                                       | 0,98                                     |
| <b>ZEY.F.150-40</b> | 150          | 1                | 40            | 1,12                                       | 1,22                                     |
| <b>ZEY.F.200-40</b> | 200          | 1                | 40            | 1,34                                       | 1,46                                     |
| <b>ZEY.F.250-40</b> | 250          | 1                | 40            | 1,57                                       | 1,71                                     |
| <b>ZEY.F.300-40</b> | 300          | 1,5              | 40            | 2,68                                       | 2,93                                     |
| <b>ZEY.F.400-40</b> | 400          | 1,5              | 40            | 3,36                                       | 3,66                                     |
| <b>ZEY.F.500-40</b> | 500          | 1,5              | 40            | 4,03                                       | 4,39                                     |
| <b>ZEY.F.600-40</b> | 600          | 1,5              | 40            | 4,70                                       | 5,12                                     |

| Order Code          | Width A (mm) | Thickness T (mm) | Height H (mm) | Sendzimir Galvanization /Weight (kg/piece) | Hot Dip Galvanization /Weight (kg/piece) |
|---------------------|--------------|------------------|---------------|--|--|
| <b>ZEY.F.50-50</b>  | 50           | 1                | 50            | 0,76                                       | 0,83                                     |
| <b>ZEY.F.100-50</b> | 100          | 1                | 50            | 0,98                                       | 1,07                                     |
| <b>ZEY.F.150-50</b> | 150          | 1                | 50            | 1,21                                       | 1,32                                     |
| <b>ZEY.F.200-50</b> | 200          | 1                | 50            | 1,43                                       | 1,56                                     |
| <b>ZEY.F.250-50</b> | 250          | 1                | 50            | 1,66                                       | 1,80                                     |
| <b>ZEY.F.300-50</b> | 300          | 1,5              | 50            | 2,82                                       | 3,07                                     |
| <b>ZEY.F.400-50</b> | 400          | 1,5              | 50            | 3,49                                       | 3,80                                     |
| <b>ZEY.F.500-50</b> | 500          | 1,5              | 50            | 4,16                                       | 4,54                                     |
| <b>ZEY.F.600-50</b> | 600          | 1,5              | 50            | 4,83                                       | 5,27                                     |

| Order Code          | Width A (mm) | Thickness T (mm) | Height H (mm) | Sendzimir Galvanization /Weight (kg/piece) | Hot Dip Galvanization /Weight (kg/piece) |
|---------------------|--------------|------------------|---------------|--|--|
| <b>ZEY.F.50-60</b>  | 50           | 1                | 60            | 0,85                                       | 0,93                                     |
| <b>ZEY.F.100-60</b> | 100          | 1                | 60            | 1,07                                       | 1,17                                     |
| <b>ZEY.F.150-60</b> | 150          | 1                | 60            | 1,30                                       | 1,41                                     |
| <b>ZEY.F.200-60</b> | 200          | 1                | 60            | 1,52                                       | 1,66                                     |
| <b>ZEY.F.250-60</b> | 250          | 1                | 60            | 1,75                                       | 1,90                                     |
| <b>ZEY.F.300-60</b> | 300          | 1,5              | 60            | 2,95                                       | 3,22                                     |
| <b>ZEY.F.400-60</b> | 400          | 1,5              | 60            | 3,62                                       | 3,95                                     |
| <b>ZEY.F.500-60</b> | 500          | 1,5              | 60            | 4,30                                       | 4,68                                     |
| <b>ZEY.F.600-60</b> | 600          | 1,5              | 60            | 4,97                                       | 5,41                                     |



Mts weight tolerance  $\pm$  %10  
 Special size (dimensions) pls call us  
 Pls define order codes when you offer or order

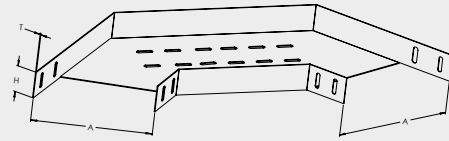


## HORIZONTAL BENDS 135°

| Order Code             | Width A (mm) | Thickness T (mm) | Height H (mm) | Sendzimir Galvanization /Weight (kg/piece) | Hot Dip Galvanization /Weight (kg/piece) |
|------------------------|--------------|------------------|---------------|--|--|
| <b>ZEY.135'.50-40</b>  | 50           | 1                | 40            | 0,35                                       | 0,38                                     |
| <b>ZEY.135'.100-40</b> | 100          | 1                | 40            | 0,49                                       | 0,54                                     |
| <b>ZEY.135'.150-40</b> | 150          | 1                | 40            | 0,68                                       | 0,74                                     |
| <b>ZEY.135'.200-40</b> | 200          | 1                | 40            | 0,90                                       | 0,98                                     |
| <b>ZEY.135'.250-40</b> | 250          | 1                | 40            | 1,17                                       | 1,27                                     |
| <b>ZEY.135'.300-40</b> | 300          | 1,5              | 40            | 1,29                                       | 1,40                                     |
| <b>ZEY.135'.400-40</b> | 400          | 1,5              | 40            | 3,30                                       | 3,60                                     |
| <b>ZEY.135'.500-40</b> | 500          | 1,5              | 40            | 4,63                                       | 5,04                                     |
| <b>ZEY.135'.600-40</b> | 600          | 1,5              | 40            | 6,19                                       | 6,75                                     |

| Order Code             | Width A (mm) | Thickness T (mm) | Height H (mm) | Sendzimir Galvanization /Weight (kg/piece) | Hot Dip Galvanization /Weight (kg/piece) |
|------------------------|--------------|------------------|---------------|--|--|
| <b>ZEY.135'.50-50</b>  | 50           | 1                | 50            | 0,38                                       | 0,42                                     |
| <b>ZEY.135'.100-50</b> | 100          | 1                | 50            | 0,54                                       | 0,58                                     |
| <b>ZEY.135'.150-50</b> | 150          | 1                | 50            | 0,73                                       | 0,79                                     |
| <b>ZEY.135'.200-50</b> | 200          | 1                | 50            | 0,96                                       | 1,04                                     |
| <b>ZEY.135'.250-50</b> | 250          | 1                | 50            | 1,23                                       | 1,34                                     |
| <b>ZEY.135'.300-50</b> | 300          | 1,5              | 50            | 1,85                                       | 2,01                                     |
| <b>ZEY.135'.400-50</b> | 400          | 1,5              | 50            | 3,42                                       | 3,72                                     |
| <b>ZEY.135'.500-50</b> | 500          | 1,5              | 50            | 4,76                                       | 5,19                                     |
| <b>ZEY.135'.600-50</b> | 600          | 1,5              | 50            | 6,34                                       | 6,91                                     |

| Order Code             | Width A (mm) | Thickness T (mm) | Height H (mm) | Sendzimir Galvanization /Weight (kg/piece) | Hot Dip Galvanization /Weight (kg/piece) |
|------------------------|--------------|------------------|---------------|--|--|
| <b>ZEY.135'.50-60</b>  | 50           | 1                | 60            | 0,42                                       | 0,46                                     |
| <b>ZEY.135'.100-60</b> | 100          | 1                | 60            | 0,58                                       | 0,63                                     |
| <b>ZEY.135'.150-60</b> | 150          | 1                | 60            | 0,78                                       | 0,85                                     |
| <b>ZEY.135'.200-60</b> | 200          | 1                | 60            | 1,01                                       | 1,10                                     |
| <b>ZEY.135'.250-60</b> | 250          | 1                | 60            | 1,29                                       | 1,40                                     |
| <b>ZEY.135'.300-60</b> | 300          | 1,5              | 60            | 1,93                                       | 2,10                                     |
| <b>ZEY.135'.400-60</b> | 400          | 1,5              | 60            | 3,53                                       | 3,85                                     |
| <b>ZEY.135'.500-60</b> | 500          | 1,5              | 60            | 4,90                                       | 5,34                                     |
| <b>ZEY.135'.600-60</b> | 600          | 1,5              | 60            | 6,49                                       | 7,08                                     |



Mts weight tolerance  $\pm$  %10  
Special size (dimensions) pls call us  
Pls define order codes when you offer or order

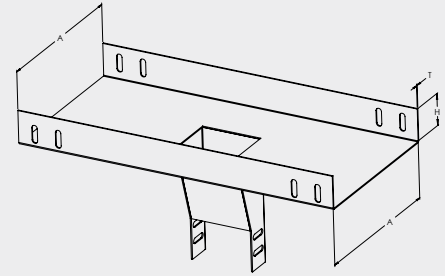
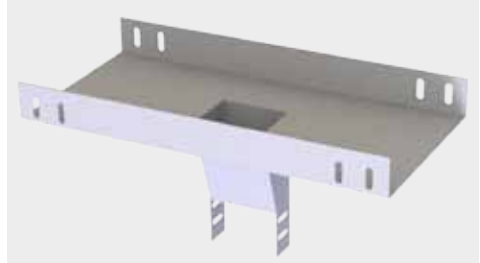
## NORMAL TYPE CABLE TRAYS

### VERTICAL TEES

| Order Code           | Width A (mm) | Thickness T (mm) | Height H (mm) | Sendzimir Galvanization /Weight (kg/piece) | Hot Dip Galvanization /Weight (kg/piece) |
|----------------------|--------------|------------------|---------------|--|--|
| <b>ZEY.DT.50-40</b>  | 50           | 1                | 40            | 1,05                                       | 1,16                                     |
| <b>ZEY.DT.100-40</b> | 100          | 1                | 40            | 1,19                                       | 1,31                                     |
| <b>ZEY.DT.150-40</b> | 150          | 1                | 40            | 1,36                                       | 1,50                                     |
| <b>ZEY.DT.200-40</b> | 200          | 1                | 40            | 1,74                                       | 1,91                                     |
| <b>ZEY.DT.250-40</b> | 250          | 1                | 40            | 2,10                                       | 2,31                                     |
| <b>ZEY.DT.300-40</b> | 300          | 1,5              | 40            | 2,44                                       | 2,68                                     |
| <b>ZEY.DT.400-40</b> | 400          | 1,5              | 40            | 3,14                                       | 3,45                                     |
| <b>ZEY.DT.500-40</b> | 500          | 1,5              | 40            | 3,83                                       | 4,21                                     |
| <b>ZEY.DT.600-40</b> | 600          | 1,5              | 40            | 4,53                                       | 4,98                                     |

| Order Code           | Width A (mm) | Thickness T (mm) | Height H (mm) | Sendzimir Galvanization /Weight (kg/piece) | Hot Dip Galvanization /Weight (kg/piece) |
|----------------------|--------------|------------------|---------------|--|--|
| <b>ZEY.DT.50-50</b>  | 50           | 1                | 50            | 1,10                                       | 1,21                                     |
| <b>ZEY.DT.100-50</b> | 100          | 1                | 50            | 1,25                                       | 1,37                                     |
| <b>ZEY.DT.150-50</b> | 150          | 1                | 50            | 1,43                                       | 1,57                                     |
| <b>ZEY.DT.200-50</b> | 200          | 1                | 50            | 1,83                                       | 2,01                                     |
| <b>ZEY.DT.250-50</b> | 250          | 1                | 50            | 2,21                                       | 2,43                                     |
| <b>ZEY.DT.300-50</b> | 300          | 1,5              | 50            | 2,56                                       | 2,82                                     |
| <b>ZEY.DT.400-50</b> | 400          | 1,5              | 50            | 3,30                                       | 3,63                                     |
| <b>ZEY.DT.500-50</b> | 500          | 1,5              | 50            | 4,02                                       | 4,42                                     |
| <b>ZEY.DT.600-50</b> | 600          | 1,5              | 50            | 4,76                                       | 5,23                                     |

| Order Code           | Width A (mm) | Thickness T (mm) | Height H (mm) | Sendzimir Galvanization /Weight (kg/piece) | Hot Dip Galvanization /Weight (kg/piece) |
|----------------------|--------------|------------------|---------------|--|--|
| <b>ZEY.DT.50-60</b>  | 50           | 1                | 60            | 1,16                                       | 1,27                                     |
| <b>ZEY.DT.100-60</b> | 100          | 1                | 60            | 1,31                                       | 1,44                                     |
| <b>ZEY.DT.150-60</b> | 150          | 1                | 60            | 1,50                                       | 1,65                                     |
| <b>ZEY.DT.200-60</b> | 200          | 1                | 60            | 1,92                                       | 2,11                                     |
| <b>ZEY.DT.250-60</b> | 250          | 1                | 60            | 2,32                                       | 2,55                                     |
| <b>ZEY.DT.300-60</b> | 300          | 1,5              | 60            | 2,69                                       | 2,96                                     |
| <b>ZEY.DT.400-60</b> | 400          | 1,5              | 60            | 3,46                                       | 3,81                                     |
| <b>ZEY.DT.500-60</b> | 500          | 1,5              | 60            | 4,22                                       | 4,64                                     |
| <b>ZEY.DT.600-60</b> | 600          | 1,5              | 60            | 4,99                                       | 5,49                                     |



Mts weight tolerance : %10  
Special size (dimensions) pls call us  
Pls define order codes when you offer or order

## NORMAL TYPE CABLE TRAY ACCESSORIES

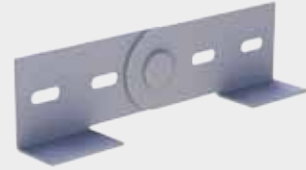
### STRAIGHT JOINTING PIECE

| Order Code | Thickness T (mm) | Height H (mm) | Sendzimir Galvanization /Weight (kg/piece) | Hot Dip Galvanization /Weight (kg/piece) |
|------------|------------------|---------------|--|--|
| ZEY.EKP.40 | 1,5              | 40            | 0,14                                       | 0,155                                    |
| ZEY.EKP.50 | 1,5              | 50            | 0,16                                       | 0,181                                    |
| ZEY.EKP.60 | 1,5              | 60            | 0,19                                       | 0,207                                    |



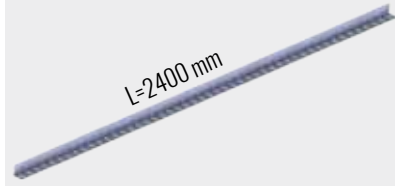
### HINGE (LEVELING) PIECE

| Order Code  | Thickness T (mm) | Height H (mm) | Sendzimir Galvanization /Weight (kg/piece) | Hot Dip Galvanization /Weight (kg/piece) |
|-------------|------------------|---------------|--|--|
| ZEY.SEKP.40 | 1,5              | 40            | 0,14                                       | 0,155                                    |
| ZEY.SEKP.50 | 1,5              | 50            | 0,15                                       | 0,181                                    |
| ZEY.SEKP.60 | 1,5              | 60            | 0,17                                       | 0,207                                    |



### SEPERATOR

| Order Code | Thickness T (mm) | Height H (mm) | Sendzimir Galvanization /Weight (kg/piece) | Hot Dip Galvanization /Weight (kg/piece) |
|------------|------------------|---------------|--|--|
| ZEY.SEP.40 | 1,5              | 40            | 0,70                                       | 0,77                                     |
| ZEY.SEP.50 | 1,5              | 50            | 0,82                                       | 0,90                                     |
| ZEY.SEP.60 | 1,5              | 60            | 0,93                                       | 1,02                                     |



### END CAP

| Order Code | Thickness T (mm) | Height H (mm) | Sendzimir Galvanization /Weight (kg/piece) | Hot Dip Galvanization /Weight (kg/piece) |
|------------|------------------|---------------|--|--|
| ZEY.KS.50  | 1                | 50            | 0,04                                       | 0,044                                    |
| ZEY.KS.100 | 1                | 100           | 0,06                                       | 0,066                                    |
| ZEY.KS.150 | 1                | 150           | 0,07                                       | 0,077                                    |
| ZEY.KS.200 | 1                | 200           | 0,09                                       | 0,099                                    |
| ZEY.KS.250 | 1                | 250           | 0,10                                       | 0,110                                    |
| ZEY.KS.300 | 1,2              | 300           | 0,14                                       | 0,154                                    |
| ZEY.KS.400 | 1,5              | 400           | 0,22                                       | 0,242                                    |
| ZEY.KS.500 | 1,5              | 500           | 0,27                                       | 0,297                                    |
| ZEY.KS.600 | 1,5              | 600           | 0,32                                       | 0,352                                    |



### COVER CLIPS

| Order Code     | Thickness T (mm) | Height H (mm) | Sendzimir Galvanization /Weight (kg/piece) |
|----------------|------------------|---------------|--|
| ZEY.KELEPCE    | 1,5              | 40            | 0,021                                      |
| ZEY.KELEPCE/50 | 1,5              | 50            | 0,024                                      |
| ZEY.KELEPCE/60 | 1,5              | 60            | 0,026                                      |



## TRAYS COVERS

### COVERS

| Order Code       | Lenght L (mm) | Width A (mm) | Thickness T (mm) | Height H (mm) | Sendzimir Galvanization /Weight (kg/mt) | Hot Dip Galvanization /Weight (kg/mt) |
|------------------|---------------|--------------|------------------|---------------|---|---------------------------------------|
| ZEY.KK.50-10-10  | 2400          | 50           | 1                | 10            | 0,55                                    | 0,61                                  |
| ZEY.KK.100-10-10 | 2400          | 100          | 1                | 10            | 0,94                                    | 1,03                                  |
| ZEY.KK.150-10-10 | 2400          | 150          | 1                | 10            | 1,33                                    | 1,46                                  |
| ZEY.KK.200-10-10 | 2400          | 200          | 1                | 10            | 1,72                                    | 1,89                                  |
| ZEY.KK.250-10-10 | 2400          | 250          | 1                | 10            | 2,11                                    | 2,32                                  |
| ZEY.KK.300-12-10 | 2400          | 300          | 1,2              | 10            | 3,01                                    | 3,31                                  |
| ZEY.KK.400-15-10 | 2400          | 400          | 1,5              | 10            | 4,94                                    | 5,43                                  |
| ZEY.KK.500-15-10 | 2400          | 500          | 1,5              | 10            | 6,12                                    | 6,73                                  |
| ZEY.KK.600-15-10 | 2400          | 600          | 1,5              | 10            | 7,30                                    | 8,03                                  |



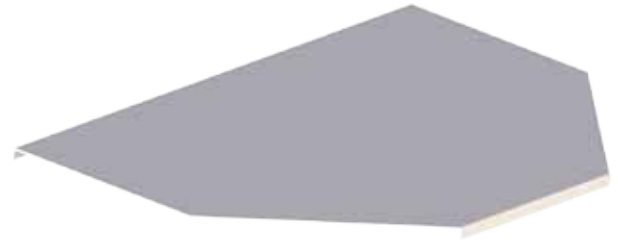
### COVERS OF HORIZONTAL BENDS 90°

| Order Code      | Width A (mm) | Thickness T (mm) | Height H (mm) | Sendzimir Galvanization /Weight (kg/piece) | Hot Dip Galvanization /Weight (kg/piece) |
|-----------------|--------------|------------------|---------------|--|--|
| ZEY.90°K.50-10  | 50           | 1                | 10            | 0,23                                       | 0,25                                     |
| ZEY.90°K.100-10 | 100          | 1                | 10            | 0,43                                       | 0,47                                     |
| ZEY.90°K.150-10 | 150          | 1                | 10            | 0,68                                       | 0,75                                     |
| ZEY.90°K.200-10 | 200          | 1                | 10            | 0,99                                       | 1,09                                     |
| ZEY.90°K.250-10 | 250          | 1                | 10            | 1,36                                       | 1,50                                     |
| ZEY.90°K.300-10 | 300          | 1,2              | 10            | 1,79                                       | 1,97                                     |
| ZEY.90°K.400-10 | 400          | 1,5              | 10            | 2,83                                       | 3,11                                     |
| ZEY.90°K.500-10 | 500          | 1,5              | 10            | 4,10                                       | 4,51                                     |
| ZEY.90°K.600-10 | 600          | 1,5              | 10            | 5,61                                       | 6,17                                     |



### COVERS OF HORIZONTAL TEES

| Order Code    | Width A (mm) | Thickness T (mm) | Height H (mm) | Sendzimir Galvanization /Weight (kg/piece) | Hot Dip Galvanization /Weight (kg/piece) |
|---------------|--------------|------------------|---------------|--|--|
| ZEY.TK.50-10  | 50           | 1                | 10            | 0,32                                       | 0,35                                     |
| ZEY.TK.100-10 | 100          | 1                | 10            | 0,52                                       | 0,57                                     |
| ZEY.TK.150-10 | 150          | 1                | 10            | 0,79                                       | 0,87                                     |
| ZEY.TK.200-10 | 200          | 1                | 10            | 1,12                                       | 1,23                                     |
| ZEY.TK.250-10 | 250          | 1                | 10            | 1,45                                       | 1,60                                     |
| ZEY.TK.300-10 | 300          | 1,2              | 10            | 1,94                                       | 2,13                                     |
| ZEY.TK.400-10 | 400          | 1,5              | 10            | 2,98                                       | 3,28                                     |
| ZEY.TK.500-10 | 500          | 1,5              | 10            | 4,25                                       | 4,68                                     |
| ZEY.TK.600-10 | 600          | 1,5              | 10            | 5,75                                       | 6,32                                     |



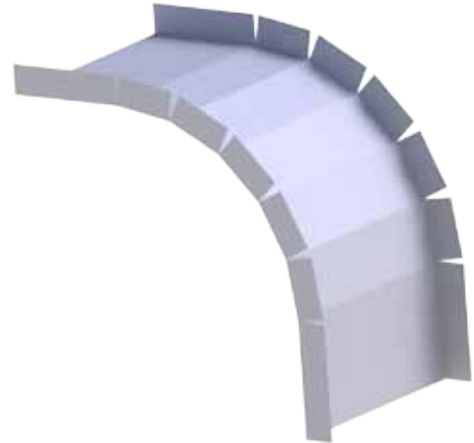
## COVERS OF CROSSING

| Order Code    | Width A (mm) | Thickness T (mm) | Height H (mm) | Sendzimir Galvanization /Weight (kg/piece) | Hot Dip Galvanization /Weight (kg/piece) |
|---------------|--------------|------------------|---------------|--|--|
| ZEY.XK.50-10  | 50           | 1                | 10            | 0,25                                       | 0,28                                     |
| ZEY.XK.100-10 | 100          | 1                | 10            | 0,39                                       | 0,43                                     |
| ZEY.XK.150-10 | 150          | 1                | 10            | 0,58                                       | 0,64                                     |
| ZEY.XK.200-10 | 200          | 1                | 10            | 0,81                                       | 0,89                                     |
| ZEY.XK.250-10 | 250          | 1                | 10            | 1,08                                       | 1,18                                     |
| ZEY.XK.300-10 | 300          | 1,2              | 10            | 2,07                                       | 2,28                                     |
| ZEY.XK.400-10 | 400          | 1,5              | 10            | 3,14                                       | 3,46                                     |
| ZEY.XK.500-10 | 500          | 1,5              | 10            | 4,44                                       | 4,88                                     |
| ZEY.XK.600-10 | 600          | 1,5              | 10            | 5,96                                       | 6,56                                     |



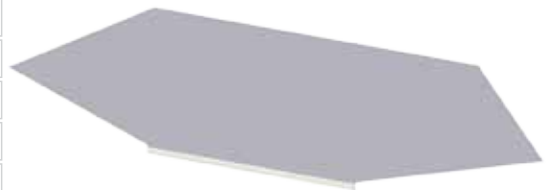
## COVERS OF INTERNAL AND EXTERNAL BENDS

| Order Code    | Width A (mm) | Thickness T (mm) | Height H (mm) | Sendzimir Galvanization /Weight (kg/piece) | Hot Dip Galvanization /Weight (kg/piece) |
|---------------|--------------|------------------|---------------|--|--|
| ZEY.FK.50-10  | 50           | 1                | 10            | 0,67                                       | 0,74                                     |
| ZEY.FK.100-10 | 100          | 1                | 10            | 0,89                                       | 0,98                                     |
| ZEY.FK.150-10 | 150          | 1                | 10            | 1,12                                       | 1,23                                     |
| ZEY.FK.200-10 | 200          | 1                | 10            | 1,34                                       | 1,48                                     |
| ZEY.FK.250-10 | 250          | 1                | 10            | 1,57                                       | 1,72                                     |
| ZEY.FK.300-10 | 300          | 1,2              | 10            | 2,15                                       | 2,36                                     |
| ZEY.FK.400-10 | 400          | 1,5              | 10            | 3,36                                       | 3,69                                     |
| ZEY.FK.500-10 | 500          | 1,5              | 10            | 4,03                                       | 4,43                                     |
| ZEY.FK.600-10 | 600          | 1,5              | 10            | 4,70                                       | 5,17                                     |



## COVERS OF HORIZONTAL BENDS 135°

| Order Code       | Width A (mm) | Thickness T (mm) | Height H (mm) | Sendzimir Galvanization /Weight (kg/piece) | Hot Dip Galvanization /Weight (kg/piece) |
|------------------|--------------|------------------|---------------|--|--|
| ZEY.135'K.50-10  | 50           | 1                | 10            | 0,25                                       | 0,28                                     |
| ZEY.135'K.100-10 | 100          | 1                | 10            | 0,47                                       | 0,51                                     |
| ZEY.135'K.150-10 | 150          | 1                | 10            | 0,75                                       | 0,82                                     |
| ZEY.135'K.200-10 | 200          | 1                | 10            | 1,09                                       | 1,20                                     |
| ZEY.135'K.250-10 | 250          | 1                | 10            | 1,50                                       | 1,65                                     |
| ZEY.135'K.300-10 | 300          | 1,2              | 10            | 1,97                                       | 2,17                                     |
| ZEY.135'K.400-10 | 400          | 1,5              | 10            | 3,11                                       | 3,42                                     |
| ZEY.135'K.500-10 | 500          | 1,5              | 10            | 4,51                                       | 4,96                                     |
| ZEY.135'K.600-10 | 600          | 1,5              | 10            | 6,17                                       | 6,78                                     |



## CABLE TRAY FOR POLE

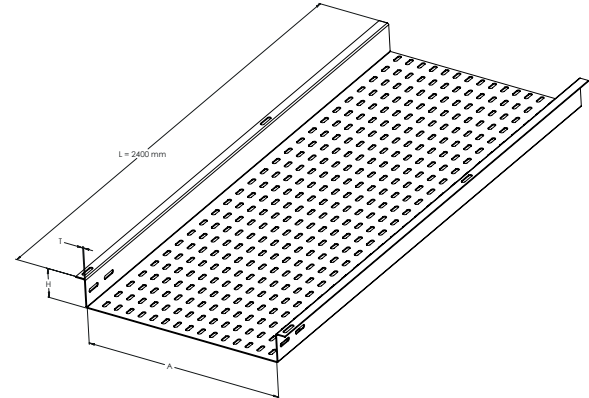
### CABLE TRAY FOR POLE

| Order Code         | Width A (mm) | Thickness T (mm) | Height H (mm) | Sendzimir Galvanization /Weight (kg/mt) | Hot Dip Galvanization /Weight (kg/mt) |
|--------------------|--------------|------------------|---------------|---|---------------------------------------|
| ZEY.DKK.200-15-100 | 200          | 1,5              | 100           | 4,66                                    | 5,08                                  |
| ZEY.DKK.250-15-100 | 250          | 1,5              | 100           | 5,19                                    | 5,66                                  |
| ZEY.DKK.300-15-100 | 300          | 1,5              | 100           | 5,72                                    | 6,24                                  |
| ZEY.DKK.400-20-100 | 400          | 2                | 100           | 9,04                                    | 9,86                                  |
| ZEY.DKK.500-20-100 | 500          | 2                | 100           | 10,46                                   | 11,40                                 |
| ZEY.DKK.600-20-100 | 600          | 2                | 100           | 11,87                                   | 12,94                                 |



### POLE TRAY'S COVER

| Order Code         | Width A (mm) | Thickness T (mm) | Height H (mm) | Sendzimir Galvanization /Weight (kg/mt) | Hot Dip Galvanization /Weight (kg/mt) |
|--------------------|--------------|------------------|---------------|---|---------------------------------------|
| ZEY.DKKK.200-15-15 | 200          | 1,5              | 15            | 2,54                                    | 2,77                                  |
| ZEY.DKKK.250-15-15 | 250          | 1,5              | 15            | 2,97                                    | 3,23                                  |
| ZEY.DKKK.300-15-15 | 300          | 1,5              | 15            | 3,60                                    | 3,93                                  |
| ZEY.DKKK.400-15-15 | 400          | 1,5              | 15            | 4,66                                    | 5,08                                  |
| ZEY.DKKK.500-15-15 | 500          | 1,5              | 15            | 5,72                                    | 6,24                                  |
| ZEY.DKKK.600-15-15 | 600          | 1,5              | 15            | 6,78                                    | 7,39                                  |



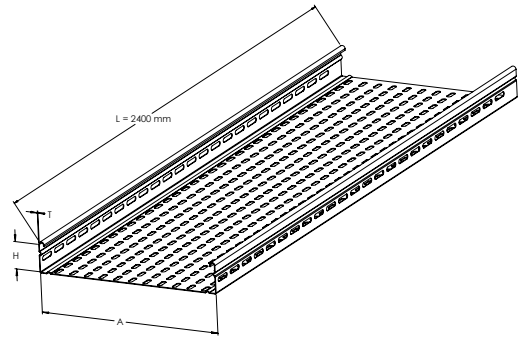
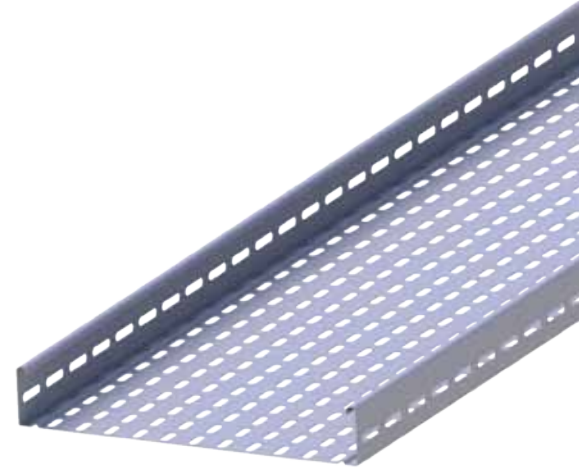
Mts weight tolerance : %10  
 Standard Length 2400 mm  
 Special size (dimensions) pls call us  
 Pls define order codes when you offer or order

## HEAVY DUTY CABLE TRAYS

### HEAVY DUTY CABLE TRAYS

H:40 mm

| Order Code       | Width A (mm) | Thickness T (mm) | Height H (mm) | Sendzimir Galvanization /Weight (kg/mt) | Hot Dip Galvanization /Weight (kg/mt) |
|------------------|--------------|------------------|---------------|---|---------------------------------------|
| ZEY.AK.50-10-40  | 50           | 1                | 40            | 1,07                                    | 1,16                                  |
| ZEY.AK.50-12-40  | 50           | 1,2              | 40            | 1,26                                    | 1,37                                  |
| ZEY.AK.50-15-40  | 50           | 1,5              | 40            | 1,61                                    | 1,75                                  |
| ZEY.AK.50-20-40  | 50           | 2                | 40            | 2,13                                    | 2,33                                  |
| ZEY.AK.100-10-40 | 100          | 1                | 40            | 1,44                                    | 1,57                                  |
| ZEY.AK.100-12-40 | 100          | 1,2              | 40            | 1,60                                    | 1,74                                  |
| ZEY.AK.100-15-40 | 100          | 1,5              | 40            | 2,07                                    | 2,25                                  |
| ZEY.AK.100-20-40 | 100          | 2                | 40            | 2,72                                    | 2,97                                  |
| ZEY.AK.150-10-40 | 150          | 1                | 40            | 1,79                                    | 1,95                                  |
| ZEY.AK.150-12-40 | 150          | 1,2              | 40            | 2,13                                    | 2,32                                  |
| ZEY.AK.150-15-40 | 150          | 1,5              | 40            | 2,56                                    | 2,79                                  |
| ZEY.AK.150-20-40 | 150          | 2                | 40            | 3,41                                    | 3,72                                  |
| ZEY.AK.200-10-40 | 200          | 1                | 40            | 2,16                                    | 2,35                                  |
| ZEY.AK.200-12-40 | 200          | 1,2              | 40            | 2,61                                    | 2,84                                  |
| ZEY.AK.200-15-40 | 200          | 1,5              | 40            | 2,94                                    | 3,20                                  |
| ZEY.AK.200-20-40 | 200          | 2                | 40            | 4,09                                    | 4,46                                  |
| ZEY.AK.250-10-40 | 250          | 1                | 40            | 2,45                                    | 2,67                                  |
| ZEY.AK.250-12-40 | 250          | 1,2              | 40            | 3,02                                    | 3,29                                  |
| ZEY.AK.250-15-40 | 250          | 1,5              | 40            | 3,58                                    | 3,90                                  |
| ZEY.AK.250-20-40 | 250          | 2                | 40            | 4,77                                    | 5,20                                  |
| ZEY.AK.300-12-40 | 300          | 1,2              | 40            | 3,36                                    | 3,66                                  |
| ZEY.AK.300-15-40 | 300          | 1,5              | 40            | 3,96                                    | 4,31                                  |
| ZEY.AK.300-20-40 | 300          | 2                | 40            | 5,45                                    | 5,94                                  |
| ZEY.AK.400-15-40 | 400          | 1,5              | 40            | 4,67                                    | 5,09                                  |
| ZEY.AK.400-20-40 | 400          | 2                | 40            | 6,83                                    | 7,45                                  |
| ZEY.AK.500-15-40 | 500          | 1,5              | 40            | 6,22                                    | 6,78                                  |
| ZEY.AK.500-20-40 | 500          | 2                | 40            | 8,19                                    | 8,93                                  |
| ZEY.AK.600-15-40 | 600          | 1,5              | 40            | 7,28                                    | 7,93                                  |
| ZEY.AK.600-20-40 | 600          | 2                | 40            | 9,55                                    | 10,41                                 |



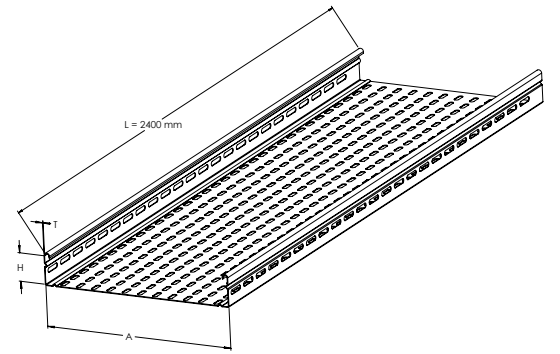
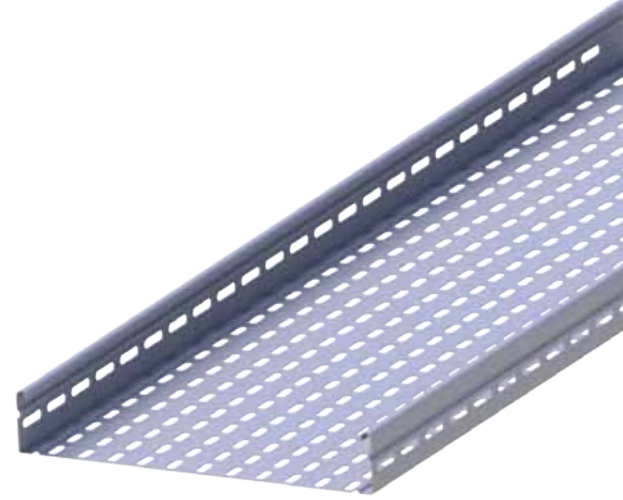
Mts weight tolerance : %10  
 Standard Length 2400 mm  
 Special size (dimensions) pls call us  
 Pls define order codes when you offer or order

## HEAVY DUTY CABLE TRAYS

### HEAVY DUTY CABLE TRAYS

H:50 mm

| Order Code       | Width A (mm) | Thickness T (mm) | Height H (mm) | Sendzimir Galvanization /Weight (kg/mt) | Hot Dip Galvanization /Weight (kg/mt) |
|------------------|--------------|------------------|---------------|---|---------------------------------------|
| ZEY.AK.50-10-50  | 50           | 1                | 50            | 1,22                                    | 1,33                                  |
| ZEY.AK.50-12-50  | 50           | 1,2              | 50            | 1,45                                    | 1,58                                  |
| ZEY.AK.50-15-50  | 50           | 1,5              | 50            | 1,84                                    | 2,01                                  |
| ZEY.AK.50-20-50  | 50           | 2                | 50            | 2,45                                    | 2,67                                  |
| ZEY.AK.100-10-50 | 100          | 1                | 50            | 1,59                                    | 1,74                                  |
| ZEY.AK.100-12-50 | 100          | 1,2              | 50            | 1,79                                    | 1,95                                  |
| ZEY.AK.100-15-50 | 100          | 1,5              | 50            | 2,30                                    | 2,51                                  |
| ZEY.AK.100-20-50 | 100          | 2                | 50            | 3,04                                    | 3,31                                  |
| ZEY.AK.150-10-50 | 150          | 1                | 50            | 1,94                                    | 2,12                                  |
| ZEY.AK.150-12-50 | 150          | 1,2              | 50            | 2,32                                    | 2,52                                  |
| ZEY.AK.150-15-50 | 150          | 1,5              | 50            | 2,79                                    | 3,04                                  |
| ZEY.AK.150-20-50 | 150          | 2                | 50            | 3,73                                    | 4,06                                  |
| ZEY.AK.200-10-40 | 200          | 1                | 50            | 2,31                                    | 2,52                                  |
| ZEY.AK.200-12-50 | 200          | 1,2              | 50            | 2,80                                    | 3,05                                  |
| ZEY.AK.200-15-50 | 200          | 1,5              | 50            | 3,17                                    | 3,46                                  |
| ZEY.AK.200-20-50 | 200          | 2                | 50            | 4,41                                    | 4,80                                  |
| ZEY.AK.250-10-50 | 250          | 1                | 50            | 2,60                                    | 2,84                                  |
| ZEY.AK.250-12-50 | 250          | 1,2              | 50            | 3,21                                    | 3,49                                  |
| ZEY.AK.250-15-50 | 250          | 1,5              | 50            | 3,81                                    | 4,16                                  |
| ZEY.AK.250-20-50 | 250          | 2                | 50            | 5,09                                    | 5,55                                  |
| ZEY.AK.300-12-50 | 300          | 1,2              | 50            | 3,55                                    | 3,87                                  |
| ZEY.AK.300-15-50 | 300          | 1,5              | 50            | 4,19                                    | 4,57                                  |
| ZEY.AK.300-20-50 | 300          | 2                | 50            | 5,77                                    | 6,29                                  |
| ZEY.AK.400-15-50 | 400          | 1,5              | 50            | 4,90                                    | 5,34                                  |
| ZEY.AK.400-20-50 | 400          | 2                | 50            | 7,15                                    | 7,79                                  |
| ZEY.AK.500-15-50 | 500          | 1,5              | 50            | 6,45                                    | 7,03                                  |
| ZEY.AK.500-20-50 | 500          | 2                | 50            | 8,51                                    | 9,27                                  |
| ZEY.AK.600-15-50 | 600          | 1,5              | 50            | 7,51                                    | 8,19                                  |
| ZEY.AK.600-20-50 | 600          | 2                | 50            | 9,87                                    | 10,76                                 |



Mts weight tolerance : %10  
 Standard Length 2400 mm  
 Special size (dimensions) pls call us  
 Pls define order codes when you offer or order

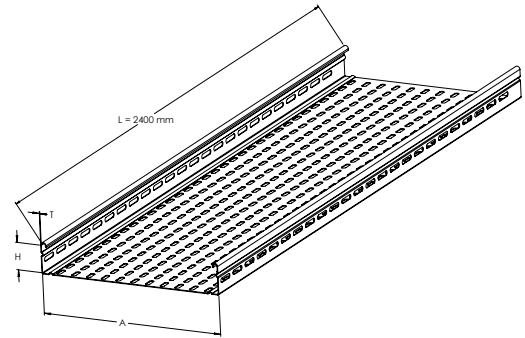
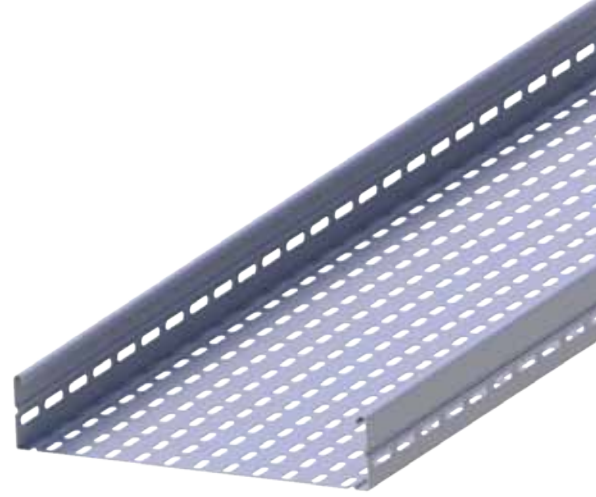


## HEAVY DUTY CABLE TRAYS

### HEAVY DUTY CABLE TRAYS

H:60 mm

| Order Code       | Width A (mm) | Thickness T (mm) | Height H (mm) | Sendzimir Galvanization /Weight (kg/mt) | Hot Dip Galvanization /Weight (kg/mt) |
|------------------|--------------|------------------|---------------|---|---------------------------------------|
| ZEY.AK.50-10-60  | 50           | 1                | 60            | 1,38                                    | 1,50                                  |
| ZEY.AK.50-12-60  | 50           | 1,2              | 60            | 1,63                                    | 1,78                                  |
| ZEY.AK.50-15-60  | 50           | 1,5              | 60            | 2,08                                    | 2,27                                  |
| ZEY.AK.50-20-60  | 50           | 2                | 60            | 2,76                                    | 3,01                                  |
| ZEY.AK.100-10-60 | 100          | 1                | 60            | 1,75                                    | 1,91                                  |
| ZEY.AK.100-12-60 | 100          | 1,2              | 60            | 1,97                                    | 2,15                                  |
| ZEY.AK.100-15-60 | 100          | 1,5              | 60            | 2,54                                    | 2,77                                  |
| ZEY.AK.100-20-60 | 100          | 2                | 60            | 3,35                                    | 3,65                                  |
| ZEY.AK.150-10-60 | 150          | 1                | 60            | 2,10                                    | 2,29                                  |
| ZEY.AK.150-12-60 | 150          | 1,2              | 60            | 2,50                                    | 2,73                                  |
| ZEY.AK.150-15-60 | 150          | 1,5              | 60            | 3,03                                    | 3,30                                  |
| ZEY.AK.150-20-60 | 150          | 2                | 60            | 4,04                                    | 4,41                                  |
| ZEY.AK.200-10-60 | 200          | 1                | 60            | 2,47                                    | 2,69                                  |
| ZEY.AK.200-12-60 | 200          | 1,2              | 60            | 2,98                                    | 3,25                                  |
| ZEY.AK.200-15-60 | 200          | 1,5              | 60            | 3,41                                    | 3,71                                  |
| ZEY.AK.200-20-60 | 200          | 2                | 60            | 4,72                                    | 5,15                                  |
| ZEY.AK.250-10-60 | 250          | 1                | 60            | 2,76                                    | 3,01                                  |
| ZEY.AK.250-12-60 | 250          | 1,2              | 60            | 3,39                                    | 3,70                                  |
| ZEY.AK.250-15-60 | 250          | 1,5              | 60            | 4,05                                    | 4,41                                  |
| ZEY.AK.250-20-60 | 250          | 2                | 60            | 5,40                                    | 5,89                                  |
| ZEY.AK.300-12-60 | 300          | 1,2              | 60            | 3,73                                    | 4,07                                  |
| ZEY.AK.300-15-60 | 300          | 1,5              | 60            | 4,43                                    | 4,83                                  |
| ZEY.AK.300-20-60 | 300          | 2                | 60            | 6,08                                    | 6,63                                  |
| ZEY.AK.400-15-60 | 400          | 1,5              | 60            | 5,14                                    | 5,60                                  |
| ZEY.AK.400-20-60 | 400          | 2                | 60            | 7,46                                    | 8,13                                  |
| ZEY.AK.500-15-60 | 500          | 1,5              | 60            | 6,69                                    | 7,29                                  |
| ZEY.AK.500-20-60 | 500          | 2                | 60            | 8,82                                    | 9,62                                  |
| ZEY.AK.600-15-60 | 600          | 1,5              | 60            | 7,75                                    | 8,45                                  |
| ZEY.AK.600-20-60 | 600          | 2                | 60            | 10,18                                   | 11,10                                 |



Mts weight tolerance  $\pm$  %10  
 Standard Length 2400 mm  
 Special size (dimensions) pls call us  
 Pls define order codes when you offer or order

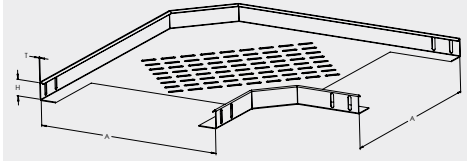
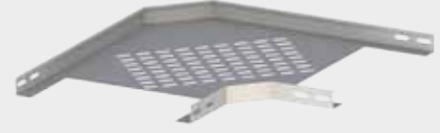
## HEAVY DUTY CABLE TRAYS

### HORIZONTAL BENDS 90°

| Order Code             | Width A (mm) | Thickness T (mm) | Height H (mm) | Sendzimir Galvanization /Weight (kg/piece) | Hot Dip Galvanization /Weight (kg/piece) |
|------------------------|--------------|------------------|---------------|--|--|
| <b>ZEY.A90'.50-40</b>  | 50           | 1                | 40            | 0,40                                       | 0,44                                     |
| <b>ZEY.A90'.100-40</b> | 100          | 1                | 40            | 0,55                                       | 0,60                                     |
| <b>ZEY.A90'.150-40</b> | 150          | 1                | 40            | 0,74                                       | 0,81                                     |
| <b>ZEY.A90'.200-40</b> | 200          | 1                | 40            | 0,96                                       | 1,05                                     |
| <b>ZEY.A90'.250-40</b> | 250          | 1                | 40            | 1,23                                       | 1,34                                     |
| <b>ZEY.A90'.300-40</b> | 300          | 1,5              | 40            | 2,29                                       | 2,50                                     |
| <b>ZEY.A90'.400-40</b> | 400          | 1,5              | 40            | 3,37                                       | 3,67                                     |
| <b>ZEY.A90'.500-40</b> | 500          | 1,5              | 40            | 4,66                                       | 5,08                                     |
| <b>ZEY.A90'.600-40</b> | 600          | 1,5              | 40            | 6,18                                       | 6,74                                     |

| Order Code             | Width A (mm) | Thickness T (mm) | Height H (mm) | Sendzimir Galvanization /Weight (kg/piece) | Hot Dip Galvanization /Weight (kg/piece) |
|------------------------|--------------|------------------|---------------|--|--|
| <b>ZEY.A90'.50-50</b>  | 50           | 1                | 50            | 0,44                                       | 0,48                                     |
| <b>ZEY.A90'.100-50</b> | 100          | 1                | 50            | 0,59                                       | 0,65                                     |
| <b>ZEY.A90'.150-50</b> | 150          | 1                | 50            | 0,79                                       | 0,86                                     |
| <b>ZEY.A90'.200-50</b> | 200          | 1                | 50            | 1,02                                       | 1,11                                     |
| <b>ZEY.A90'.250-50</b> | 250          | 1                | 50            | 1,28                                       | 1,40                                     |
| <b>ZEY.A90'.300-50</b> | 300          | 1,5              | 50            | 1,91                                       | 2,08                                     |
| <b>ZEY.A90'.400-50</b> | 400          | 1,5              | 50            | 3,48                                       | 3,79                                     |
| <b>ZEY.A90'.500-50</b> | 500          | 1,5              | 50            | 4,79                                       | 5,22                                     |
| <b>ZEY.A90'.600-50</b> | 600          | 1,5              | 50            | 6,33                                       | 6,90                                     |

| Order Code             | Width A (mm) | Thickness T (mm) | Height H (mm) | Sendzimir Galvanization /Weight (kg/piece) | Hot Dip Galvanization /Weight (kg/piece) |
|------------------------|--------------|------------------|---------------|--|--|
| <b>ZEY.A90'.60-60</b>  | 50           | 1                | 60            | 0,48                                       | 0,52                                     |
| <b>ZEY.A90'.100-60</b> | 100          | 1                | 60            | 0,64                                       | 0,69                                     |
| <b>ZEY.A90'.150-60</b> | 150          | 1                | 60            | 0,83                                       | 0,91                                     |
| <b>ZEY.A90'.200-60</b> | 200          | 1                | 60            | 1,07                                       | 1,17                                     |
| <b>ZEY.A90'.250-60</b> | 250          | 1                | 60            | 1,34                                       | 1,46                                     |
| <b>ZEY.A90'.300-60</b> | 300          | 1,5              | 60            | 1,99                                       | 2,16                                     |
| <b>ZEY.A90'.400-60</b> | 400          | 1,5              | 60            | 3,59                                       | 3,91                                     |
| <b>ZEY.A90'.500-60</b> | 500          | 1,5              | 60            | 4,92                                       | 5,36                                     |
| <b>ZEY.A90'.600-60</b> | 600          | 1,5              | 60            | 6,48                                       | 7,06                                     |



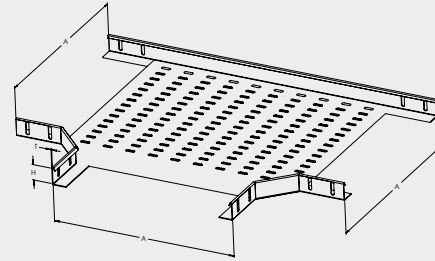
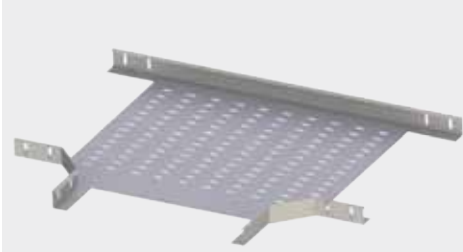
Mts weight tolerance : %10  
Special size (dimensions) pls call us  
Pls define order codes when you offer or order

## HORIZONTAL TEES

| Order Code    | Width A (mm) | Thickness T (mm) | Height H (mm) | Sendzimir Galvanization /Weight (kg/piece) | Hot Dip Galvanization /Weight (kg/piece) |
|---------------|--------------|------------------|---------------|--|--|
| ZEY.AT.50-40  | 50           | 1                | 40            | 0,55                                       | 0,60                                     |
| ZEY.AT.100-40 | 100          | 1                | 40            | 0,71                                       | 0,78                                     |
| ZEY.AT.150-40 | 150          | 1                | 40            | 0,91                                       | 0,99                                     |
| ZEY.AT.200-40 | 200          | 1                | 40            | 1,14                                       | 1,24                                     |
| ZEY.AT.250-40 | 250          | 1                | 40            | 1,41                                       | 1,54                                     |
| ZEY.AT.300-40 | 300          | 1,5              | 40            | 2,06                                       | 2,25                                     |
| ZEY.AT.400-40 | 400          | 1,5              | 40            | 3,67                                       | 4,00                                     |
| ZEY.AT.500-40 | 500          | 1,5              | 40            | 4,98                                       | 5,43                                     |
| ZEY.AT.600-40 | 600          | 1,5              | 40            | 6,52                                       | 7,11                                     |

| Order Code    | Width A (mm) | Thickness T (mm) | Height H (mm) | Sendzimir Galvanization /Weight (kg/piece) | Hot Dip Galvanization /Weight (kg/piece) |
|---------------|--------------|------------------|---------------|--|--|
| ZEY.AT.50-50  | 50           | 1                | 50            | 0,60                                       | 0,66                                     |
| ZEY.AT.100-50 | 100          | 1                | 50            | 0,77                                       | 0,84                                     |
| ZEY.AT.150-50 | 150          | 1                | 50            | 0,97                                       | 1,05                                     |
| ZEY.AT.200-50 | 200          | 1                | 50            | 1,20                                       | 1,31                                     |
| ZEY.AT.250-50 | 250          | 1                | 50            | 1,48                                       | 1,61                                     |
| ZEY.AT.300-50 | 300          | 1,5              | 50            | 2,15                                       | 2,34                                     |
| ZEY.AT.400-50 | 400          | 1,5              | 50            | 3,78                                       | 4,12                                     |
| ZEY.AT.500-50 | 500          | 1,5              | 50            | 5,11                                       | 5,57                                     |
| ZEY.AT.600-50 | 600          | 1,5              | 50            | 6,66                                       | 7,26                                     |

| Order Code    | Width A (mm) | Thickness T (mm) | Height H (mm) | Sendzimir Galvanization /Weight (kg/piece) | Hot Dip Galvanization /Weight (kg/piece) |
|---------------|--------------|------------------|---------------|--|--|
| ZEY.AT.50-60  | 50           | 1                | 60            | 0,65                                       | 0,71                                     |
| ZEY.AT.100-60 | 100          | 1                | 60            | 0,82                                       | 0,89                                     |
| ZEY.AT.150-60 | 150          | 1                | 60            | 1,02                                       | 1,12                                     |
| ZEY.AT.200-60 | 200          | 1                | 60            | 1,26                                       | 1,38                                     |
| ZEY.AT.250-60 | 250          | 1                | 60            | 1,54                                       | 1,68                                     |
| ZEY.AT.300-60 | 300          | 1,5              | 60            | 2,23                                       | 2,43                                     |
| ZEY.AT.400-60 | 400          | 1,5              | 60            | 3,90                                       | 4,25                                     |
| ZEY.AT.500-60 | 500          | 1,5              | 60            | 5,23                                       | 5,71                                     |
| ZEY.AT.600-60 | 600          | 1,5              | 60            | 6,80                                       | 7,41                                     |



Mts weight tolerance ± %10  
Special size (dimensions) pls call us  
Pls define order codes when you offer or order

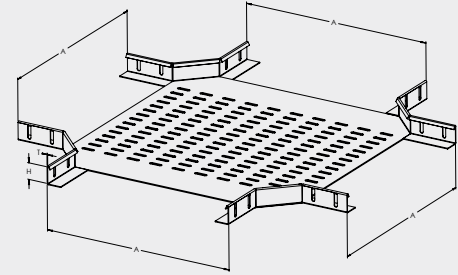
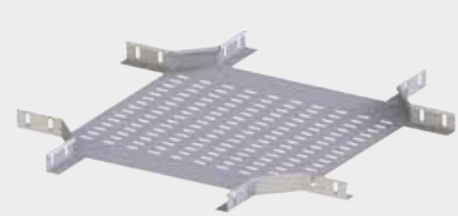
## HEAVY DUTY CABLE TRAYS

### HORIZONTAL CROSSING

| Order Code           | Width A (mm) | Thickness T (mm) | Height H (mm) | Sendzimir Galvanization /Weight (kg/piece) | Hot Dip Galvanization /Weight (kg/piece) |
|----------------------|--------------|------------------|---------------|--|--|
| <b>ZEY.AX.50-40</b>  | 50           | 1                | 40            | 0,71                                       | 0,77                                     |
| <b>ZEY.AX.100-40</b> | 100          | 1                | 40            | 0,86                                       | 0,94                                     |
| <b>ZEY.AX.150-40</b> | 150          | 1                | 40            | 1,05                                       | 1,14                                     |
| <b>ZEY.AX.200-40</b> | 200          | 1                | 40            | 1,28                                       | 1,39                                     |
| <b>ZEY.AX.250-40</b> | 250          | 1                | 40            | 1,54                                       | 1,68                                     |
| <b>ZEY.AX.300-40</b> | 300          | 1,5              | 40            | 2,21                                       | 2,41                                     |
| <b>ZEY.AX.400-40</b> | 400          | 1,5              | 40            | 3,84                                       | 4,19                                     |
| <b>ZEY.AX.500-40</b> | 500          | 1,5              | 40            | 5,14                                       | 5,60                                     |
| <b>ZEY.AX.600-40</b> | 600          | 1,5              | 40            | 6,66                                       | 7,26                                     |

| Order Code           | Width A (mm) | Thickness T (mm) | Height H (mm) | Sendzimir Galvanization /Weight (kg/piece) | Hot Dip Galvanization /Weight (kg/piece) |
|----------------------|--------------|------------------|---------------|--|--|
| <b>ZEY.AX.50-50</b>  | 50           | 1                | 50            | 0,77                                       | 0,83                                     |
| <b>ZEY.AX.100-50</b> | 100          | 1                | 50            | 0,92                                       | 1,00                                     |
| <b>ZEY.AX.150-50</b> | 150          | 1                | 50            | 1,11                                       | 1,21                                     |
| <b>ZEY.AX.200-50</b> | 200          | 1                | 50            | 1,34                                       | 1,46                                     |
| <b>ZEY.AX.250-50</b> | 250          | 1                | 50            | 1,60                                       | 1,74                                     |
| <b>ZEY.AX.300-50</b> | 300          | 1,5              | 50            | 2,28                                       | 2,49                                     |
| <b>ZEY.AX.400-50</b> | 400          | 1,5              | 50            | 3,93                                       | 4,28                                     |
| <b>ZEY.AX.500-50</b> | 500          | 1,5              | 50            | 5,23                                       | 5,70                                     |
| <b>ZEY.AX.600-50</b> | 600          | 1,5              | 50            | 6,75                                       | 7,35                                     |

| Order Code           | Width A (mm) | Thickness T (mm) | Height H (mm) | Sendzimir Galvanization /Weight (kg/piece) | Hot Dip Galvanization /Weight (kg/piece) |
|----------------------|--------------|------------------|---------------|--|--|
| <b>ZEY.AX.50-60</b>  | 50           | 1                | 60            | 0,82                                       | 0,90                                     |
| <b>ZEY.AX.100-60</b> | 100          | 1                | 60            | 0,98                                       | 1,06                                     |
| <b>ZEY.AX.150-60</b> | 150          | 1                | 60            | 1,17                                       | 1,27                                     |
| <b>ZEY.AX.200-60</b> | 200          | 1                | 60            | 1,39                                       | 1,52                                     |
| <b>ZEY.AX.250-60</b> | 250          | 1                | 60            | 1,66                                       | 1,81                                     |
| <b>ZEY.AX.300-60</b> | 300          | 1,5              | 60            | 2,94                                       | 3,21                                     |
| <b>ZEY.AX.400-60</b> | 400          | 1,5              | 60            | 4,01                                       | 4,38                                     |
| <b>ZEY.AX.500-60</b> | 500          | 1,5              | 60            | 5,31                                       | 5,79                                     |
| <b>ZEY.AX.600-60</b> | 600          | 1,5              | 60            | 6,83                                       | 7,45                                     |



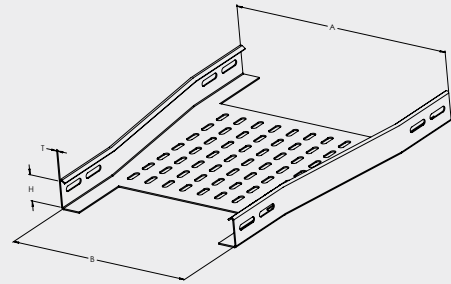
Mts weight tolerance : %10  
Special size (dimensions) pls call us  
Pls define order codes when you offer or order

## REDUCING ANGLES

| Order Code             | Width B/A (mm) | Thickness T (mm) | Height H (mm) | Sendzimir Galvanization /Weight (kg/piece) | Hot Dip Galvanization /Weight (kg/piece) |
|------------------------|----------------|------------------|---------------|--|--|
| <b>ZEY.ARED.100-40</b> | 50/100         | 1                | 40            | 0,45                                       | 0,49                                     |
| <b>ZEY.ARED.150-40</b> | 100/150        | 1                | 40            | 0,63                                       | 0,68                                     |
| <b>ZEY.ARED.200-40</b> | 150/200        | 1                | 40            | 0,84                                       | 0,92                                     |
| <b>ZEY.ARED.250-40</b> | 200/250        | 1                | 40            | 1,10                                       | 1,20                                     |
| <b>ZEY.ARED.300-40</b> | 250/300        | 1                | 40            | 2,08                                       | 2,27                                     |
| <b>ZEY.ARED.400-40</b> | 300/400        | 1,5              | 40            | 3,12                                       | 3,40                                     |
| <b>ZEY.ARED.500-40</b> | 400/500        | 1,5              | 40            | 4,40                                       | 4,79                                     |
| <b>ZEY.ARED.600-40</b> | 500/600        | 1,5              | 40            | 5,75                                       | 6,27                                     |

| Order Code             | Width B/A (mm) | Thickness T (mm) | Height H (mm) | Sendzimir Galvanization /Weight (kg/piece) | Hot Dip Galvanization /Weight (kg/piece) |
|------------------------|----------------|------------------|---------------|--|--|
| <b>ZEY.ARED.100-50</b> | 50/100         | 1                | 50            | 0,49                                       | 0,53                                     |
| <b>ZEY.ARED.150-50</b> | 100/150        | 1                | 50            | 0,68                                       | 0,74                                     |
| <b>ZEY.ARED.200-50</b> | 150/200        | 1                | 50            | 0,90                                       | 0,98                                     |
| <b>ZEY.ARED.250-50</b> | 200/250        | 1                | 50            | 1,16                                       | 1,26                                     |
| <b>ZEY.ARED.300-50</b> | 250/300        | 1                | 50            | 2,19                                       | 2,38                                     |
| <b>ZEY.ARED.400-50</b> | 300/400        | 1,5              | 50            | 3,25                                       | 3,54                                     |
| <b>ZEY.ARED.500-50</b> | 400/500        | 1,5              | 50            | 4,54                                       | 4,95                                     |
| <b>ZEY.ARED.600-50</b> | 500/600        | 1,5              | 50            | 5,91                                       | 6,44                                     |

| Order Code             | Width B/A (mm) | Thickness T (mm) | Height H (mm) | Sendzimir Galvanization /Weight (kg/piece) | Hot Dip Galvanization /Weight (kg/piece) |
|------------------------|----------------|------------------|---------------|--|--|
| <b>ZEY.ARED.100-60</b> | 50/100         | 1                | 60            | 0,53                                       | 0,58                                     |
| <b>ZEY.ARED.150-60</b> | 100/150        | 1                | 60            | 0,72                                       | 0,79                                     |
| <b>ZEY.ARED.200-60</b> | 150/200        | 1                | 60            | 0,95                                       | 1,04                                     |
| <b>ZEY.ARED.250-60</b> | 200/250        | 1                | 60            | 1,22                                       | 1,33                                     |
| <b>ZEY.ARED.300-60</b> | 250/300        | 1                | 60            | 2,29                                       | 2,50                                     |
| <b>ZEY.ARED.400-60</b> | 300/400        | 1,5              | 60            | 3,38                                       | 3,68                                     |
| <b>ZEY.ARED.500-60</b> | 400/500        | 1,5              | 60            | 4,69                                       | 5,11                                     |
| <b>ZEY.ARED.600-60</b> | 500/600        | 1,5              | 60            | 6,06                                       | 6,61                                     |



Mts weight tolerance : %10  
Special size (dimensions) pls call us  
Pls define order codes when you offer or order

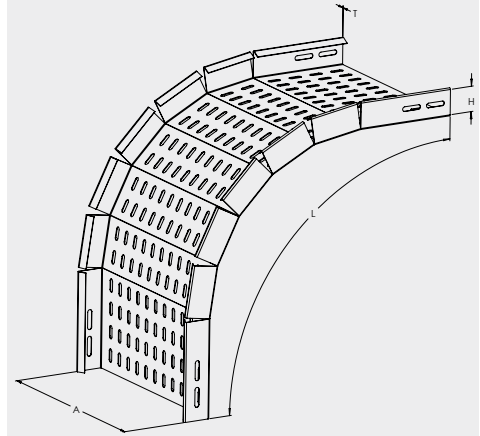
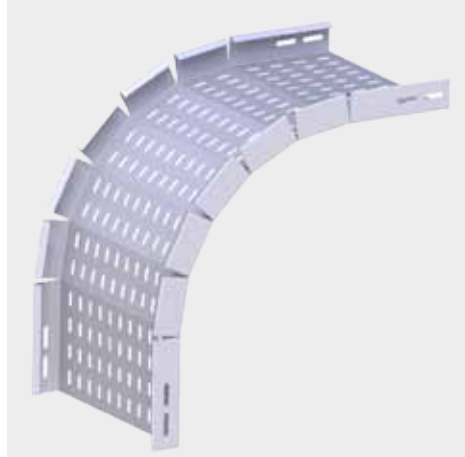
## HEAVY DUTY CABLE TRAYS

### INTERNAL AND EXTERNAL BEND

| Order Code           | Width A (mm) | Thickness T (mm) | Height H (mm) | Sendzimir Galvanization /Weight (kg/piece) | Hot Dip Galvanization /Weight (kg/piece) |
|----------------------|--------------|------------------|---------------|--|--|
| <b>ZEY.AF.50-40</b>  | 50           | 1                | 40            | 0,76                                       | 0,83                                     |
| <b>ZEY.AF.100-40</b> | 100          | 1                | 40            | 0,98                                       | 1,07                                     |
| <b>ZEY.AF.150-40</b> | 150          | 1                | 40            | 1,21                                       | 1,32                                     |
| <b>ZEY.AF.200-40</b> | 200          | 1                | 40            | 1,43                                       | 1,56                                     |
| <b>ZEY.AF.250-40</b> | 250          | 1                | 40            | 1,66                                       | 1,80                                     |
| <b>ZEY.AF.300-40</b> | 300          | 1,5              | 40            | 2,82                                       | 3,07                                     |
| <b>ZEY.AF.400-40</b> | 400          | 1,5              | 40            | 3,49                                       | 3,80                                     |
| <b>ZEY.AF.500-40</b> | 500          | 1,5              | 40            | 4,16                                       | 4,54                                     |
| <b>ZEY.AF.600-40</b> | 600          | 1,5              | 40            | 4,83                                       | 5,27                                     |

| Order Code           | Width A (mm) | Thickness T (mm) | Height H (mm) | Sendzimir Galvanization /Weight (kg/piece) | Hot Dip Galvanization /Weight (kg/piece) |
|----------------------|--------------|------------------|---------------|--|--|
| <b>ZEY.AF.50-50</b>  | 50           | 1                | 50            | 0,85                                       | 0,93                                     |
| <b>ZEY.AF.100-50</b> | 100          | 1                | 50            | 1,07                                       | 1,17                                     |
| <b>ZEY.AF.150-50</b> | 150          | 1                | 50            | 1,30                                       | 1,41                                     |
| <b>ZEY.AF.200-50</b> | 200          | 1                | 50            | 1,52                                       | 1,66                                     |
| <b>ZEY.AF.250-50</b> | 250          | 1                | 50            | 1,75                                       | 1,90                                     |
| <b>ZEY.AF.300-50</b> | 300          | 1,5              | 50            | 2,95                                       | 3,22                                     |
| <b>ZEY.AF.400-50</b> | 400          | 1,5              | 50            | 3,62                                       | 3,95                                     |
| <b>ZEY.AF.500-50</b> | 500          | 1,5              | 50            | 4,30                                       | 4,68                                     |
| <b>ZEY.AF.600-50</b> | 600          | 1,5              | 50            | 4,97                                       | 5,41                                     |

| Order Code           | Width A (mm) | Thickness T (mm) | Height H (mm) | Sendzimir Galvanization /Weight (kg/piece) | Hot Dip Galvanization /Weight (kg/piece) |
|----------------------|--------------|------------------|---------------|--|--|
| <b>ZEY.AF.50-60</b>  | 50           | 1                | 60            | 0,94                                       | 1,02                                     |
| <b>ZEY.AF.100-60</b> | 100          | 1                | 60            | 1,16                                       | 1,27                                     |
| <b>ZEY.AF.150-60</b> | 150          | 1                | 60            | 1,39                                       | 1,51                                     |
| <b>ZEY.AF.200-60</b> | 200          | 1                | 60            | 1,61                                       | 1,76                                     |
| <b>ZEY.AF.250-60</b> | 250          | 1                | 60            | 1,83                                       | 2,00                                     |
| <b>ZEY.AF.300-60</b> | 300          | 1,5              | 60            | 3,09                                       | 3,37                                     |
| <b>ZEY.AF.400-60</b> | 400          | 1,5              | 60            | 3,76                                       | 4,10                                     |
| <b>ZEY.AF.500-60</b> | 500          | 1,5              | 60            | 4,43                                       | 4,83                                     |
| <b>ZEY.AF.600-60</b> | 600          | 1,5              | 60            | 5,10                                       | 5,56                                     |



Mts weight tolerance  $\pm$  %10  
 Special size (dimensions) pls call us  
 Pls define order codes when you offer or order

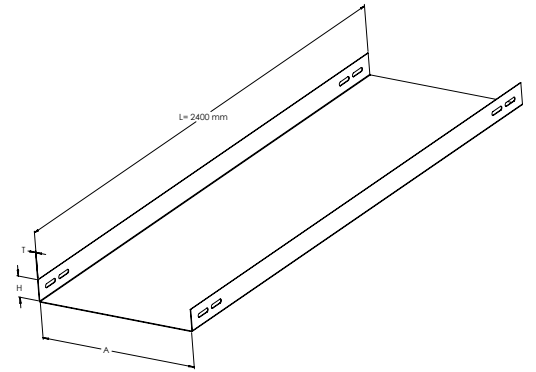
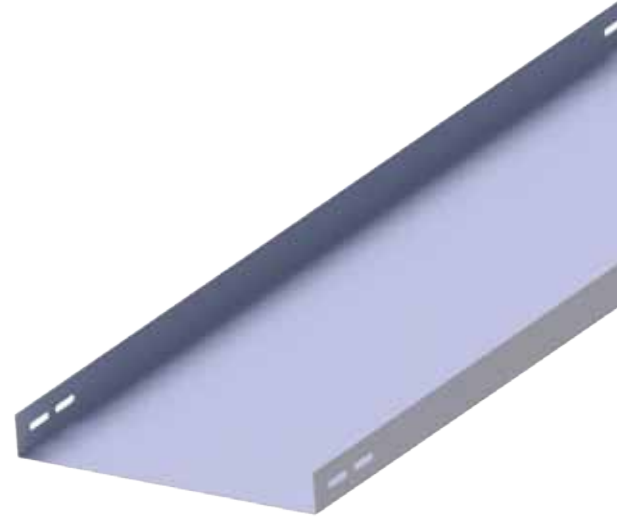


## CABLE TRAY NON-PERFORATED

### CABLE TRAY NON-PERFORATED

H:40 mm

| Order Code        | Width A (mm) | Thickness T (mm) | Height H (mm) | Sendzimir Galvanization /Weight (kg/mt) | Hot Dip Galvanization /Weight (kg/mt) |
|-------------------|--------------|------------------|---------------|---|---------------------------------------|
| ZEY.DTK.50-10-40  | 50           | 1                | 40            | 1,00                                    | 1,09                                  |
| ZEY.DTK.50-12-40  | 50           | 1,2              | 40            | 1,20                                    | 1,30                                  |
| ZEY.DTK.50-15-40  | 50           | 1,5              | 40            | 1,50                                    | 1,63                                  |
| ZEY.DTK.50-20-40  | 50           | 2                | 40            | 1,99                                    | 2,17                                  |
| ZEY.DTK.100-10-40 | 100          | 1                | 40            | 1,39                                    | 1,51                                  |
| ZEY.DTK.100-12-40 | 100          | 1,2              | 40            | 1,67                                    | 1,82                                  |
| ZEY.DTK.100-15-40 | 100          | 1,5              | 40            | 2,08                                    | 2,27                                  |
| ZEY.DTK.100-20-40 | 100          | 2                | 40            | 2,78                                    | 3,03                                  |
| ZEY.DTK.150-10-40 | 150          | 1                | 40            | 1,78                                    | 1,94                                  |
| ZEY.DTK.150-12-40 | 150          | 1,2              | 40            | 2,14                                    | 2,33                                  |
| ZEY.DTK.150-15-40 | 150          | 1,5              | 40            | 2,67                                    | 2,91                                  |
| ZEY.DTK.150-20-40 | 150          | 2                | 40            | 3,56                                    | 3,88                                  |
| ZEY.DTK.200-10-40 | 200          | 1                | 40            | 2,16                                    | 2,35                                  |
| ZEY.DTK.200-12-40 | 200          | 1,2              | 40            | 2,59                                    | 2,82                                  |
| ZEY.DTK.200-15-40 | 200          | 1,5              | 40            | 3,24                                    | 3,53                                  |
| ZEY.DTK.200-20-40 | 200          | 2                | 40            | 4,32                                    | 4,71                                  |
| ZEY.DTK.250-10-40 | 250          | 1                | 40            | 2,55                                    | 2,78                                  |
| ZEY.DTK.250-12-40 | 250          | 1,2              | 40            | 3,06                                    | 3,34                                  |
| ZEY.DTK.250-15-40 | 250          | 1,5              | 40            | 3,83                                    | 4,17                                  |
| ZEY.DTK.250-20-40 | 250          | 2                | 40            | 5,10                                    | 5,56                                  |
| ZEY.DTK.300-12-40 | 300          | 1,2              | 40            | 3,53                                    | 3,85                                  |
| ZEY.DTK.300-15-40 | 300          | 1,5              | 40            | 4,42                                    | 4,81                                  |
| ZEY.DTK.300-20-40 | 300          | 2                | 40            | 5,89                                    | 6,42                                  |
| ZEY.DTK.400-15-40 | 400          | 1,5              | 40            | 5,59                                    | 6,10                                  |
| ZEY.DTK.400-20-40 | 400          | 2                | 40            | 7,46                                    | 8,13                                  |
| ZEY.DTK.500-15-40 | 500          | 1,5              | 40            | 6,77                                    | 7,38                                  |
| ZEY.DTK.500-20-40 | 500          | 2                | 40            | 9,03                                    | 9,84                                  |
| ZEY.DTK.600-15-40 | 600          | 1,5              | 40            | 7,95                                    | 8,66                                  |
| ZEY.DTK.600-20-40 | 600          | 2                | 40            | 10,60                                   | 11,55                                 |



Mts weight tolerance : %10  
Standard Length 2400 mm  
Special size (dimensions) pls call us  
Pls define order codes when you offer or order

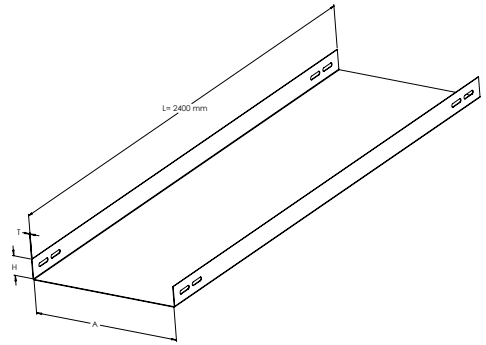
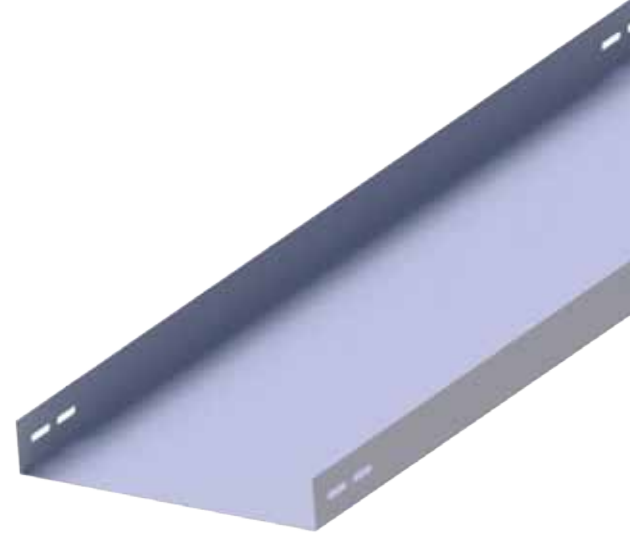


## CABLE TRAY NON-PERFORATED

### CABLE TRAY NON-PERFORATED

H:50 mm

| Order Code        | Width A (mm) | Thickness T (mm) | Height H (mm) | Sendzimir Galvanization /Weight (kg/mt) | Hot Dip Galvanization /Weight (kg/mt) |
|-------------------|--------------|------------------|---------------|---|---------------------------------------|
| ZEY.DTK.50-10-50  | 50           | 1                | 50            | 1,15                                    | 1,26                                  |
| ZEY.DTK.50-12-50  | 50           | 1,2              | 50            | 1,38                                    | 1,51                                  |
| ZEY.DTK.50-15-50  | 50           | 1,5              | 50            | 1,73                                    | 1,89                                  |
| ZEY.DTK.50-20-50  | 50           | 2                | 50            | 2,31                                    | 2,52                                  |
| ZEY.DTK.100-10-50 | 100          | 1                | 50            | 1,55                                    | 1,69                                  |
| ZEY.DTK.100-12-50 | 100          | 1,2              | 50            | 1,86                                    | 2,02                                  |
| ZEY.DTK.100-15-50 | 100          | 1,5              | 50            | 2,32                                    | 2,53                                  |
| ZEY.DTK.100-20-50 | 100          | 2                | 50            | 3,09                                    | 3,37                                  |
| ZEY.DTK.150-10-50 | 150          | 1                | 50            | 1,94                                    | 2,11                                  |
| ZEY.DTK.150-12-50 | 150          | 1,2              | 50            | 2,33                                    | 2,54                                  |
| ZEY.DTK.150-15-50 | 150          | 1,5              | 50            | 2,91                                    | 3,17                                  |
| ZEY.DTK.150-20-50 | 150          | 2                | 50            | 3,88                                    | 4,23                                  |
| ZEY.DTK.200-10-50 | 200          | 1                | 50            | 2,32                                    | 2,52                                  |
| ZEY.DTK.200-12-50 | 200          | 1,2              | 50            | 2,78                                    | 3,03                                  |
| ZEY.DTK.200-15-50 | 200          | 1,5              | 50            | 3,47                                    | 3,79                                  |
| ZEY.DTK.200-20-50 | 200          | 2                | 50            | 4,63                                    | 5,05                                  |
| ZEY.DTK.250-10-50 | 250          | 1                | 50            | 2,71                                    | 2,95                                  |
| ZEY.DTK.250-12-50 | 250          | 1,2              | 50            | 3,25                                    | 3,54                                  |
| ZEY.DTK.250-15-50 | 250          | 1,5              | 50            | 4,06                                    | 4,43                                  |
| ZEY.DTK.250-20-50 | 250          | 2                | 50            | 5,42                                    | 5,90                                  |
| ZEY.DTK.300-12-50 | 300          | 1,2              | 50            | 3,72                                    | 4,06                                  |
| ZEY.DTK.300-15-50 | 300          | 1,5              | 50            | 4,65                                    | 5,07                                  |
| ZEY.DTK.300-20-50 | 300          | 2                | 50            | 6,20                                    | 6,76                                  |
| ZEY.DTK.400-15-50 | 400          | 1,5              | 50            | 5,83                                    | 6,35                                  |
| ZEY.DTK.400-20-50 | 400          | 2                | 50            | 7,77                                    | 8,47                                  |
| ZEY.DTK.500-15-50 | 500          | 1,5              | 50            | 7,01                                    | 7,64                                  |
| ZEY.DTK.500-20-50 | 500          | 2                | 50            | 9,34                                    | 10,18                                 |
| ZEY.DTK.600-15-50 | 600          | 1,5              | 50            | 8,18                                    | 8,92                                  |
| ZEY.DTK.600-20-50 | 600          | 2                | 50            | 10,91                                   | 11,89                                 |



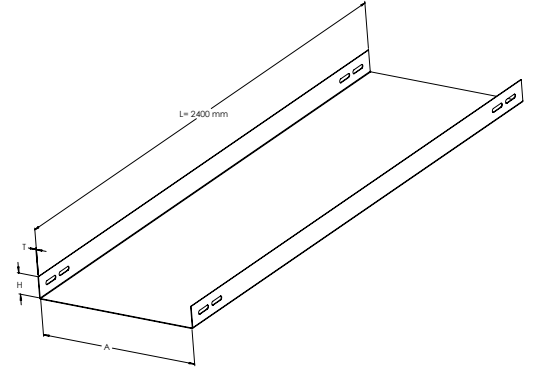
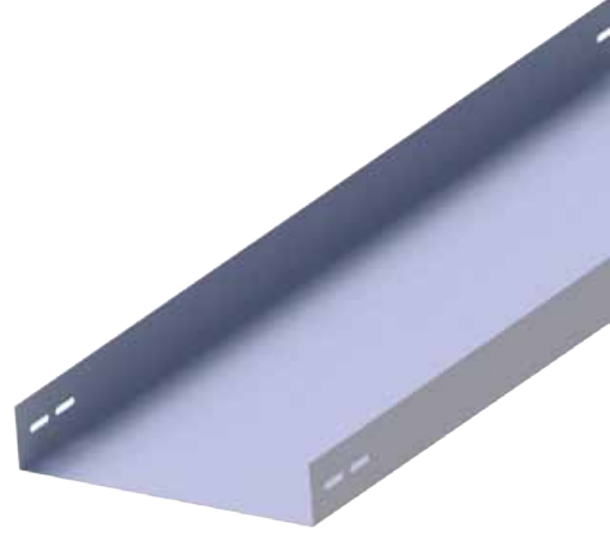
Mts weight tolerance ± %10  
Standard Length 2400 mm  
Special size (dimensions) pls call us  
Pls define order codes when you offer or order

## CABLE TRAY NON-PERFORATED

### CABLE TRAY NON-PERFORATED

H:60 mm

| Order Code        | Width A (mm) | Thickness T (mm) | Height H (mm) | Sendzimir Galvanization /Weight (kg/mt) | Hot Dip Galvanization /Weight (kg/mt) |
|-------------------|--------------|------------------|---------------|---|---------------------------------------|
| ZEY.DTK.50-10-60  | 50           | 1                | 60            | 1,31                                    | 1,43                                  |
| ZEY.DTK.50-12-60  | 50           | 1,2              | 60            | 1,57                                    | 1,71                                  |
| ZEY.DTK.50-15-60  | 50           | 1,5              | 60            | 1,97                                    | 2,14                                  |
| ZEY.DTK.50-20-60  | 50           | 2                | 60            | 2,62                                    | 2,86                                  |
| ZEY.DTK.100-10-60 | 100          | 1                | 60            | 1,70                                    | 1,86                                  |
| ZEY.DTK.100-12-60 | 100          | 1,2              | 60            | 2,04                                    | 2,23                                  |
| ZEY.DTK.100-15-60 | 100          | 1,5              | 60            | 2,56                                    | 2,79                                  |
| ZEY.DTK.100-20-60 | 100          | 2                | 60            | 3,41                                    | 3,71                                  |
| ZEY.DTK.150-10-60 | 150          | 1                | 60            | 2,10                                    | 2,28                                  |
| ZEY.DTK.150-12-60 | 150          | 1,2              | 60            | 2,52                                    | 2,74                                  |
| ZEY.DTK.150-15-60 | 150          | 1,5              | 60            | 3,14                                    | 3,43                                  |
| ZEY.DTK.150-20-60 | 150          | 2                | 60            | 4,19                                    | 4,57                                  |
| ZEY.DTK.200-10-60 | 200          | 1                | 60            | 2,47                                    | 2,70                                  |
| ZEY.DTK.200-12-60 | 200          | 1,2              | 60            | 2,97                                    | 3,23                                  |
| ZEY.DTK.200-15-60 | 200          | 1,5              | 60            | 3,71                                    | 4,04                                  |
| ZEY.DTK.200-20-60 | 200          | 2                | 60            | 4,95                                    | 5,39                                  |
| ZEY.DTK.250-10-60 | 250          | 1                | 60            | 2,87                                    | 3,12                                  |
| ZEY.DTK.250-12-60 | 250          | 1,2              | 60            | 3,44                                    | 3,75                                  |
| ZEY.DTK.250-15-60 | 250          | 1,5              | 60            | 4,30                                    | 4,68                                  |
| ZEY.DTK.250-20-60 | 250          | 2                | 60            | 5,73                                    | 6,25                                  |
| ZEY.DTK.300-12-60 | 300          | 1,2              | 60            | 3,91                                    | 4,26                                  |
| ZEY.DTK.300-15-60 | 300          | 1,5              | 60            | 4,89                                    | 5,33                                  |
| ZEY.DTK.300-20-60 | 300          | 2                | 60            | 6,52                                    | 7,10                                  |
| ZEY.DTK.400-15-60 | 400          | 1,5              | 60            | 6,06                                    | 6,61                                  |
| ZEY.DTK.400-20-60 | 400          | 2                | 60            | 8,09                                    | 8,81                                  |
| ZEY.DTK.500-15-60 | 500          | 1,5              | 60            | 7,24                                    | 7,89                                  |
| ZEY.DTK.500-20-60 | 500          | 2                | 60            | 9,66                                    | 10,52                                 |
| ZEY.DTK.600-15-60 | 600          | 1,5              | 60            | 8,42                                    | 9,18                                  |
| ZEY.DTK.600-20-60 | 600          | 2                | 60            | 11,23                                   | 12,24                                 |



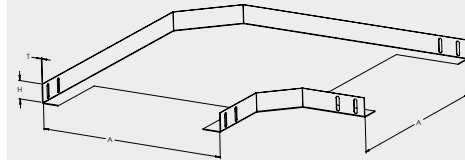
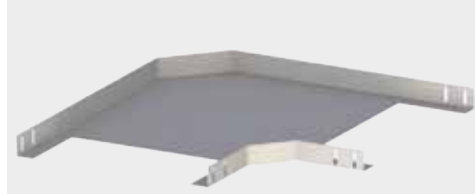
Mts weight tolerance : %10  
 Standard Length 2400 mm  
 Special size (dimensions) pls call us  
 Pls define order codes when you offer or order

## HORIZONTAL BENDS 90°

| Order Code        | Width A (mm) | Thickness T (mm) | Height H (mm) | Sendzimir Galvanization /Weight (kg/piece) | Hot Dip Galvanization /Weight (kg/piece) |
|-------------------|--------------|------------------|---------------|--|--|
| ZEY.DTK90'.50-40  | 50           | 1                | 40            | 0,35                                       | 0,38                                     |
| ZEY.DTK90'.100-40 | 100          | 1                | 40            | 0,49                                       | 0,54                                     |
| ZEY.DTK90'.150-40 | 150          | 1                | 40            | 0,68                                       | 0,74                                     |
| ZEY.DTK90'.200-40 | 200          | 1                | 40            | 0,90                                       | 0,99                                     |
| ZEY.DTK90'.250-40 | 250          | 1                | 40            | 1,17                                       | 1,27                                     |
| ZEY.DTK90'.300-40 | 300          | 1,5              | 40            | 1,29                                       | 1,41                                     |
| ZEY.DTK90'.400-40 | 400          | 1,5              | 40            | 3,31                                       | 3,61                                     |
| ZEY.DTK90'.500-40 | 500          | 1,5              | 40            | 4,64                                       | 5,06                                     |
| ZEY.DTK90'.600-40 | 600          | 1,5              | 40            | 6,20                                       | 6,76                                     |

| Order Code        | Width A (mm) | Thickness T (mm) | Height H (mm) | Sendzimir Galvanization /Weight (kg/piece) | Hot Dip Galvanization /Weight (kg/piece) |
|-------------------|--------------|------------------|---------------|--|--|
| ZEY.DTK90'.50-50  | 50           | 1                | 50            | 0,39                                       | 0,42                                     |
| ZEY.DTK90'.100-50 | 100          | 1                | 50            | 0,54                                       | 0,59                                     |
| ZEY.DTK90'.150-50 | 150          | 1                | 50            | 0,73                                       | 0,79                                     |
| ZEY.DTK90'.200-50 | 200          | 1                | 50            | 0,96                                       | 1,05                                     |
| ZEY.DTK90'.250-50 | 250          | 1                | 50            | 1,23                                       | 1,34                                     |
| ZEY.DTK90'.300-50 | 300          | 1,5              | 50            | 2,31                                       | 2,52                                     |
| ZEY.DTK90'.400-50 | 400          | 1,5              | 50            | 3,43                                       | 3,73                                     |
| ZEY.DTK90'.500-50 | 500          | 1,5              | 50            | 4,77                                       | 5,20                                     |
| ZEY.DTK90'.600-50 | 600          | 1,5              | 50            | 6,36                                       | 6,93                                     |

| Order Code        | Width A (mm) | Thickness T (mm) | Height H (mm) | Sendzimir Galvanization /Weight (kg/piece) | Hot Dip Galvanization /Weight (kg/piece) |
|-------------------|--------------|------------------|---------------|--|--|
| ZEY.DTK90'.50-60  | 50           | 1                | 60            | 0,42                                       | 0,46                                     |
| ZEY.DTK90'.100-60 | 100          | 1                | 60            | 0,58                                       | 0,63                                     |
| ZEY.DTK90'.150-60 | 150          | 1                | 60            | 0,78                                       | 0,85                                     |
| ZEY.DTK90'.200-60 | 200          | 1                | 60            | 1,02                                       | 1,11                                     |
| ZEY.DTK90'.250-60 | 250          | 1                | 60            | 1,29                                       | 1,41                                     |
| ZEY.DTK90'.300-60 | 300          | 1,5              | 60            | 1,93                                       | 2,10                                     |
| ZEY.DTK90'.400-60 | 400          | 1,5              | 60            | 3,54                                       | 3,86                                     |
| ZEY.DTK90'.500-60 | 500          | 1,5              | 60            | 4,91                                       | 5,35                                     |
| ZEY.DTK90'.600-60 | 600          | 1,5              | 60            | 6,51                                       | 7,10                                     |



Mts weight tolerance - %10  
Special size (dimensions) pls call us  
Pls define order codes when you offer or order

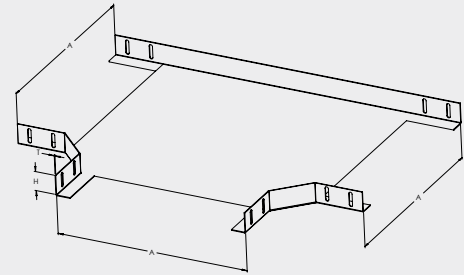
## CABLE TRAY NON-PERFORATED

### HORIZONTAL TEES

| Order Code             | Width A (mm) | Thickness T (mm) | Height H (mm) | Sendzimir Galvanization /Weight (kg/piece) | Hot Dip Galvanization /Weight (kg/piece) |
|------------------------|--------------|------------------|---------------|--|--|
| <b>ZEY.DTKT.50-40</b>  | 50           | 1                | 40            | 0,48                                       | 0,52                                     |
| <b>ZEY.DTKT.100-40</b> | 100          | 1                | 40            | 0,64                                       | 0,69                                     |
| <b>ZEY.DTKT.150-40</b> | 150          | 1                | 40            | 0,84                                       | 0,91                                     |
| <b>ZEY.DTKT.200-40</b> | 200          | 1                | 40            | 1,07                                       | 1,17                                     |
| <b>ZEY.DTKT.250-40</b> | 250          | 1                | 40            | 1,35                                       | 1,47                                     |
| <b>ZEY.DTKT.300-40</b> | 300          | 1,5              | 40            | 2,50                                       | 2,72                                     |
| <b>ZEY.DTKT.400-40</b> | 400          | 1,5              | 40            | 3,62                                       | 3,95                                     |
| <b>ZEY.DTKT.500-40</b> | 500          | 1,5              | 40            | 4,98                                       | 5,43                                     |
| <b>ZEY.DTKT.600-40</b> | 600          | 1,5              | 40            | 6,58                                       | 7,17                                     |

| Order Code             | Width A (mm) | Thickness T (mm) | Height H (mm) | Sendzimir Galvanization /Weight (kg/piece) | Hot Dip Galvanization /Weight (kg/piece) |
|------------------------|--------------|------------------|---------------|--|--|
| <b>ZEY.DTKT.50-50</b>  | 50           | 1                | 50            | 0,53                                       | 0,58                                     |
| <b>ZEY.DTKT.100-50</b> | 100          | 1                | 50            | 0,69                                       | 0,76                                     |
| <b>ZEY.DTKT.150-50</b> | 150          | 1                | 50            | 0,90                                       | 0,98                                     |
| <b>ZEY.DTKT.200-50</b> | 200          | 1                | 50            | 1,14                                       | 1,24                                     |
| <b>ZEY.DTKT.250-50</b> | 250          | 1                | 50            | 1,42                                       | 1,55                                     |
| <b>ZEY.DTKT.300-50</b> | 300          | 1,5              | 50            | 2,09                                       | 2,27                                     |
| <b>ZEY.DTKT.500-50</b> | 500          | 1,5              | 50            | 3,74                                       | 4,08                                     |
| <b>ZEY.DTKT.500-50</b> | 500          | 1,5              | 50            | 5,11                                       | 5,57                                     |
| <b>ZEY.DTKT.600-50</b> | 600          | 1,5              | 50            | 6,72                                       | 7,33                                     |

| Order Code             | Width A (mm) | Thickness T (mm) | Height H (mm) | Sendzimir Galvanization /Weight (kg/piece) | Hot Dip Galvanization /Weight (kg/piece) |
|------------------------|--------------|------------------|---------------|--|--|
| <b>ZEY.DTKT.50-60</b>  | 50           | 1                | 60            | 0,58                                       | 0,64                                     |
| <b>ZEY.DTKT.100-60</b> | 100          | 1                | 60            | 0,75                                       | 0,82                                     |
| <b>ZEY.DTKT.150-60</b> | 150          | 1                | 60            | 0,96                                       | 1,04                                     |
| <b>ZEY.DTKT.200-60</b> | 200          | 1                | 60            | 1,20                                       | 1,31                                     |
| <b>ZEY.DTKT.250-60</b> | 250          | 1                | 60            | 1,49                                       | 1,62                                     |
| <b>ZEY.DTKT.300-60</b> | 300          | 1,5              | 60            | 2,17                                       | 2,37                                     |
| <b>ZEY.DTKT.400-60</b> | 400          | 1,5              | 60            | 3,86                                       | 4,21                                     |
| <b>ZEY.DTKT.500-60</b> | 500          | 1,5              | 60            | 5,25                                       | 5,72                                     |
| <b>ZEY.DTKT.600-60</b> | 600          | 1,5              | 60            | 6,87                                       | 7,48                                     |



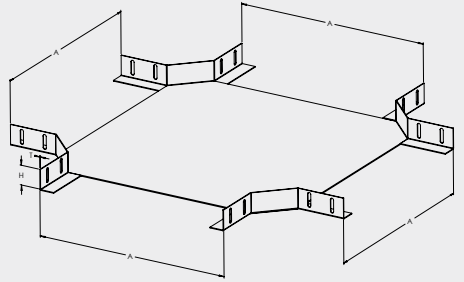
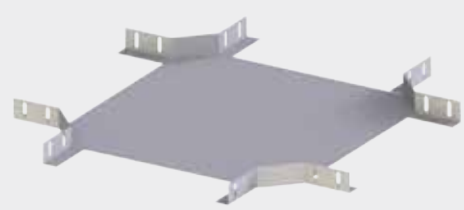
Mts weight tolerance : %10  
Special size (dimensions) pls call us  
Pls define order codes when you offer or order

## HORIZONTAL CROSSING

| Order Code             | Width A (mm) | Thickness T (mm) | Height H (mm) | Sendzimir Galvanization /Weight (kg/piece) | Hot Dip Galvanization /Weight (kg/piece) |
|------------------------|--------------|------------------|---------------|--|--|
| <b>ZEY.DTKX.50-40</b>  | 50           | 1                | 40            | 0,62                                       | 0,68                                     |
| <b>ZEY.DTKX.100-40</b> | 100          | 1                | 40            | 0,78                                       | 0,85                                     |
| <b>ZEY.DTKX.150-40</b> | 150          | 1                | 40            | 0,98                                       | 1,07                                     |
| <b>ZEY.DTKX.200-40</b> | 200          | 1                | 40            | 1,22                                       | 1,33                                     |
| <b>ZEY.DTKX.250-40</b> | 250          | 1                | 40            | 1,50                                       | 1,64                                     |
| <b>ZEY.DTKX.300-40</b> | 300          | 1,5              | 40            | 2,73                                       | 2,97                                     |
| <b>ZEY.DTKX.400-40</b> | 400          | 1,5              | 40            | 3,86                                       | 4,21                                     |
| <b>ZEY.DTKX.500-40</b> | 500          | 1,5              | 40            | 5,22                                       | 5,69                                     |
| <b>ZEY.DTKX.600-40</b> | 600          | 1,5              | 40            | 6,83                                       | 7,44                                     |

| Order Code             | Width A (mm) | Thickness T (mm) | Height H (mm) | Sendzimir Galvanization /Weight (kg/piece) | Hot Dip Galvanization /Weight (kg/piece) |
|------------------------|--------------|------------------|---------------|--|--|
| <b>ZEY.DTKX.50-50</b>  | 50           | 1                | 50            | 0,68                                       | 0,74                                     |
| <b>ZEY.DTKX.100-50</b> | 100          | 1                | 50            | 0,84                                       | 0,92                                     |
| <b>ZEY.DTKX.150-50</b> | 150          | 1                | 50            | 1,04                                       | 1,14                                     |
| <b>ZEY.DTKX.200-50</b> | 200          | 1                | 50            | 1,28                                       | 1,40                                     |
| <b>ZEY.DTKX.250-50</b> | 250          | 1                | 50            | 1,56                                       | 1,70                                     |
| <b>ZEY.DTKX.300-50</b> | 300          | 1,5              | 50            | 2,82                                       | 3,07                                     |
| <b>ZEY.DTKX.400-50</b> | 400          | 1,5              | 50            | 3,95                                       | 4,31                                     |
| <b>ZEY.DTKX.500-50</b> | 500          | 1,5              | 50            | 5,32                                       | 5,79                                     |
| <b>ZEY.DTKX.600-50</b> | 600          | 1,5              | 50            | 6,92                                       | 7,54                                     |

| Order Code             | Width A (mm) | Thickness T (mm) | Height H (mm) | Sendzimir Galvanization /Weight (kg/piece) | Hot Dip Galvanization /Weight (kg/piece) |
|------------------------|--------------|------------------|---------------|--|--|
| <b>ZEY.DTKX.50-60</b>  | 50           | 1                | 60            | 0,74                                       | 0,81                                     |
| <b>ZEY.DTKX.100-60</b> | 100          | 1                | 60            | 0,91                                       | 0,99                                     |
| <b>ZEY.DTKX.150-60</b> | 150          | 1                | 60            | 1,11                                       | 1,20                                     |
| <b>ZEY.DTKX.200-60</b> | 200          | 1                | 60            | 1,34                                       | 1,47                                     |
| <b>ZEY.DTKX.250-60</b> | 250          | 1                | 60            | 1,62                                       | 1,77                                     |
| <b>ZEY.DTKX.300-60</b> | 300          | 1,5              | 60            | 2,91                                       | 3,17                                     |
| <b>ZEY.DTKX.400-60</b> | 400          | 1,5              | 60            | 4,04                                       | 4,41                                     |
| <b>ZEY.DTKX.500-60</b> | 500          | 1,5              | 60            | 5,41                                       | 5,90                                     |
| <b>ZEY.DTKX.600-60</b> | 600          | 1,5              | 60            | 7,01                                       | 7,64                                     |



Mts weight tolerance  $\pm$  %10  
 Special size (dimensions) pls call us  
 Pls define order codes when you offer or order

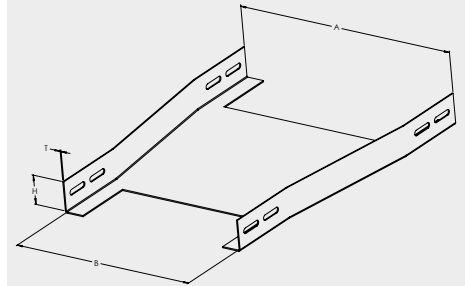
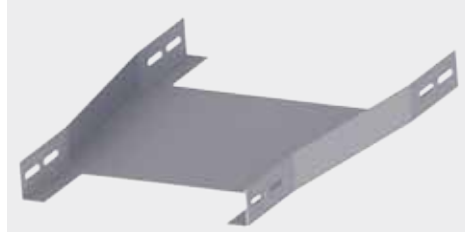
## CABLE TRAY NON-PERFORATED

### REDUCING ANGLES

| Order Code        | Width B/A (mm) | Thickness T (mm) | Height H (mm) | Sendzimir Galvanization /Weight (kg/piece) | Hot Dip Galvanization /Weight (kg/piece) |
|-------------------|----------------|------------------|---------------|--|--|
| ZEY.DTKRED.100-40 | 50/100         | 1                | 40            | 0,39                                       | 0,42                                     |
| ZEY.DTKRED.150-40 | 100/150        | 1                | 40            | 0,56                                       | 0,61                                     |
| ZEY.DTKRED.200-40 | 150/200        | 1                | 40            | 0,77                                       | 0,84                                     |
| ZEY.DTKRED.250-40 | 200/250        | 1                | 40            | 1,02                                       | 1,12                                     |
| ZEY.DTKRED.300-40 | 250/300        | 1                | 40            | 1,97                                       | 2,15                                     |
| ZEY.DTKRED.400-40 | 300/400        | 1,5              | 40            | 3,02                                       | 3,29                                     |
| ZEY.DTKRED.500-40 | 400/500        | 1,5              | 40            | 4,32                                       | 4,71                                     |
| ZEY.DTKRED.600-40 | 500/600        | 1,5              | 40            | 5,72                                       | 6,24                                     |

| Order Code        | Width B/A (mm) | Thickness T (mm) | Height H (mm) | Sendzimir Galvanization /Weight (kg/piece) | Hot Dip Galvanization /Weight (kg/piece) |
|-------------------|----------------|------------------|---------------|--|--|
| ZEY.DTKRED.100-50 | 50/100         | 1                | 50            | 0,43                                       | 0,47                                     |
| ZEY.DTKRED.150-50 | 100/150        | 1                | 50            | 0,61                                       | 0,67                                     |
| ZEY.DTKRED.200-50 | 150/200        | 1                | 50            | 0,83                                       | 0,91                                     |
| ZEY.DTKRED.250-50 | 200/250        | 1                | 50            | 1,09                                       | 1,19                                     |
| ZEY.DTKRED.300-50 | 250/300        | 1                | 50            | 2,08                                       | 2,27                                     |
| ZEY.DTKRED.400-50 | 300/400        | 1,5              | 50            | 3,15                                       | 3,44                                     |
| ZEY.DTKRED.500-50 | 400/500        | 1,5              | 50            | 4,47                                       | 4,88                                     |
| ZEY.DTKRED.600-50 | 500/600        | 1,5              | 50            | 5,89                                       | 6,42                                     |

| Order Code        | Width B/A (mm) | Thickness T (mm) | Height H (mm) | Sendzimir Galvanization /Weight (kg/piece) | Hot Dip Galvanization /Weight (kg/piece) |
|-------------------|----------------|------------------|---------------|--|--|
| ZEY.DTKRED.100-60 | 50/100         | 1                | 60            | 0,47                                       | 0,52                                     |
| ZEY.DTKRED.150-60 | 100/150        | 1                | 60            | 0,66                                       | 0,72                                     |
| ZEY.DTKRED.200-60 | 150/200        | 1                | 60            | 0,89                                       | 0,97                                     |
| ZEY.DTKRED.250-60 | 200/250        | 1                | 60            | 1,16                                       | 1,26                                     |
| ZEY.DTKRED.300-60 | 250/300        | 1                | 60            | 2,19                                       | 2,39                                     |
| ZEY.DTKRED.400-60 | 300/400        | 1,5              | 60            | 3,29                                       | 3,58                                     |
| ZEY.DTKRED.500-60 | 400/500        | 1,5              | 60            | 4,63                                       | 5,05                                     |
| ZEY.DTKRED.600-60 | 500/600        | 1,5              | 60            | 6,05                                       | 6,60                                     |



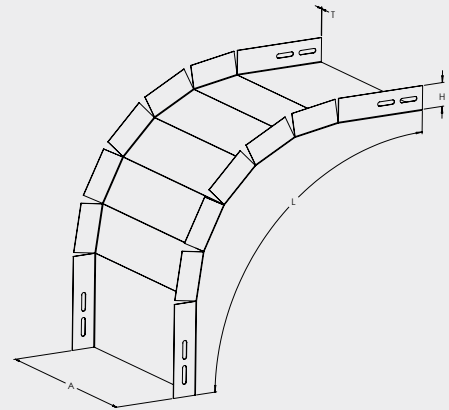
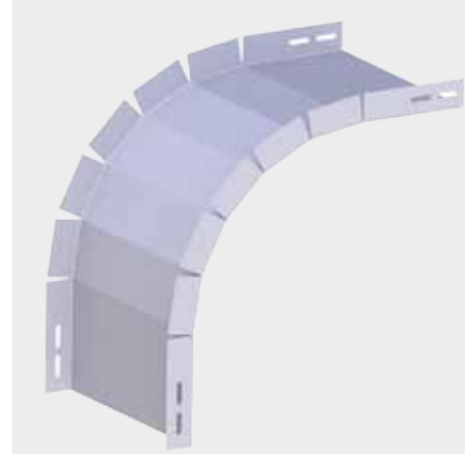
Mts weight tolerance - %10  
Special size (dimensions) pls call us  
Pls define order codes when you offer or order

## INTERNAL AND EXTERNAL BEND

| Order Code             | Width A (mm) | Thickness T (mm) | Height H (mm) | Sendzimir Galvanization /Weight (kg/piece) | Hot Dip Galvanization /Weight (kg/piece) |
|------------------------|--------------|------------------|---------------|--|--|
| <b>ZEY.DTKF.50-40</b>  | 50           | 1                | 40            | 0,71                                       | 0,77                                     |
| <b>ZEY.DTKF.100-40</b> | 100          | 1                | 40            | 0,94                                       | 1,03                                     |
| <b>ZEY.DTKF.150-40</b> | 150          | 1                | 40            | 1,18                                       | 1,28                                     |
| <b>ZEY.DTKF.200-40</b> | 200          | 1                | 40            | 1,41                                       | 1,54                                     |
| <b>ZEY.DTKF.250-40</b> | 250          | 1                | 40            | 1,65                                       | 1,80                                     |
| <b>ZEY.DTKF.300-40</b> | 300          | 1,5              | 40            | 2,83                                       | 3,08                                     |
| <b>ZEY.DTKF.400-40</b> | 400          | 1,5              | 40            | 3,53                                       | 3,85                                     |
| <b>ZEY.DTKF.500-40</b> | 500          | 1,5              | 40            | 4,24                                       | 4,62                                     |
| <b>ZEY.DTKF.600-40</b> | 600          | 1,5              | 40            | 4,95                                       | 5,39                                     |

| Order Code             | Width A (mm) | Thickness T (mm) | Height H (mm) | Sendzimir Galvanization /Weight (kg/piece) | Hot Dip Galvanization /Weight (kg/piece) |
|------------------------|--------------|------------------|---------------|--|--|
| <b>ZEY.DTKF.50-50</b>  | 50           | 1                | 50            | 0,80                                       | 0,87                                     |
| <b>ZEY.DTKF.100-50</b> | 100          | 1                | 50            | 1,04                                       | 1,13                                     |
| <b>ZEY.DTKF.150-50</b> | 150          | 1                | 50            | 1,27                                       | 1,39                                     |
| <b>ZEY.DTKF.200-50</b> | 200          | 1                | 50            | 1,51                                       | 1,64                                     |
| <b>ZEY.DTKF.250-50</b> | 250          | 1                | 50            | 1,74                                       | 1,90                                     |
| <b>ZEY.DTKF.300-50</b> | 300          | 1,5              | 50            | 2,97                                       | 3,23                                     |
| <b>ZEY.DTKF.400-50</b> | 400          | 1,5              | 50            | 3,67                                       | 4,00                                     |
| <b>ZEY.DTKF.500-50</b> | 500          | 1,5              | 50            | 4,38                                       | 4,77                                     |
| <b>ZEY.DTKF.600-50</b> | 600          | 1,5              | 50            | 5,09                                       | 5,54                                     |

| Order Code             | Width A (mm) | Thickness T (mm) | Height H (mm) | Sendzimir Galvanization /Weight (kg/piece) | Hot Dip Galvanization /Weight (kg/piece) |
|------------------------|--------------|------------------|---------------|--|--|
| <b>ZEY.DTKF.50-60</b>  | 50           | 1                | 60            | 0,89                                       | 0,98                                     |
| <b>ZEY.DTKF.100-60</b> | 100          | 1                | 60            | 1,13                                       | 1,23                                     |
| <b>ZEY.DTKF.150-60</b> | 150          | 1                | 60            | 1,37                                       | 1,49                                     |
| <b>ZEY.DTKF.200-60</b> | 200          | 1                | 60            | 1,60                                       | 1,75                                     |
| <b>ZEY.DTKF.250-60</b> | 250          | 1                | 60            | 1,84                                       | 2,00                                     |
| <b>ZEY.DTKF.300-60</b> | 300          | 1,5              | 60            | 3,11                                       | 3,39                                     |
| <b>ZEY.DTKF.400-60</b> | 400          | 1,5              | 60            | 3,82                                       | 4,16                                     |
| <b>ZEY.DTKF.500-60</b> | 500          | 1,5              | 60            | 4,52                                       | 4,93                                     |
| <b>ZEY.DTKF.600-60</b> | 600          | 1,5              | 60            | 5,23                                       | 5,70                                     |



Mts weight tolerance - %10  
Special size (dimensions) pls call us  
Pls define order codes when you offer or order

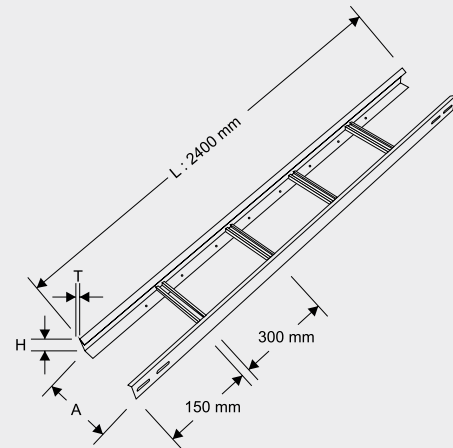




## CABLE LADDERS

H:50 mm

| Order Code       | Width A (mm) | Thickness T (mm) | Height H (mm) | Senzimir Galvanization /Weight (kg/mt) | Hot Dip Galvanization /Weight (kg/mt) |
|------------------|--------------|------------------|---------------|--|---------------------------------------|
| ZEY.KM.100-12-50 | 100          | 1,2              | 50            | 1,76                                   | 1,92                                  |
| ZEY.KM.100-15-50 | 100          | 1,5              | 50            | 2,20                                   | 2,40                                  |
| ZEY.KM.100-20-50 | 100          | 2                | 50            | 2,93                                   | 3,20                                  |
| ZEY.KM.150-12-50 | 150          | 1,2              | 50            | 1,84                                   | 2,01                                  |
| ZEY.KM.150-15-50 | 150          | 1,5              | 50            | 2,30                                   | 2,51                                  |
| ZEY.KM.150-20-50 | 150          | 2                | 50            | 3,07                                   | 3,34                                  |
| ZEY.KM.200-12-50 | 200          | 1,2              | 50            | 1,92                                   | 2,09                                  |
| ZEY.KM.200-15-50 | 200          | 1,5              | 50            | 2,40                                   | 2,62                                  |
| ZEY.KM.200-20-50 | 200          | 2                | 50            | 3,20                                   | 3,49                                  |
| ZEY.KM.250-12-50 | 250          | 1,2              | 50            | 2,00                                   | 2,18                                  |
| ZEY.KM.250-15-50 | 250          | 1,5              | 50            | 2,50                                   | 2,72                                  |
| ZEY.KM.250-20-50 | 250          | 2                | 50            | 3,33                                   | 3,63                                  |
| ZEY.KM.300-12-50 | 300          | 1,2              | 50            | 2,08                                   | 2,27                                  |
| ZEY.KM.300-15-50 | 300          | 1,5              | 50            | 2,60                                   | 2,83                                  |
| ZEY.KM.300-20-50 | 300          | 2                | 50            | 3,47                                   | 3,78                                  |
| ZEY.KM.400-12-50 | 400          | 1,2              | 50            | 2,24                                   | 2,44                                  |
| ZEY.KM.400-15-50 | 400          | 1,5              | 50            | 2,80                                   | 3,05                                  |
| ZEY.KM.400-20-50 | 400          | 2                | 50            | 3,73                                   | 4,07                                  |
| ZEY.KM.500-12-50 | 500          | 1,2              | 50            | 2,40                                   | 2,61                                  |
| ZEY.KM.500-15-50 | 500          | 1,5              | 50            | 3,00                                   | 3,27                                  |
| ZEY.KM.500-20-50 | 500          | 2                | 50            | 4,00                                   | 4,36                                  |
| ZEY.KM.600-12-50 | 600          | 1,2              | 50            | 2,56                                   | 2,79                                  |
| ZEY.KM.600-15-50 | 600          | 1,5              | 50            | 3,20                                   | 3,48                                  |
| ZEY.KM.600-20-50 | 600          | 2                | 50            | 4,26                                   | 4,65                                  |



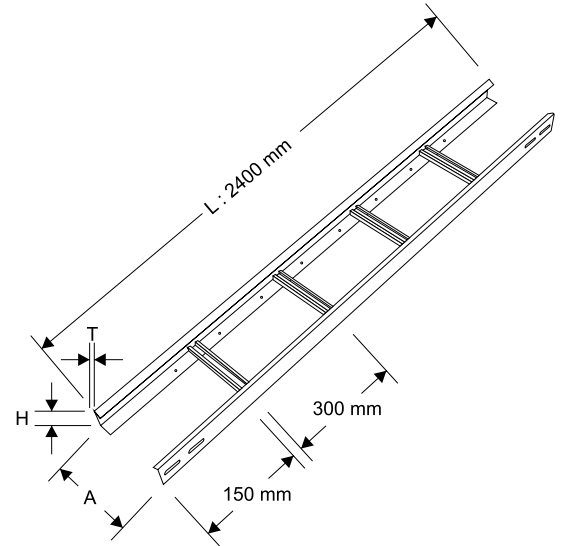
Mts weight tolerance : %10  
 Standard Length 2400 mm  
 Special size (dimensions) pls call us  
 Pls define order codes when you offer or order

## CABLE LADDERS

### CABLE LADDERS

H:60 mm

| Order Code       | Width A (mm) | Thickness T (mm) | Height H (mm) | Sendzimir Galvanization /Weight (kg/mt) | Hot Dip Galvanization /Weight (kg/mt) |
|------------------|--------------|------------------|---------------|---|---------------------------------------|
| ZEY.KM.100-12-60 | 100          | 1,2              | 60            | 1,95                                    | 2,12                                  |
| ZEY.KM.100-15-60 | 100          | 1,5              | 60            | 2,44                                    | 2,66                                  |
| ZEY.KM.100-20-60 | 100          | 2                | 60            | 3,25                                    | 3,54                                  |
| ZEY.KM.150-12-60 | 150          | 1,2              | 60            | 2,03                                    | 2,21                                  |
| ZEY.KM.150-15-60 | 150          | 1,5              | 60            | 2,54                                    | 2,76                                  |
| ZEY.KM.150-20-60 | 150          | 2                | 60            | 3,38                                    | 3,69                                  |
| ZEY.KM.200-12-60 | 200          | 1,2              | 60            | 2,11                                    | 2,30                                  |
| ZEY.KM.200-15-60 | 200          | 1,5              | 60            | 2,64                                    | 2,87                                  |
| ZEY.KM.200-20-60 | 200          | 2                | 60            | 3,51                                    | 3,83                                  |
| ZEY.KM.250-12-60 | 250          | 1,2              | 60            | 2,19                                    | 2,39                                  |
| ZEY.KM.250-15-60 | 250          | 1,5              | 60            | 2,74                                    | 2,98                                  |
| ZEY.KM.250-20-60 | 250          | 2                | 60            | 3,65                                    | 3,98                                  |
| ZEY.KM.300-12-60 | 300          | 1,2              | 60            | 2,27                                    | 2,47                                  |
| ZEY.KM.300-15-60 | 300          | 1,5              | 60            | 2,83                                    | 3,09                                  |
| ZEY.KM.300-20-60 | 300          | 2                | 60            | 3,78                                    | 4,12                                  |
| ZEY.KM.400-12-60 | 400          | 1,2              | 60            | 2,43                                    | 2,65                                  |
| ZEY.KM.400-15-60 | 400          | 1,5              | 60            | 3,03                                    | 3,31                                  |
| ZEY.KM.400-20-60 | 400          | 2                | 60            | 4,05                                    | 4,41                                  |
| ZEY.KM.500-12-60 | 500          | 1,2              | 60            | 2,59                                    | 2,82                                  |
| ZEY.KM.500-15-60 | 500          | 1,5              | 60            | 3,23                                    | 3,52                                  |
| ZEY.KM.500-20-60 | 500          | 2                | 60            | 4,31                                    | 4,70                                  |
| ZEY.KM.600-12-60 | 600          | 1,2              | 60            | 2,75                                    | 2,99                                  |
| ZEY.KM.600-15-60 | 600          | 1,5              | 60            | 3,43                                    | 3,74                                  |
| ZEY.KM.600-20-60 | 600          | 2                | 60            | 4,58                                    | 4,99                                  |

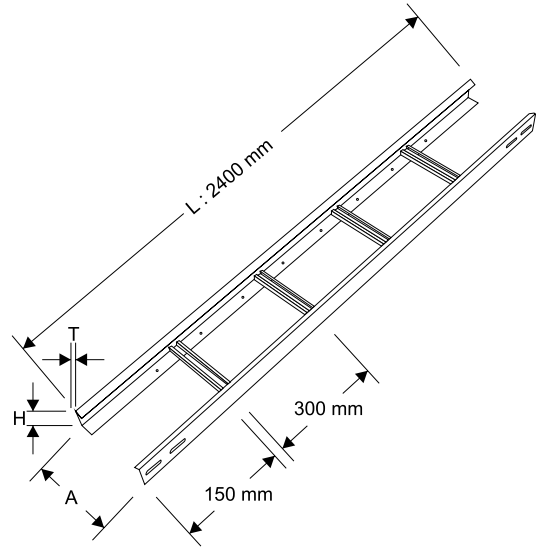
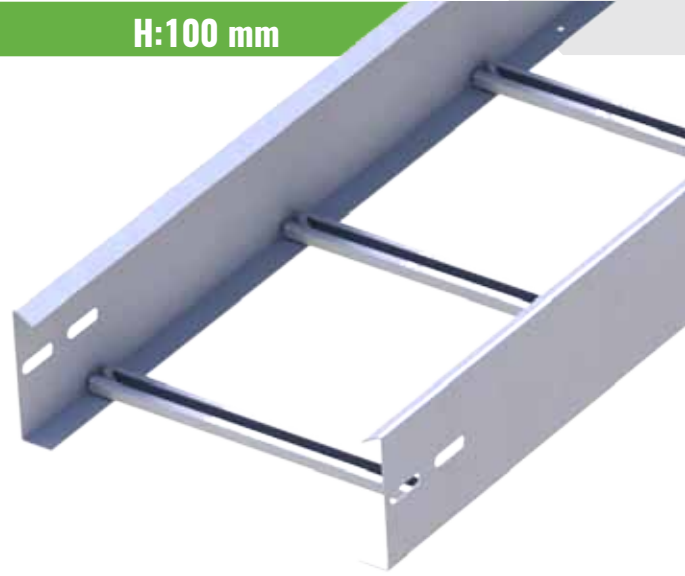


Mts weight tolerance : %10  
 Standard Length 2400 mm  
 Special size (dimensions) pls call us  
 Pls define order codes when you offer or order

## CABLE LADDERS

H:100 mm

| Order Code        | Width A (mm) | Thickness T (mm) | Height H (mm) | Senzimir Galvanization /Weight (kg/mt) | Hot Dip Galvanization /Weight (kg/mt) |
|-------------------|--------------|------------------|---------------|--|---------------------------------------|
| ZEY.KM.100-12-100 | 100          | 1,2              | 100           | 2,73                                   | 2,97                                  |
| ZEY.KM.100-15-100 | 100          | 1,5              | 100           | 3,41                                   | 3,71                                  |
| ZEY.KM.100-20-100 | 100          | 2                | 100           | 4,54                                   | 4,95                                  |
| ZEY.KM.150-12-100 | 150          | 1,2              | 100           | 2,82                                   | 3,07                                  |
| ZEY.KM.150-15-100 | 150          | 1,5              | 100           | 3,52                                   | 3,84                                  |
| ZEY.KM.150-20-100 | 150          | 2                | 100           | 4,69                                   | 5,12                                  |
| ZEY.KM.200-12-100 | 200          | 1,2              | 100           | 2,91                                   | 3,17                                  |
| ZEY.KM.200-15-100 | 200          | 1,5              | 100           | 3,63                                   | 3,96                                  |
| ZEY.KM.200-20-100 | 200          | 2                | 100           | 4,85                                   | 5,28                                  |
| ZEY.KM.250-12-100 | 250          | 1,2              | 100           | 3,00                                   | 3,27                                  |
| ZEY.KM.250-15-100 | 250          | 1,5              | 100           | 3,75                                   | 4,09                                  |
| ZEY.KM.250-20-100 | 250          | 2                | 100           | 5,00                                   | 5,45                                  |
| ZEY.KM.300-12-100 | 300          | 1,2              | 100           | 3,09                                   | 3,37                                  |
| ZEY.KM.300-15-100 | 300          | 1,5              | 100           | 3,86                                   | 4,21                                  |
| ZEY.KM.300-20-100 | 300          | 2                | 100           | 5,15                                   | 5,61                                  |
| ZEY.KM.400-12-100 | 400          | 1,2              | 100           | 3,27                                   | 3,57                                  |
| ZEY.KM.400-15-100 | 400          | 1,5              | 100           | 4,09                                   | 4,46                                  |
| ZEY.KM.400-20-100 | 400          | 2                | 100           | 5,45                                   | 5,94                                  |
| ZEY.KM.500-12-100 | 500          | 1,2              | 100           | 3,45                                   | 3,76                                  |
| ZEY.KM.500-15-100 | 500          | 1,5              | 100           | 4,32                                   | 4,71                                  |
| ZEY.KM.500-20-100 | 500          | 2                | 100           | 5,76                                   | 6,27                                  |
| ZEY.KM.600-12-100 | 600          | 1,2              | 100           | 3,64                                   | 3,96                                  |
| ZEY.KM.600-15-100 | 600          | 1,5              | 100           | 4,55                                   | 4,95                                  |
| ZEY.KM.600-20-100 | 600          | 2                | 100           | 6,06                                   | 6,61                                  |



Mts weight tolerance  $\pm$  %10  
 Standard Length 2400 mm  
 Special size (dimensions) pls call us  
 Pls define order codes when you offer or order

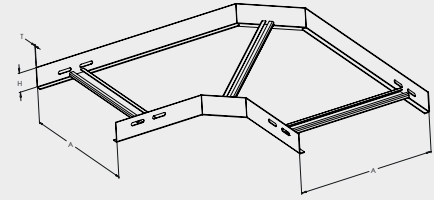
## CABLE LADDERS

### HORIZONTAL BENDS 90 °

| Order Code       | Width A (mm) | Thickness T (mm) | Height H (mm) | Sendzimir Galvanization /Weight (kg/piece) | Hot Dip Galvanization /Weight (kg/piece) |
|------------------|--------------|------------------|---------------|--|--|
| ZEY.KM90'.100-50 | 100          | 1,2              | 50            | 0,55                                       | 0,60                                     |
| ZEY.KM90'.150-50 | 150          | 1,2              | 50            | 0,70                                       | 0,76                                     |
| ZEY.KM90'.200-50 | 200          | 1,2              | 50            | 0,80                                       | 0,87                                     |
| ZEY.KM90'.250-50 | 250          | 1,2              | 50            | 0,90                                       | 0,98                                     |
| ZEY.KM90'.300-50 | 300          | 1,5              | 50            | 1,50                                       | 1,64                                     |
| ZEY.KM90'.400-50 | 400          | 1,5              | 50            | 1,90                                       | 2,07                                     |
| ZEY.KM90'.500-50 | 500          | 1,5              | 50            | 2,65                                       | 2,89                                     |
| ZEY.KM90'.600-50 | 600          | 1,5              | 50            | 3,10                                       | 3,38                                     |

| Order Code       | Width A (mm) | Thickness T (mm) | Height H (mm) | Sendzimir Galvanization /Weight (kg/piece) | Hot Dip Galvanization /Weight (kg/piece) |
|------------------|--------------|------------------|---------------|--|--|
| ZEY.KM90'.100-60 | 100          | 1,2              | 60            | 0,61                                       | 0,67                                     |
| ZEY.KM90'.150-60 | 150          | 1,2              | 60            | 0,74                                       | 0,80                                     |
| ZEY.KM90'.200-60 | 200          | 1,2              | 60            | 0,86                                       | 0,94                                     |
| ZEY.KM90'.250-60 | 250          | 1,2              | 60            | 0,99                                       | 1,08                                     |
| ZEY.KM90'.300-60 | 300          | 1,5              | 60            | 1,61                                       | 1,76                                     |
| ZEY.KM90'.400-60 | 400          | 1,5              | 60            | 1,99                                       | 2,17                                     |
| ZEY.KM90'.500-60 | 500          | 1,5              | 60            | 2,73                                       | 2,98                                     |
| ZEY.KM90'.600-60 | 600          | 1,5              | 60            | 3,19                                       | 3,48                                     |

| Order Code        | Width A (mm) | Thickness T (mm) | Height H (mm) | Sendzimir Galvanization /Weight (kg/piece) | Hot Dip Galvanization /Weight (kg/piece) |
|-------------------|--------------|------------------|---------------|--|--|
| ZEY.KM90'.100-100 | 100          | 1,2              | 100           | 0,82                                       | 0,90                                     |
| ZEY.KM90'.150-100 | 150          | 1,2              | 100           | 0,98                                       | 1,07                                     |
| ZEY.KM90'.200-100 | 200          | 1,2              | 100           | 1,13                                       | 1,24                                     |
| ZEY.KM90'.250-100 | 250          | 1,2              | 100           | 1,29                                       | 1,41                                     |
| ZEY.KM90'.300-100 | 300          | 1,5              | 100           | 1,62                                       | 1,77                                     |
| ZEY.KM90'.400-100 | 400          | 1,5              | 100           | 2,49                                       | 2,71                                     |
| ZEY.KM90'.500-100 | 500          | 1,5              | 100           | 3,31                                       | 3,60                                     |
| ZEY.KM90'.600-100 | 600          | 1,5              | 100           | 3,85                                       | 4,20                                     |



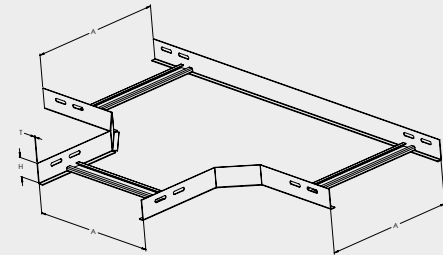
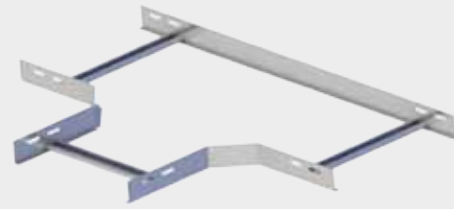
Mts weight tolerance : %10  
Special size (dimensions) pls call us  
Pls define order codes when you offer or order

## HORIZONTAL TEES

| Order Code            | Width A (mm) | Thickness T (mm) | Height H (mm) | Sendzimir Galvanization /Weight (kg/piece) | Hot Dip Galvanization /Weight (kg/piece) |
|-----------------------|--------------|------------------|---------------|--|--|
| <b>ZEY.KMT.100-50</b> | 100          | 1,2              | 50            | 0,70                                       | 0,76                                     |
| <b>ZEY.KMT.150-50</b> | 150          | 1,2              | 50            | 0,85                                       | 0,93                                     |
| <b>ZEY.KMT.200-50</b> | 200          | 1,2              | 50            | 1,00                                       | 1,09                                     |
| <b>ZEY.KMT.250-50</b> | 250          | 1,2              | 50            | 1,10                                       | 1,20                                     |
| <b>ZEY.KMT.300-50</b> | 300          | 1,5              | 50            | 1,40                                       | 1,53                                     |
| <b>ZEY.KMT.400-50</b> | 400          | 1,5              | 50            | 2,40                                       | 2,62                                     |
| <b>ZEY.KMT.500-50</b> | 500          | 1,5              | 50            | 2,85                                       | 3,11                                     |
| <b>ZEY.KMT.600-50</b> | 600          | 1,5              | 50            | 3,20                                       | 3,49                                     |

| Order Code            | Width A (mm) | Thickness T (mm) | Height H (mm) | Sendzimir Galvanization /Weight (kg/piece) | Hot Dip Galvanization /Weight (kg/piece) |
|-----------------------|--------------|------------------|---------------|--|--|
| <b>ZEY.KMT.100-60</b> | 100          | 1,2              | 60            | 0,80                                       | 0,87                                     |
| <b>ZEY.KMT.150-60</b> | 150          | 1,2              | 60            | 0,93                                       | 1,01                                     |
| <b>ZEY.KMT.200-60</b> | 200          | 1,2              | 60            | 1,05                                       | 1,15                                     |
| <b>ZEY.KMT.250-60</b> | 250          | 1,2              | 60            | 1,18                                       | 1,29                                     |
| <b>ZEY.KMT.300-60</b> | 300          | 1,5              | 60            | 1,47                                       | 1,60                                     |
| <b>ZEY.KMT.400-60</b> | 400          | 1,5              | 60            | 2,50                                       | 2,72                                     |
| <b>ZEY.KMT.500-60</b> | 500          | 1,5              | 60            | 2,95                                       | 3,21                                     |
| <b>ZEY.KMT.600-60</b> | 600          | 1,5              | 60            | 3,40                                       | 3,71                                     |

| Order Code             | Width A (mm) | Thickness T (mm) | Height H (mm) | Sendzimir Galvanization /Weight (kg/piece) | Hot Dip Galvanization /Weight (kg/piece) |
|------------------------|--------------|------------------|---------------|--|--|
| <b>ZEY.KMT.100-100</b> | 100          | 1,2              | 100           | 1,07                                       | 1,16                                     |
| <b>ZEY.KMT.150-100</b> | 150          | 1,2              | 100           | 1,21                                       | 1,32                                     |
| <b>ZEY.KMT.200-100</b> | 200          | 1,2              | 100           | 1,36                                       | 1,48                                     |
| <b>ZEY.KMT.250-100</b> | 250          | 1,2              | 100           | 1,50                                       | 1,64                                     |
| <b>ZEY.KMT.300-100</b> | 300          | 1,5              | 100           | 1,81                                       | 1,98                                     |
| <b>ZEY.KMT.400-100</b> | 400          | 1,5              | 100           | 2,97                                       | 3,24                                     |
| <b>ZEY.KMT.500-100</b> | 500          | 1,5              | 100           | 3,47                                       | 3,78                                     |
| <b>ZEY.KMT.600-100</b> | 600          | 1,5              | 100           | 3,97                                       | 4,33                                     |



Mts weight tolerance : %10  
Special size (dimensions) pls call us  
Pls define order codes when you offer or order

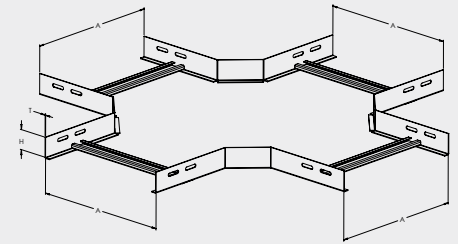
## CABLE LADDERS

### HORIZONTAL CROSSING

| Order Code            | Width A (mm) | Thickness T (mm) | Height H (mm) | Sendzimir Galvanization /Weight (kg/piece) | Hot Dip Galvanization /Weight (kg/piece) |
|-----------------------|--------------|------------------|---------------|--|--|
| <b>ZEY.KMX.100-50</b> | 100          | 1,2              | 50            | 0,80                                       | 0,87                                     |
| <b>ZEY.KMX.150-50</b> | 150          | 1,2              | 50            | 0,90                                       | 0,98                                     |
| <b>ZEY.KMX.200-50</b> | 200          | 1,2              | 50            | 1,00                                       | 1,09                                     |
| <b>ZEY.KMX.250-50</b> | 250          | 1,2              | 50            | 1,13                                       | 1,23                                     |
| <b>ZEY.KMX.300-50</b> | 300          | 1,5              | 50            | 1,95                                       | 2,13                                     |
| <b>ZEY.KMX.400-50</b> | 400          | 1,5              | 50            | 2,40                                       | 2,62                                     |
| <b>ZEY.KMX.500-50</b> | 500          | 1,5              | 50            | 2,80                                       | 3,05                                     |
| <b>ZEY.KMX.600-50</b> | 600          | 1,5              | 50            | 3,15                                       | 3,43                                     |

| Order Code            | Width A (mm) | Thickness T (mm) | Height H (mm) | Sendzimir Galvanization /Weight (kg/piece) | Hot Dip Galvanization /Weight (kg/piece) |
|-----------------------|--------------|------------------|---------------|--|--|
| <b>ZEY.KMX.100-60</b> | 100          | 1,2              | 60            | 0,90                                       | 0,98                                     |
| <b>ZEY.KMX.150-60</b> | 150          | 1,2              | 60            | 1,01                                       | 1,10                                     |
| <b>ZEY.KMX.200-60</b> | 200          | 1,2              | 60            | 1,12                                       | 1,22                                     |
| <b>ZEY.KMX.250-60</b> | 250          | 1,2              | 60            | 1,23                                       | 1,34                                     |
| <b>ZEY.KMX.300-60</b> | 300          | 1,5              | 60            | 2,08                                       | 2,27                                     |
| <b>ZEY.KMX.400-60</b> | 400          | 1,5              | 60            | 2,49                                       | 2,71                                     |
| <b>ZEY.KMX.500-60</b> | 500          | 1,5              | 60            | 2,90                                       | 3,16                                     |
| <b>ZEY.KMX.600-60</b> | 600          | 1,5              | 60            | 3,31                                       | 3,61                                     |

| Order Code             | Width A (mm) | Thickness T (mm) | Height H (mm) | Sendzimir Galvanization /Weight (kg/piece) | Hot Dip Galvanization /Weight (kg/piece) |
|------------------------|--------------|------------------|---------------|--|--|
| <b>ZEY.KMX.100-100</b> | 100          | 1,2              | 100           | 1,19                                       | 1,29                                     |
| <b>ZEY.KMX.150-100</b> | 150          | 1,2              | 100           | 1,29                                       | 1,41                                     |
| <b>ZEY.KMX.200-100</b> | 200          | 1,2              | 100           | 1,40                                       | 1,53                                     |
| <b>ZEY.KMX.250-100</b> | 250          | 1,2              | 100           | 1,51                                       | 1,65                                     |
| <b>ZEY.KMX.300-100</b> | 300          | 1,5              | 100           | 2,44                                       | 2,66                                     |
| <b>ZEY.KMX.400-100</b> | 400          | 1,5              | 100           | 2,85                                       | 3,10                                     |
| <b>ZEY.KMX.500-100</b> | 500          | 1,5              | 100           | 3,26                                       | 3,55                                     |
| <b>ZEY.KMX.600-100</b> | 600          | 1,5              | 100           | 3,67                                       | 4,00                                     |



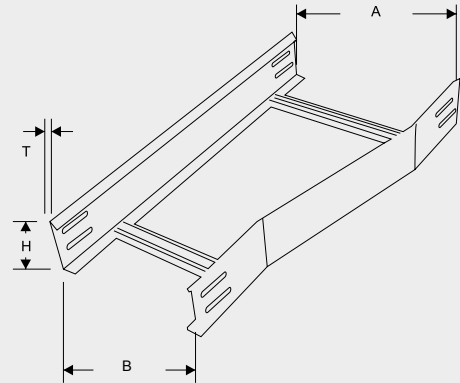
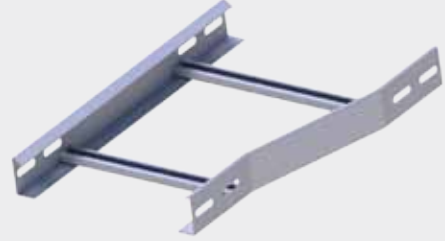
Mts weight tolerance : %10  
Special size (dimensions) pls call us  
Pls define order codes when you offer or order

## REDUCING ANGLES

| Order Code            | Width A/B (mm) | Thickness T (mm) | Height H (mm) | Sendzimir Galvanization /Weight (kg/piece) | Hot Dip Galvanization /Weight (kg/piece) |
|-----------------------|----------------|------------------|---------------|--|--|
| <b>ZEY.KMR.150-50</b> | 150/100        | 1,2              | 50            | 0,90                                       | 0,98                                     |
| <b>ZEY.KMR.200-50</b> | 200/150        | 1,2              | 50            | 1,15                                       | 1,25                                     |
| <b>ZEY.KMR.250-50</b> | 250/200        | 1,2              | 50            | 1,25                                       | 1,36                                     |
| <b>ZEY.KMR.300-50</b> | 300/250        | 1,5              | 50            | 1,70                                       | 1,85                                     |
| <b>ZEY.KMR.400-50</b> | 400/300        | 1,5              | 50            | 2,30                                       | 2,51                                     |
| <b>ZEY.KMR.500-50</b> | 500/400        | 1,5              | 50            | 2,50                                       | 2,73                                     |
| <b>ZEY.KMR.600-50</b> | 600/500        | 1,5              | 50            | 3,00                                       | 3,27                                     |

| Order Code            | Width A/B (mm) | Thickness T (mm) | Height H (mm) | Sendzimir Galvanization /Weight (kg/piece) | Hot Dip Galvanization /Weight (kg/piece) |
|-----------------------|----------------|------------------|---------------|--|--|
| <b>ZEY.KMR.150-60</b> | 150/100        | 1,2              | 60            | 0,98                                       | 1,07                                     |
| <b>ZEY.KMR.200-60</b> | 200/150        | 1,2              | 60            | 1,29                                       | 1,41                                     |
| <b>ZEY.KMR.250-60</b> | 250/200        | 1,2              | 60            | 1,38                                       | 1,50                                     |
| <b>ZEY.KMR.300-60</b> | 300/250        | 1,5              | 60            | 1,82                                       | 1,99                                     |
| <b>ZEY.KMR.400-60</b> | 400/300        | 1,5              | 60            | 2,44                                       | 2,65                                     |
| <b>ZEY.KMR.500-60</b> | 500/400        | 1,5              | 60            | 2,71                                       | 2,95                                     |
| <b>ZEY.KMR.600-60</b> | 600/500        | 1,5              | 60            | 3,21                                       | 3,49                                     |

| Order Code             | Width A/B (mm) | Thickness T (mm) | Height H (mm) | Sendzimir Galvanization /Weight (kg/piece) | Hot Dip Galvanization /Weight (kg/piece) |
|------------------------|----------------|------------------|---------------|--|--|
| <b>ZEY.KMR.150-100</b> | 150/100        | 1,2              | 100           | 1,29                                       | 1,40                                     |
| <b>ZEY.KMR.200-100</b> | 200/150        | 1,2              | 100           | 1,70                                       | 1,85                                     |
| <b>ZEY.KMR.250-100</b> | 250/200        | 1,2              | 100           | 1,78                                       | 1,94                                     |
| <b>ZEY.KMR.300-100</b> | 300/250        | 1,5              | 100           | 2,33                                       | 2,54                                     |
| <b>ZEY.KMR.400-100</b> | 400/300        | 1,5              | 100           | 3,00                                       | 3,27                                     |
| <b>ZEY.KMR.500-100</b> | 500/400        | 1,5              | 100           | 3,27                                       | 3,57                                     |
| <b>ZEY.KMR.600-100</b> | 600/500        | 1,5              | 100           | 3,86                                       | 4,21                                     |



Mts weight tolerance : %10  
Special size (dimensions) pls call us  
Pls define order codes when you offer or order

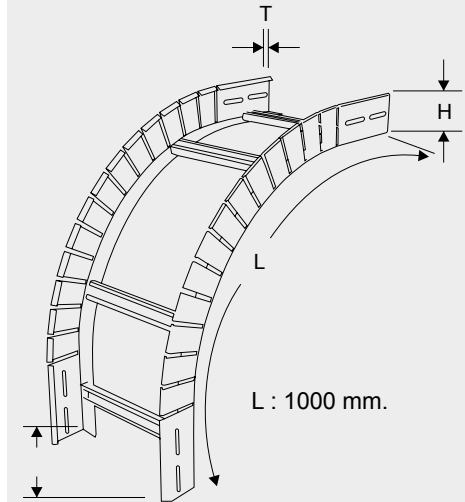
## CABLE LADDERS

### INTERNAL AND EXTERNAL BEND

| Order Code     | Width A (mm) | Thickness T (mm) | Height H (mm) | Sendzimir Galvanization /Weight (kg/piece) | Hot Dip Galvanization /Weight (kg/piece) |
|----------------|--------------|------------------|---------------|--|--|
| ZEY.KMF.100-50 | 100          | 1                | 50            | 1,50                                       | 1,64                                     |
| ZEY.KMF.150-50 | 150          | 1                | 50            | 1,60                                       | 1,74                                     |
| ZEY.KMF.200-50 | 200          | 1                | 50            | 1,70                                       | 1,85                                     |
| ZEY.KMF.250-50 | 250          | 1                | 50            | 1,80                                       | 1,96                                     |
| ZEY.KMF.300-50 | 300          | 1,2              | 50            | 2,20                                       | 2,40                                     |
| ZEY.KMF.400-50 | 400          | 1,2              | 50            | 2,50                                       | 2,73                                     |
| ZEY.KMF.500-50 | 500          | 1,2              | 50            | 2,90                                       | 3,16                                     |
| ZEY.KMF.600-50 | 600          | 1,2              | 50            | 3,20                                       | 3,49                                     |

| Order Code     | Width A (mm) | Thickness T (mm) | Height H (mm) | Sendzimir Galvanization /Weight (kg/piece) | Hot Dip Galvanization /Weight (kg/piece) |
|----------------|--------------|------------------|---------------|--|--|
| ZEY.KMF.100-60 | 100          | 1                | 60            | 1,67                                       | 1,82                                     |
| ZEY.KMF.150-60 | 150          | 1                | 60            | 1,76                                       | 1,92                                     |
| ZEY.KMF.200-60 | 200          | 1                | 60            | 1,86                                       | 2,02                                     |
| ZEY.KMF.250-60 | 250          | 1                | 60            | 1,95                                       | 2,12                                     |
| ZEY.KMF.300-60 | 300          | 1,2              | 60            | 2,45                                       | 2,67                                     |
| ZEY.KMF.400-60 | 400          | 1,2              | 60            | 2,88                                       | 3,14                                     |
| ZEY.KMF.500-60 | 500          | 1,2              | 60            | 3,16                                       | 3,44                                     |
| ZEY.KMF.600-60 | 600          | 1,2              | 60            | 3,43                                       | 3,74                                     |

| Order Code      | Width A (mm) | Thickness T (mm) | Height H (mm) | Sendzimir Galvanization /Weight (kg/piece) | Hot Dip Galvanization /Weight (kg/piece) |
|-----------------|--------------|------------------|---------------|--|--|
| ZEY.KMF.100-100 | 100          | 1                | 100           | 2,30                                       | 2,51                                     |
| ZEY.KMF.150-100 | 150          | 1                | 100           | 2,39                                       | 2,61                                     |
| ZEY.KMF.200-100 | 200          | 1                | 100           | 2,48                                       | 2,71                                     |
| ZEY.KMF.250-100 | 250          | 1                | 100           | 2,57                                       | 2,81                                     |
| ZEY.KMF.300-100 | 300          | 1,2              | 100           | 3,20                                       | 3,49                                     |
| ZEY.KMF.400-100 | 400          | 1,2              | 100           | 3,64                                       | 3,96                                     |
| ZEY.KMF.500-100 | 500          | 1,2              | 100           | 3,91                                       | 4,26                                     |
| ZEY.KMF.600-100 | 600          | 1,2              | 100           | 4,18                                       | 4,56                                     |

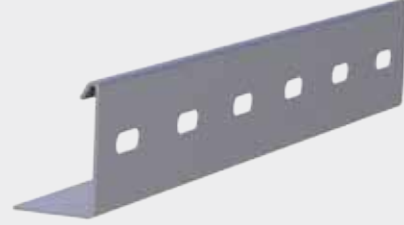


Mts weight tolerance : %10  
Special size (dimensions) pls call us  
Pls define order codes when you offer or order



## STRAIGHT JOINTING PIECE

| Order Code          | Thickness T (mm) | Height H (mm) | Sendzimir Galvanization /Weight (kg/piece) | Hot Dip Galvanization /Weight (kg/piece) |
|---------------------|------------------|---------------|--|--|
| <b>ZEY.KMEK.50</b>  | 1,5              | 50            | 0,16                                       | 0,18                                     |
| <b>ZEY.KMEK.60</b>  | 1,5              | 60            | 0,19                                       | 0,21                                     |
| <b>ZEY.KMEK.100</b> | 1,5              | 100           | 0,24                                       | 0,27                                     |



## LADDER JOINTING CLAMP

| Order Code         | Thickness T (mm) | Height H (mm) | Sendzimir Galvanization /Weight (kg/piece) | Hot Dip Galvanization /Weight (kg/piece) |
|--------------------|------------------|---------------|--|--|
| <b>ZEY.KMY.80</b>  | 1,5              | 120           | 0,11                                       | 0,12                                     |
| <b>ZEY.KMY.160</b> | 1,5              | 120           | 0,23                                       | 0,25                                     |



## HINGE (LEVELING) PIECE

| Order Code         | Thickness T (mm) | Height H (mm) | Sendzimir Galvanization /Weight (kg/piece) | Hot Dip Galvanization /Weight (kg/piece) |
|--------------------|------------------|---------------|--|--|
| <b>ZEY.KMS.60</b>  | 1,5              | 60            | 0,19                                       | 0,21                                     |
| <b>ZEY.KMS.100</b> | 1,5              | 100           | 0,24                                       | 0,26                                     |



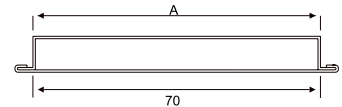
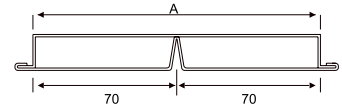
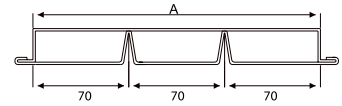
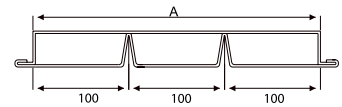
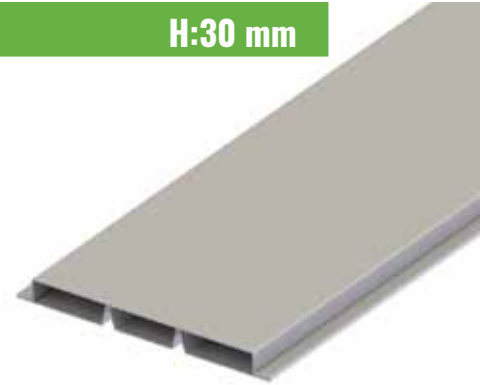
Mts weight tolerance  $\pm$  %10  
 Special size (dimensions) pls call us  
 Pls define order codes when you offer or order

## UNDER FLOOR CABLE TRAYS

### UNDER FLOOR CABLE TRAYS

H:30 mm

| Order Code           | Channel | Width A (mm) | Thickness T (mm) | Height H (mm) | Sendzimir Galvanization /Weight (kg/mt) |
|----------------------|---------|--------------|------------------|---------------|---|
| ZEY.DAKK-70-30-2400  | 1       | 70           | 1,2              | 30            | 2,64                                    |
| ZEY.DAKK-140-30-2400 | 2       | 140          | 1,2              | 30            | 4,24                                    |
| ZEY.DAKK-210-30-2400 | 3       | 210          | 1,2              | 30            | 6,69                                    |
| ZEY.DAKK-300-30-2400 | 3       | 300          | 1,2              | 30            | 7,91                                    |



### UNDER FLOOR CABLE TRAYS

H:40 mm

| Order Code           | Channel | Width A (mm) | Thickness T (mm) | Height H (mm) | Sendzimir Galvanization /Weight (kg/mt) |
|----------------------|---------|--------------|------------------|---------------|---|
| ZEY.DAKK-70-40-2400  | 1       | 70           | 1,2              | 40            | 2,83                                    |
| ZEY.DAKK-140-40-2400 | 2       | 140          | 1,2              | 40            | 4,52                                    |
| ZEY.DAKK-210-40-2400 | 3       | 210          | 1,2              | 40            | 7,07                                    |
| ZEY.DAKK-300-40-2400 | 3       | 300          | 1,2              | 40            | 8,29                                    |



### JUNCTION BOX

| Order Code  | Width A (mm) | Height H (mm) | Sendzimir Galvanization /Weight (kg/piece) |
|-------------|--------------|---------------|--|
| ZEY.DAKK.30 | 30           | 30            | 2,35                                       |
| ZEY.DAKK.40 | 40           | 40            | 3  |

### LEVELLING PIECE

| Order Code      | Width A (mm) | Height H (mm) | Sendzimir Galvanization /Weight (kg/piece) |
|-----------------|--------------|---------------|--|
| ZEY.DAKK.SA.140 | 140          | 1,2           | 0,22                                       |
| ZEY.DAKK.SA.210 | 210          | 1,2           | 0,3  |
| ZEY.DAKK.SA.300 | 300          | 1,2           | 0,46                                       |



Mts weight tolerance  $\pm$  %10 / Special size (dimensions) pls call us / Pls define order codes when you offer or order

## UNDER FLOOR CABLE TRAYS ACCESSORIES

### STRAIGHT CONNECTOR

| Order Code                | Width A (mm) | Thickness T (mm) | Height H (mm) | Sendizmir Galvanization /Weight (kg/piece) |
|---------------------------|--------------|------------------|---------------|--|
| <b>ZEY.DAKK.EK.70-30</b>  | 70           | 1,2              | 30            | 0,13                                       |
| <b>ZEY.DAKK.EK.140-30</b> | 140          | 1,2              | 30            | 0,21                                       |
| <b>ZEY.DAKK.EK.210-30</b> | 210          | 1,2              | 30            | 0,28                                       |
| <b>ZEY.DAKK.EK.300-30</b> | 300          | 1,2              | 30            | 0,35                                       |
| <b>ZEY.DAKK.EK.70-40</b>  | 70           | 1,2              | 40            | 0,14                                       |
| <b>ZEY.DAKK.EK.140-40</b> | 140          | 1,2              | 40            | 0,22                                       |
| <b>ZEY.DAKK.EK.210-40</b> | 210          | 1,2              | 40            | 0,30                                       |
| <b>ZEY.DAKK.EK.300-40</b> | 300          | 1,2              | 40            | 0,36                                       |



### 90° BENDING UNIT

| Order Code                 | Width A (mm) | Thickness T (mm) | Height H (mm) | Sendizmir Galvanization /Weight (kg/piece) |
|----------------------------|--------------|------------------|---------------|--|
| <b>ZEY.DAKK.90°.70-30</b>  | 70           | 1,2              | 30            | 1,55                                       |
| <b>ZEY.DAKK.90°.140-30</b> | 140          | 1,2              | 30            | 2,40                                       |
| <b>ZEY.DAKK.90°.210-30</b> | 210          | 1,2              | 30            | 3,24                                       |
| <b>ZEY.DAKK.90°.300-30</b> | 300          | 1,2              | 30            | 4,02                                       |
| <b>ZEY.DAKK.90°.70-40</b>  | 70           | 1,2              | 40            | 1,64                                       |
| <b>ZEY.DAKK.90°.140-40</b> | 140          | 1,2              | 40            | 2,53                                       |
| <b>ZEY.DAKK.90°.210-40</b> | 210          | 1,2              | 40            | 3,41                                       |
| <b>ZEY.DAKK.90°.300-40</b> | 300          | 1,2              | 40            | 4,11                                       |

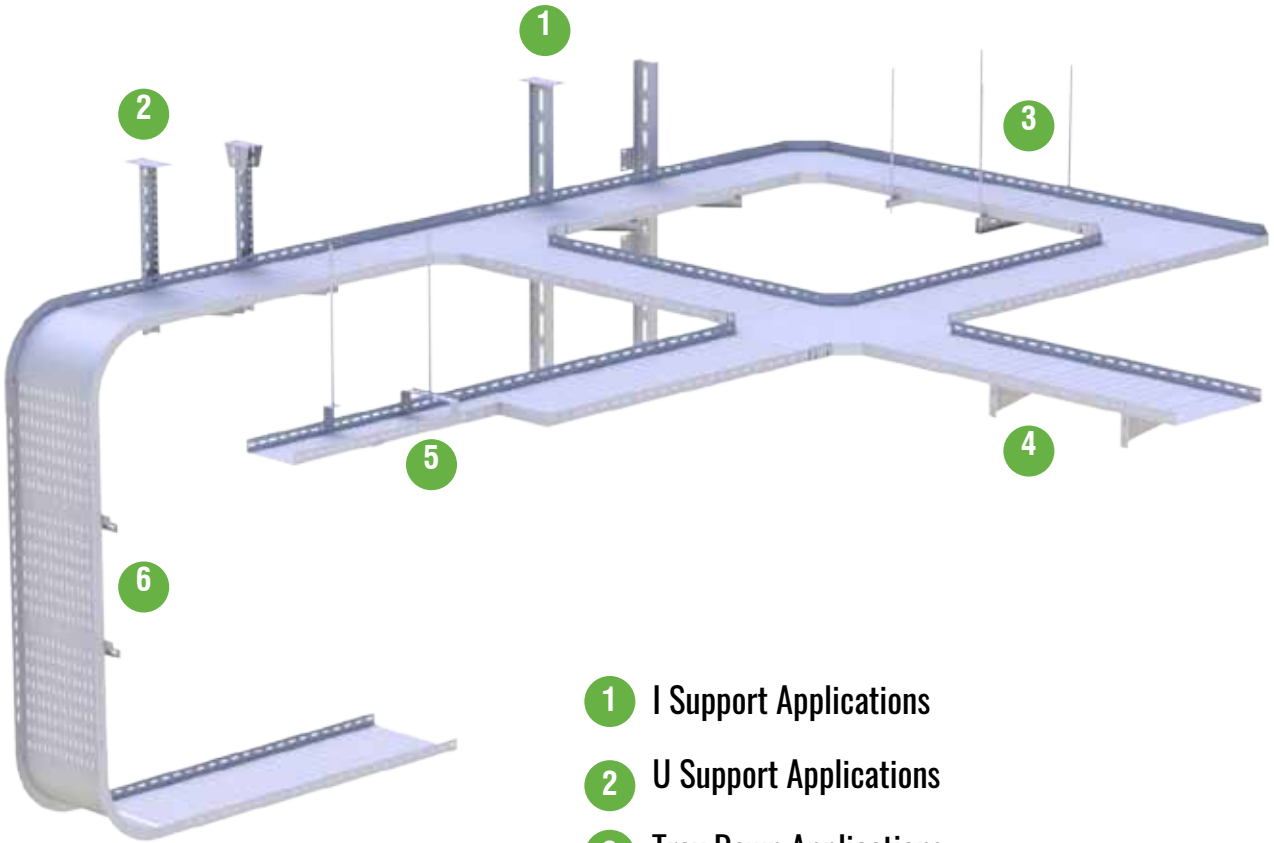


### ENDING UNIT

| Order Code                 | Width A (mm) | Thickness T (mm) | Height H (mm) | Sendizmir Galvanization /Weight (kg/piece) |
|----------------------------|--------------|------------------|---------------|--|
| <b>ZEY.DAKK.SON.70-30</b>  | 70           | 1,2              | 30            | 0,13                                       |
| <b>ZEY.DAKK.SON.140-30</b> | 140          | 1,2              | 30            | 0,21                                       |
| <b>ZEY.DAKK.SON.210-30</b> | 210          | 1,2              | 30            | 0,28                                       |
| <b>ZEY.DAKK.SON.300-30</b> | 300          | 1,2              | 30            | 0,35                                       |
| <b>ZEY.DAKK.SON.70-40</b>  | 70           | 1,2              | 40            | 0,14                                       |
| <b>ZEY.DAKK.SON.140-40</b> | 140          | 1,2              | 40            | 0,22                                       |
| <b>ZEY.DAKK.SON.210-40</b> | 210          | 1,2              | 40            | 0,30                                       |
| <b>ZEY.DAKK.SON.300-40</b> | 300          | 1,2              | 40            | 0,36                                       |



Mts weight tolerance : %10 / Special size (dimensions) pls call us / Pls define order codes when you offer or order



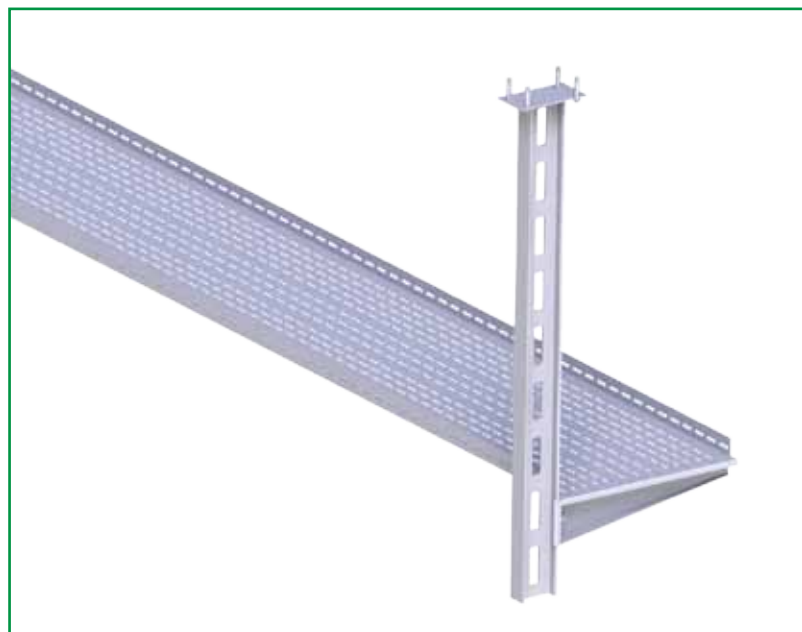
- 1 I Support Applications
- 2 U Support Applications
- 3 Tray Down Applications
- 4 Wall Bracket Support Applications
- 5 Tray up Applications
- 6 Tray Rising Bracket Applications

I HANGING SUPPORTS APPLICATION AND FIXING

DOUBLE SIDE APPLICATION



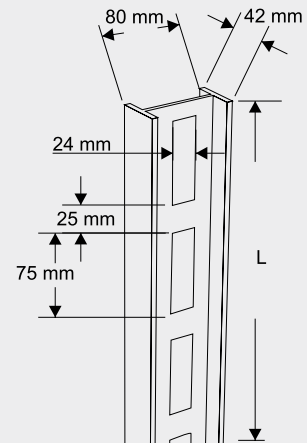
SINGLE SIDE APPLICATION



## SUPPORT SYSTEMS

### I SUPPORTS

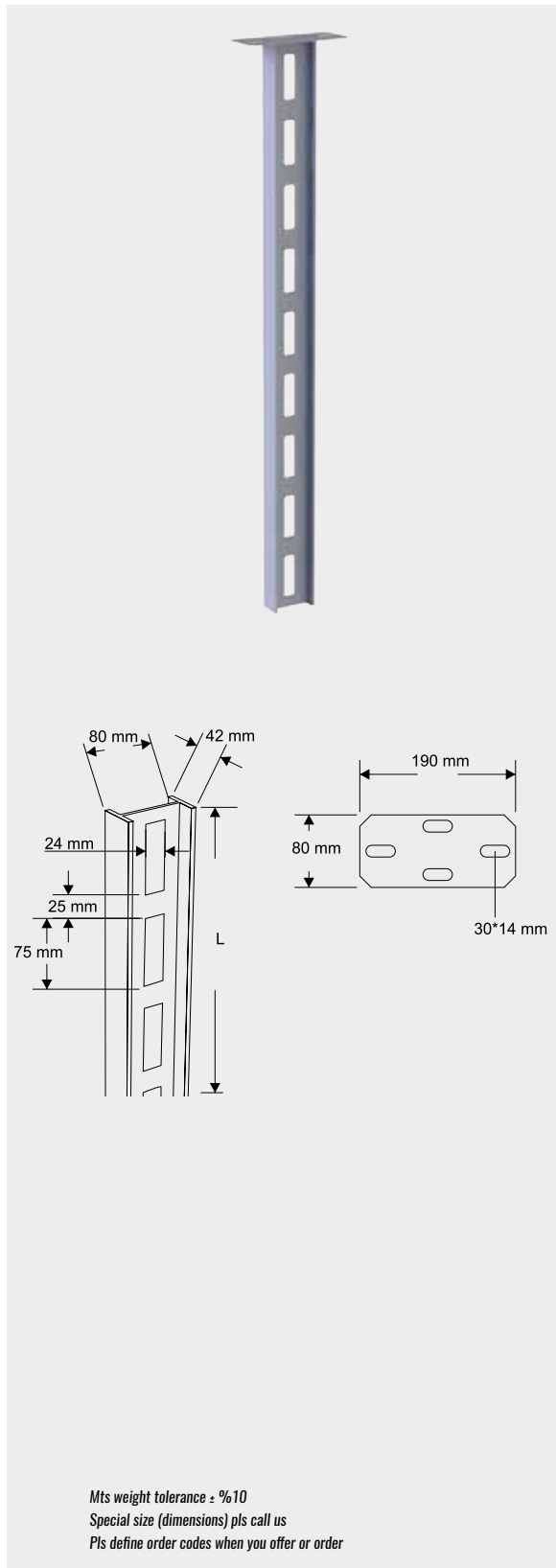
| Order Code  | Length L (mm) | Hot Dip Galvanization /Weight (kg/piece) |
|-------------|---------------|--|
| ZEY.ID.200  | 200           | 1,20                                     |
| ZEY.ID.300  | 300           | 1,80                                     |
| ZEY.ID.400  | 400           | 2,40                                     |
| ZEY.ID.500  | 500           | 3,00                                     |
| ZEY.ID.600  | 600           | 3,60                                     |
| ZEY.ID.700  | 700           | 4,20                                     |
| ZEY.ID.800  | 800           | 4,80                                     |
| ZEY.ID.900  | 900           | 5,40                                     |
| ZEY.ID.1000 | 1000          | 6,00                                     |
| ZEY.ID.1100 | 1100          | 6,60                                     |
| ZEY.ID.1200 | 1200          | 7,20                                     |
| ZEY.ID.1300 | 1300          | 7,80                                     |
| ZEY.ID.1400 | 1400          | 8,40                                     |
| ZEY.ID.1500 | 1500          | 9,00                                     |
| ZEY.ID.1600 | 1600          | 9,60                                     |
| ZEY.ID.1700 | 1700          | 10,20                                    |
| ZEY.ID.1800 | 1800          | 10,80                                    |
| ZEY.ID.1900 | 1900          | 11,40                                    |
| ZEY.ID.2000 | 2000          | 12,00                                    |
| ZEY.ID.6000 | 6000          | 36,00                                    |



Mts weight tolerance : %10  
 Special size (dimensions) pls call us  
 Pls define order codes when you offer or order

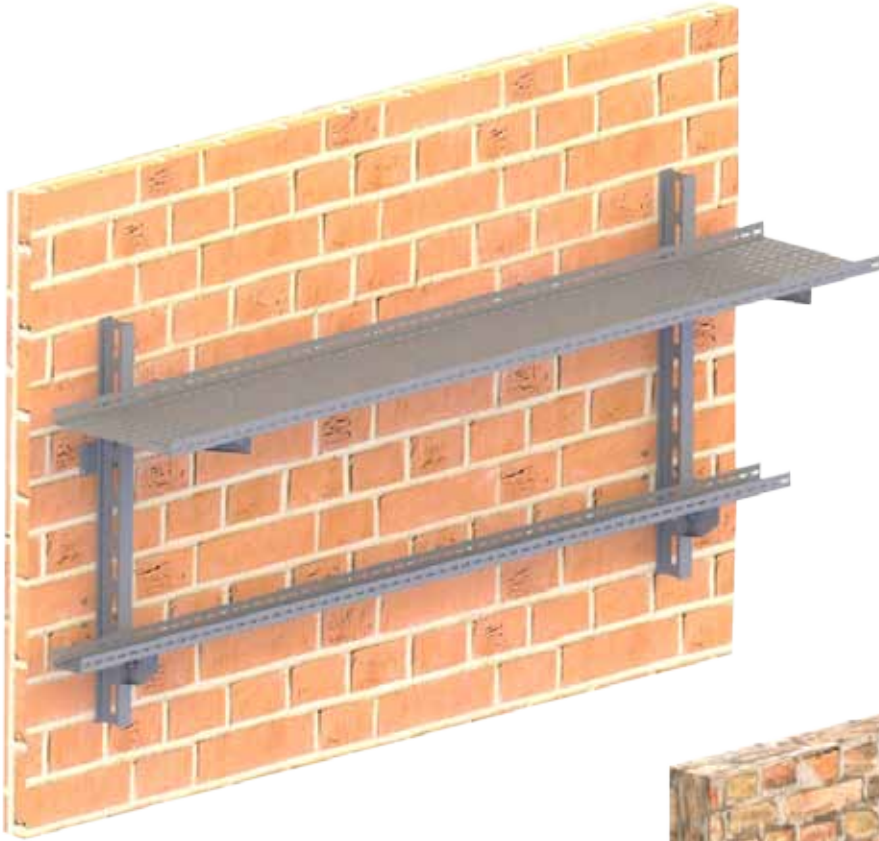
I HANGING SUPPORTS (CEILING)

| Order Code   | Length L (mm) | Hot Dip Galvanization /Weight (kg/piece) |
|--------------|---------------|--|
| ZEY.TID.200  | 200           | 1,90                                     |
| ZEY.TID.300  | 300           | 2,50                                     |
| ZEY.TID.400  | 400           | 3,10                                     |
| ZEY.TID.500  | 500           | 3,70                                     |
| ZEY.TID.600  | 600           | 4,30                                     |
| ZEY.TID.700  | 700           | 4,90                                     |
| ZEY.TID.800  | 800           | 5,50                                     |
| ZEY.TID.900  | 900           | 6,10                                     |
| ZEY.TID.1000 | 1000          | 6,70                                     |
| ZEY.TID.1100 | 1100          | 7,30                                     |
| ZEY.TID.1200 | 1200          | 7,90                                     |
| ZEY.TID.1300 | 1300          | 8,50                                     |
| ZEY.TID.1400 | 1400          | 9,10                                     |
| ZEY.TID.1500 | 1500          | 9,70                                     |
| ZEY.TID.1600 | 1600          | 10,30                                    |
| ZEY.TID.1700 | 1700          | 10,90                                    |
| ZEY.TID.1800 | 1800          | 11,50                                    |
| ZEY.TID.1900 | 1900          | 12,10                                    |
| ZEY.TID.2000 | 2000          | 12,70                                    |



## SUPPORT SYSTEMS

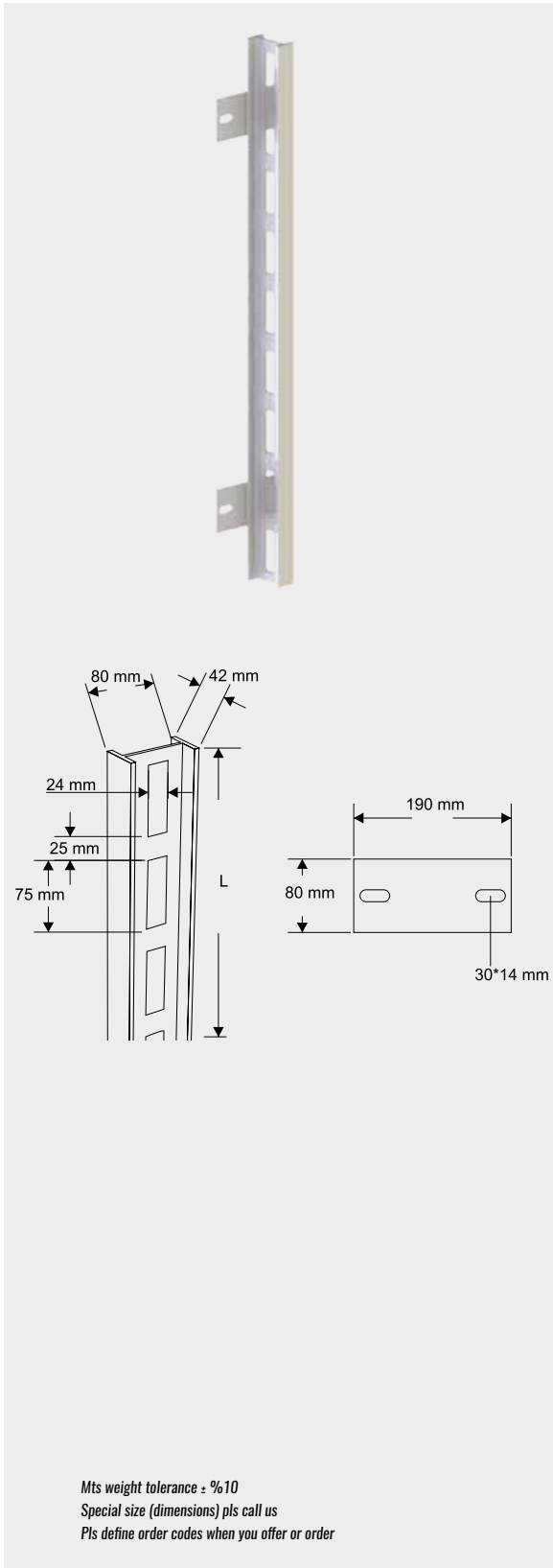
### I SUPPORT FOR WALL APPLICATION AND FIXING DETAILS





I SUPPORT FOR WALL

| Order Code   | Length L (mm) | Hot Dip Galvanization /Weight (kg/piece) |
|--------------|---------------|--|
| ZEY.DID.200  | 200           | 1,55                                     |
| ZEY.DID.300  | 300           | 2,15                                     |
| ZEY.DID.400  | 400           | 2,75                                     |
| ZEY.DID.500  | 500           | 3,35                                     |
| ZEY.DID.600  | 600           | 3,95                                     |
| ZEY.DID.700  | 700           | 4,55                                     |
| ZEY.DID.800  | 800           | 5,15                                     |
| ZEY.DID.900  | 900           | 5,75                                     |
| ZEY.DID.1000 | 1000          | 6,35                                     |
| ZEY.DID.1100 | 1100          | 6,95                                     |
| ZEY.DID.1200 | 1200          | 7,73                                     |
| ZEY.DID.1300 | 1300          | 8,33                                     |
| ZEY.DID.1400 | 1400          | 8,93                                     |
| ZEY.DID.1500 | 1500          | 9,53                                     |
| ZEY.DID.1600 | 1600          | 10,30                                    |
| ZEY.DID.1700 | 1700          | 10,90                                    |
| ZEY.DID.1800 | 1800          | 11,50                                    |
| ZEY.DID.1900 | 1900          | 12,10                                    |
| ZEY.DID.2000 | 2000          | 12,70                                    |

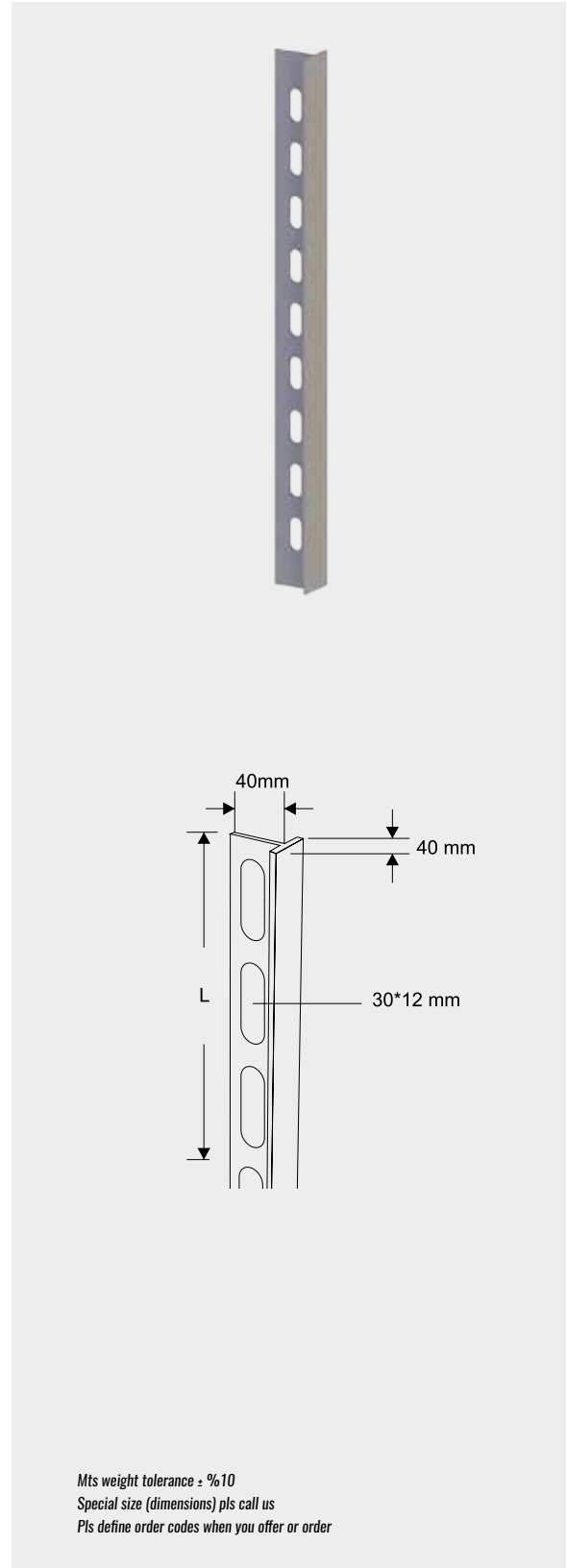


Mts weight tolerance  $\pm$  %10  
 Special size (dimensions) pls call us  
 Pls define order codes when you offer or order

## SUPPORT SYSTEMS

### T SUPPORTS

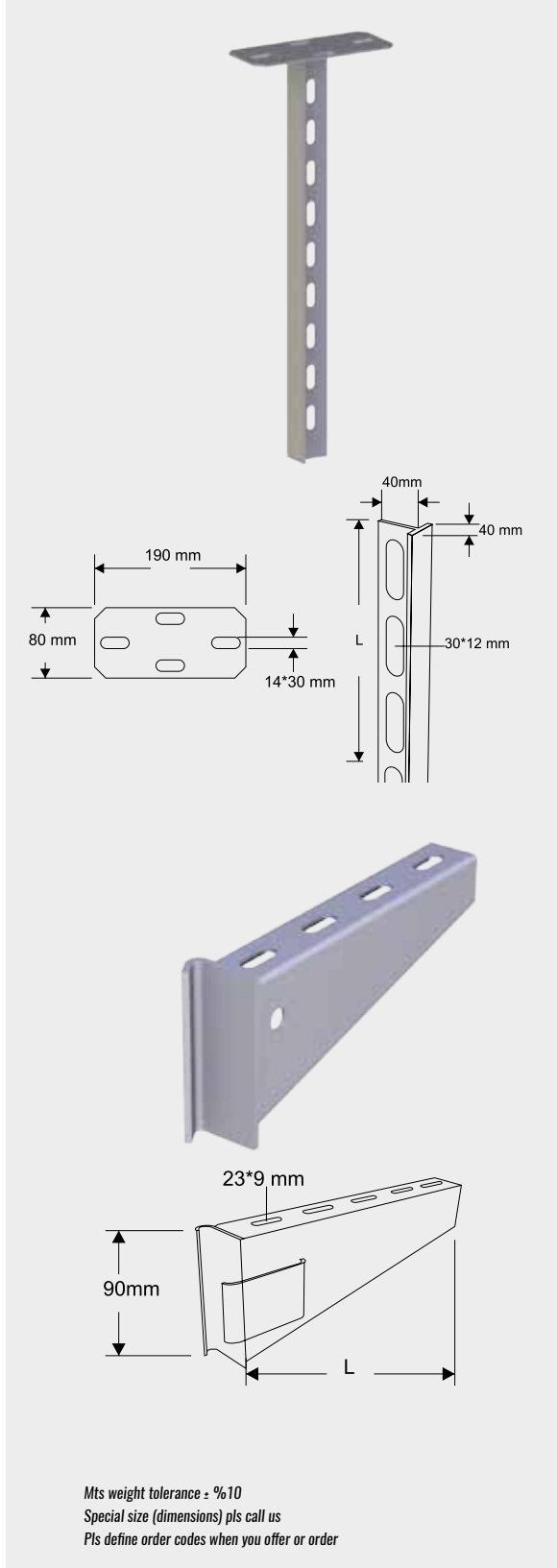
| Order Code  | Length L (mm) | Hot Dip Galvanization /Weight (kg/piece) |
|-------------|---------------|--|
| ZEY.TD.200  | 200           | 0,43                                     |
| ZEY.TD.300  | 300           | 0,64                                     |
| ZEY.TD.400  | 400           | 0,86                                     |
| ZEY.TD.500  | 500           | 1,07                                     |
| ZEY.TD.600  | 600           | 1,29                                     |
| ZEY.TD.700  | 700           | 1,50                                     |
| ZEY.TD.800  | 800           | 1,71                                     |
| ZEY.TD.900  | 900           | 1,93                                     |
| ZEY.TD.1000 | 1000          | 2,14                                     |
| ZEY.TD.1100 | 1100          | 2,36                                     |
| ZEY.TD.1200 | 1200          | 2,57                                     |
| ZEY.TD.1300 | 1300          | 2,78                                     |
| ZEY.TD.1400 | 1400          | 3,00                                     |
| ZEY.TD.1500 | 1500          | 3,21                                     |
| ZEY.TD.1600 | 1600          | 3,43                                     |
| ZEY.TD.1700 | 1700          | 3,64                                     |
| ZEY.TD.1800 | 1800          | 3,86                                     |
| ZEY.TD.1900 | 1900          | 4,07                                     |
| ZEY.TD.2000 | 2000          | 4,28                                     |



Mts weight tolerance  $\pm$  %10  
 Special size (dimensions) pls call us  
 Pls define order codes when you offer or order

**T HANGING SUPPORTS (CEILING)**

| Order Code   | Length L (mm) | Hot Dip Galvanization /Weight (kg/piece) |
|--------------|---------------|--|
| ZEY.TDB.200  | 200           | 1,13                                     |
| ZEY.TDB.300  | 300           | 1,34                                     |
| ZEY.TDB.400  | 400           | 1,56                                     |
| ZEY.TDB.500  | 500           | 1,77                                     |
| ZEY.TDB.600  | 600           | 1,99                                     |
| ZEY.TDB.700  | 700           | 2,20                                     |
| ZEY.TDB.800  | 800           | 2,41                                     |
| ZEY.TDB.900  | 900           | 2,63                                     |
| ZEY.TDB.1000 | 1000          | 2,84                                     |
| ZEY.TDB.1100 | 1100          | 3,06                                     |
| ZEY.TDB.1200 | 1200          | 3,27                                     |
| ZEY.TDB.1300 | 1300          | 3,48                                     |
| ZEY.TDB.1400 | 1400          | 3,70                                     |
| ZEY.TDB.1500 | 1500          | 3,91                                     |
| ZEY.TDB.1600 | 1600          | 4,13                                     |
| ZEY.TDB.1700 | 1700          | 4,34                                     |
| ZEY.TDB.1800 | 1800          | 4,56                                     |
| ZEY.TDB.1900 | 1900          | 4,77                                     |
| ZEY.TDB.2000 | 2000          | 4,98                                     |

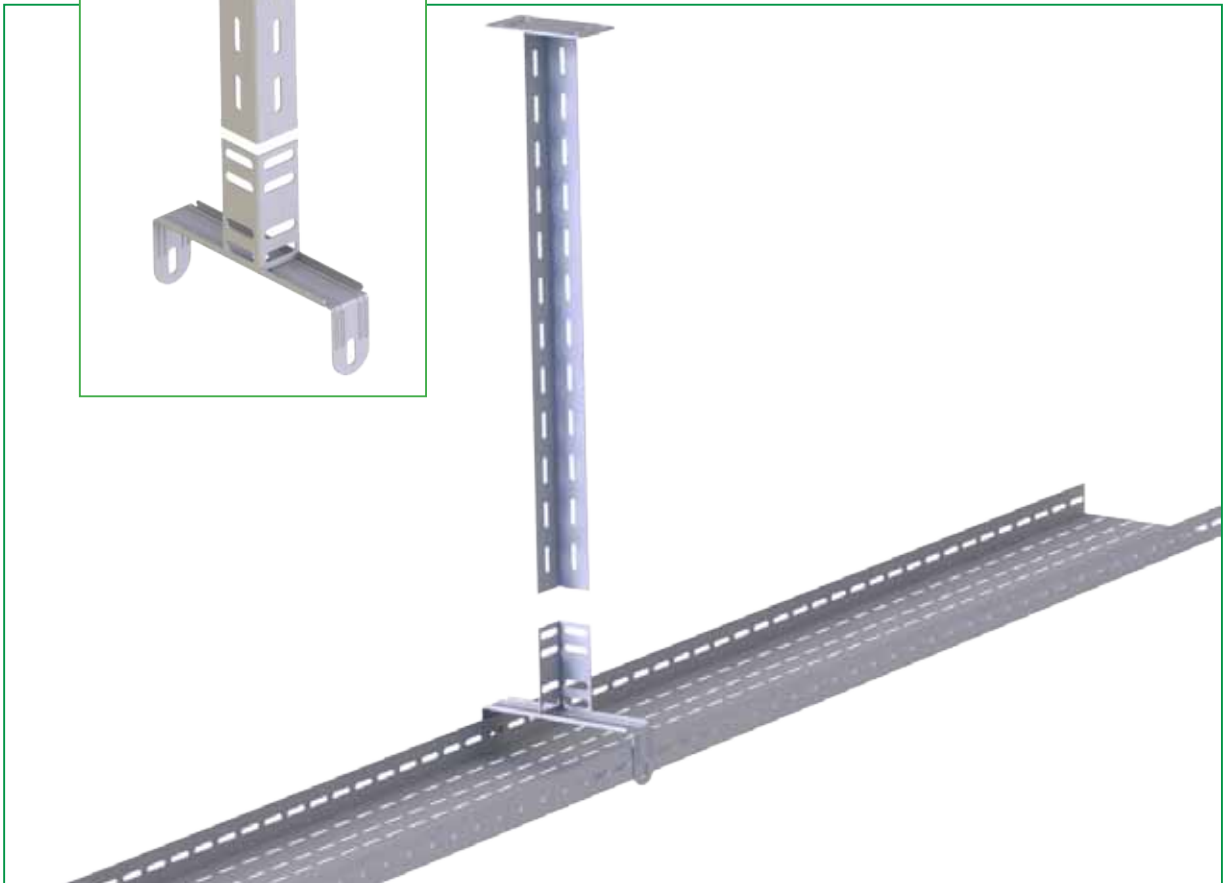
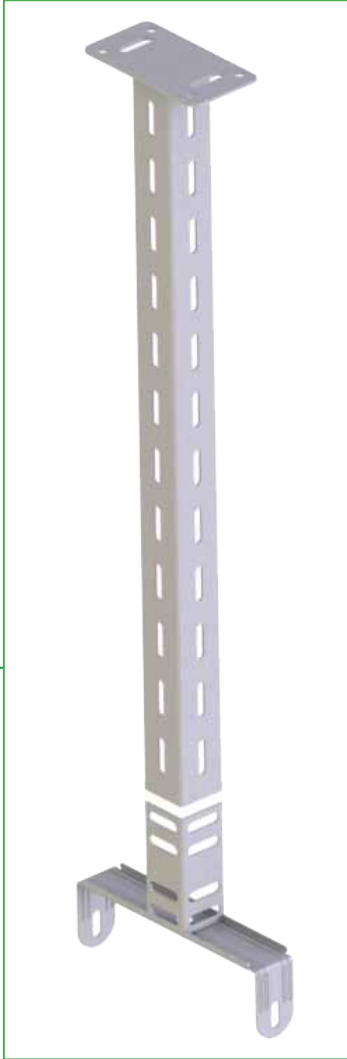


**I - T BRACKETS**

| Order Code  | Length L (mm) | Hot Dip Galvanization /Weight (kg/piece) |
|-------------|---------------|--|
| ZEY.IDK.100 | 100           | 0,45                                     |
| ZEY.IDK.150 | 150           | 0,55                                     |
| ZEY.IDK.200 | 200           | 0,65                                     |
| ZEY.IDK.250 | 250           | 0,70                                     |
| ZEY.IDK.300 | 300           | 0,80                                     |
| ZEY.IDK.400 | 400           | 1,00                                     |
| ZEY.IDK.500 | 500           | 1,35                                     |
| ZEY.IDK.600 | 600           | 1,60                                     |

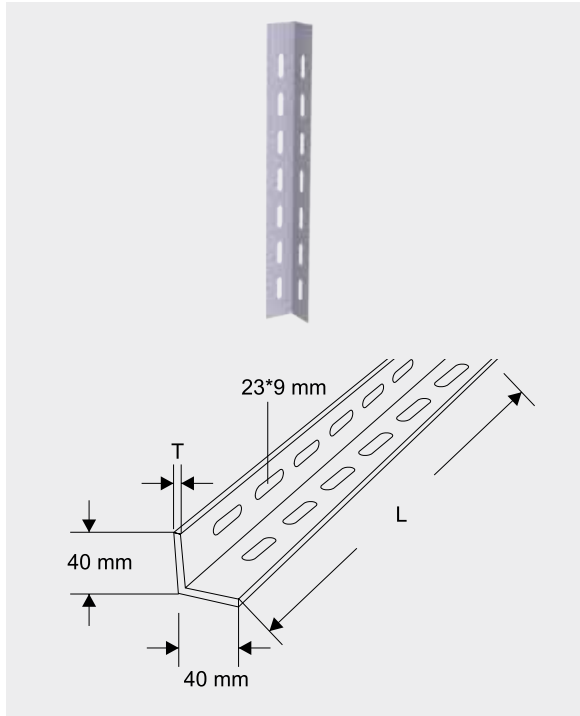
Mts weight tolerance = %10  
 Special size (dimensions) pls call us  
 Pls define order codes when you offer or order

### L SUPPORTS APPLICATION AND FIXING DETAILS



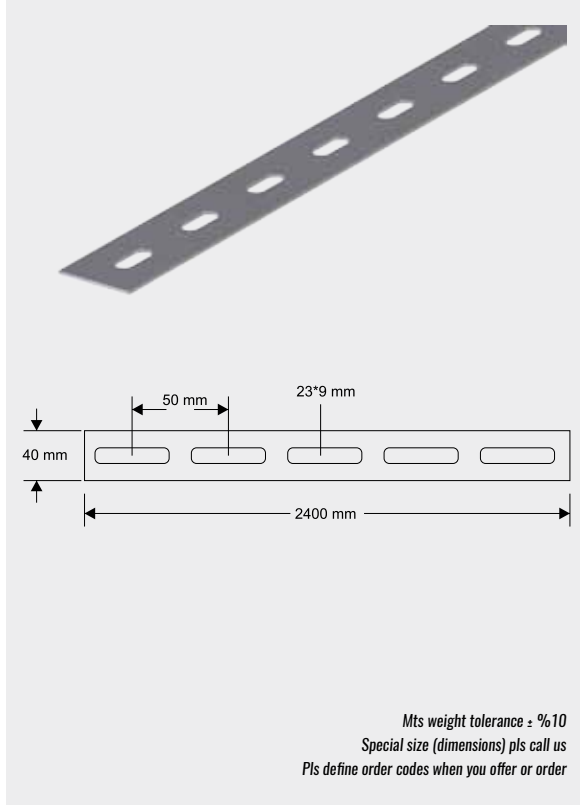
L SUPPORTS

| Order Code  | Length L (mm) | Thickness T (mm) | Sendzimir Galvanization /Weight (kg/piece) | Hot Dip Galvanization /Weight (kg/piece) |
|-------------|---------------|------------------|--|--|
| ZEY.LD.500  | 500           | 2                | 0,57                                       | 0,62                                     |
| ZEY.LD.600  | 600           | 2                | 0,68                                       | 0,75                                     |
| ZEY.LD.800  | 800           | 2                | 0,90                                       | 0,99                                     |
| ZEY.LD.1000 | 1000          | 2                | 1,13                                       | 1,24                                     |
| ZEY.LD.1200 | 1200          | 2                | 1,36                                       | 1,49                                     |
| ZEY.LD.2000 | 2000          | 2                | 2,26                                       | 2,49                                     |
| ZEY.LD.2400 | 2400          | 2                | 2,71                                       | 2,98                                     |



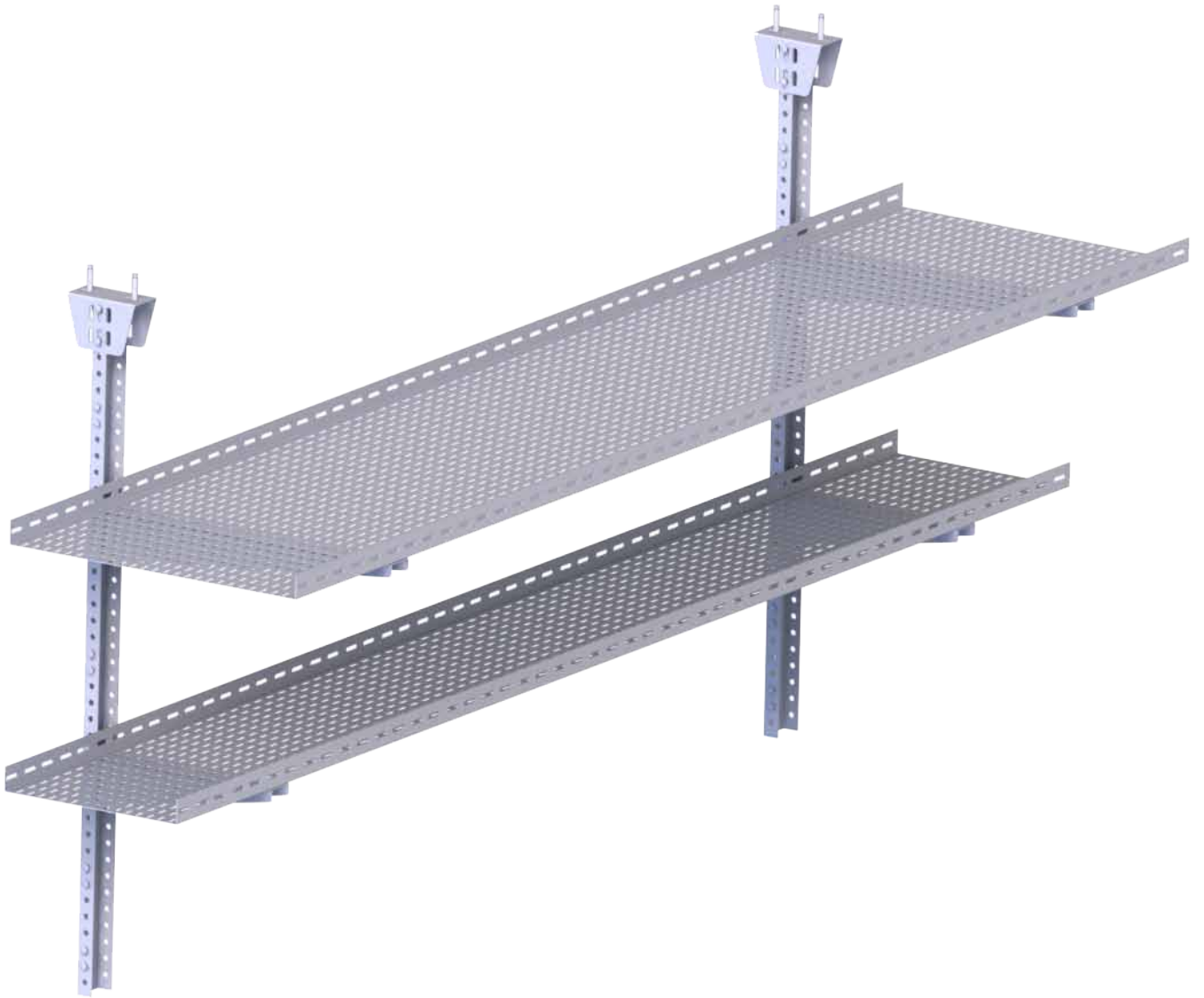
CEILING SUPPORT BAR

| Order Code | Length L (mm) | Thickness T (mm) | Sendzimir Galvanization /Weight (kg/piece) | Hot Dip Galvanization /Weight (kg/piece) |
|------------|---------------|------------------|--|--|
| ZEY.ASK.1  | 2400          | 2                | 1,35                                       | 1,48                                     |

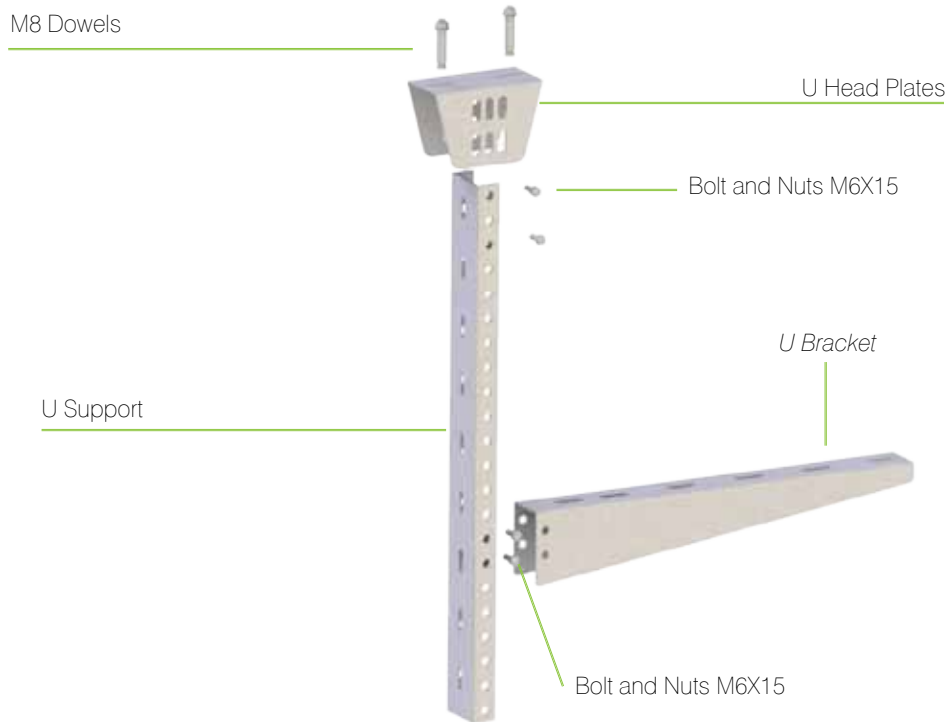


Mts weight tolerance ± %10  
Special size (dimensions) pls call us  
Pls define order codes when you offer or order

### U SUPPORTS APPLICATION AND FIXING DETAILS



U SUPPORTS APPLICATION AND FIXING DETAILS



U SUPPORTS DOOBLE SIDE APPLICATION



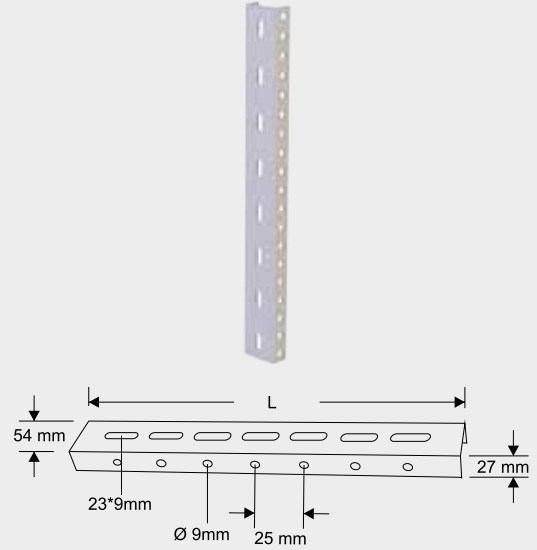
RTS SINGLE SIDE APPLICATION



## SUPPORT SYSTEMS

### U SUPPORTS

| Order Code  | Length L (mm) | Thickness T (mm) | Sendzimir Galvanization /Weight (kg/piece) | Hot Dip Galvanization /Weight (kg/piece) |
|-------------|---------------|------------------|--|--|
| ZEY.UD.200  | 200           | 2                | 0,28                                       | 0,31                                     |
| ZEY.UD.300  | 300           | 2                | 0,42                                       | 0,47                                     |
| ZEY.UD.400  | 400           | 2                | 0,57                                       | 0,62                                     |
| ZEY.UD.600  | 600           | 2                | 0,85                                       | 0,93                                     |
| ZEY.UD.800  | 800           | 2                | 1,13                                       | 1,24                                     |
| ZEY.UD.1000 | 1000          | 2                | 1,41                                       | 1,55                                     |
| ZEY.UD.1200 | 1200          | 2                | 1,70                                       | 1,87                                     |
| ZEY.UD.2000 | 2000          | 2                | 2,83                                       | 3,11                                     |
| ZEY.UD.2400 | 2400          | 2                | 3,37                                       | 3,71                                     |



### U SUPPORTS WITH CEILING UNIT

| Order Code   | Length L (mm) | Thickness T (mm) | Sendzimir Galvanization /Weight (kg/piece) | Hot Dip Galvanization /Weight (kg/piece) |
|--------------|---------------|------------------|--|--|
| ZEY.TUD.200  | 200           | 2                | 0,34                                       | 0,37                                     |
| ZEY.TUD.300  | 300           | 2                | 0,48                                       | 0,53                                     |
| ZEY.TUD.400  | 400           | 2                | 0,62                                       | 0,68                                     |
| ZEY.TUD.600  | 600           | 2                | 0,90                                       | 0,99                                     |
| ZEY.TUD.800  | 800           | 2                | 1,19                                       | 1,31                                     |
| ZEY.TUD.1000 | 1000          | 2                | 1,47                                       | 1,62                                     |
| ZEY.TUD.1200 | 1200          | 2                | 1,75                                       | 1,93                                     |
| ZEY.TUD.2000 | 2000          | 2                | 2,88                                       | 3,17                                     |
| ZEY.TUD.2400 | 2400          | 2                | 3,43                                       | 3,77                                     |

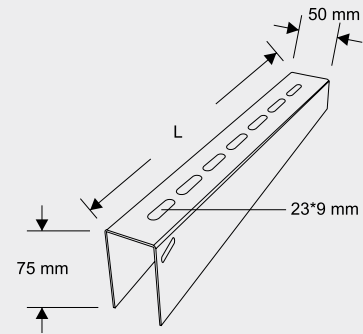
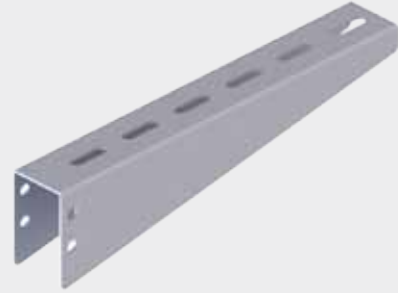


Mts weight tolerance : %10  
Special size (dimensions) pls call us  
Pls define order codes when you offer or order



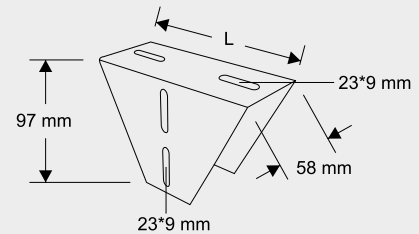
## U BRACKETS

| Order Code         | Length L (mm) | Width A (mm) | Thickness T (mm) | Sendzimir Galvanization /Weight (kg/piece) | Hot Dip Galvanization /Weight (kg/piece) |
|--------------------|---------------|--------------|------------------|--|--|
| <b>ZEY.UDK.100</b> | 100           | 75           | 2                | 0,24                                       | 0,26                                     |
| <b>ZEY.UDK.150</b> | 150           | 75           | 2                | 0,35                                       | 0,38                                     |
| <b>ZEY.UDK.200</b> | 200           | 75           | 2                | 0,45                                       | 0,50                                     |
| <b>ZEY.UDK.250</b> | 250           | 75           | 2                | 0,58                                       | 0,63                                     |
| <b>ZEY.UDK.300</b> | 300           | 75           | 2                | 0,67                                       | 0,71                                     |
| <b>ZEY.UDK.400</b> | 400           | 75           | 2                | 0,87                                       | 0,94                                     |
| <b>ZEY.UDK.500</b> | 500           | 75           | 2                | 1,08                                       | 1,15                                     |
| <b>ZEY.UDK.600</b> | 600           | 75           | 2                | 1,29                                       | 1,37                                     |



## HEAD PLATES FOR U SUPPORTS

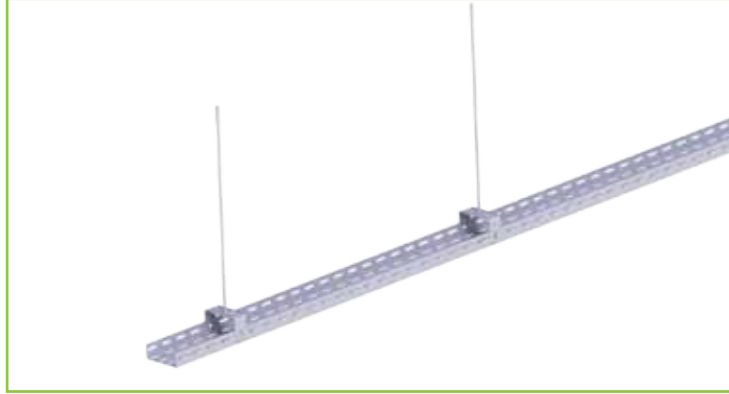
| Order Code        | Length L (mm) | Thickness T (mm) | Sendzimir Galvanization /Weight (kg/piece) | Hot Dip Galvanization /Weight (kg/piece) |
|-------------------|---------------|------------------|--|--|
| <b>ZEY.UDTB.1</b> | 150           | 2                | 0,30                                       | 0,325                                    |



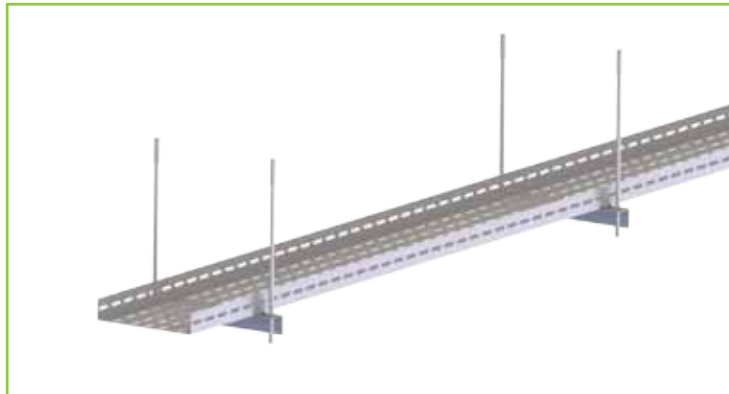
Mts weight tolerance : %10  
 Special size (dimensions) pls call us  
 Pls define order codes when you offer or order

## SUPPORT SYSTEMS

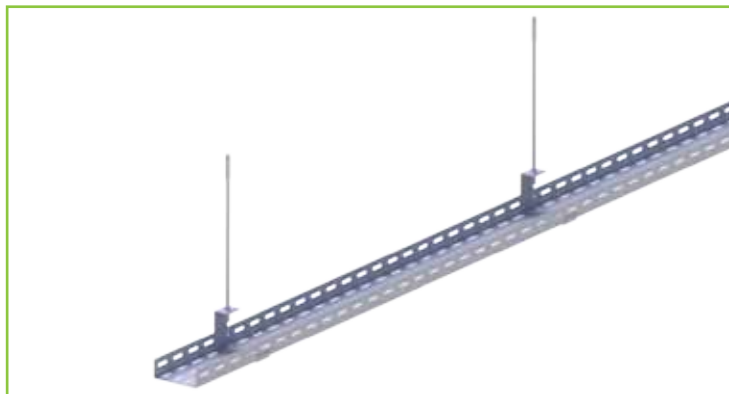
### TRAY UP APPLICATION AND FIXING DETAILS



### TRAY DOWN APPLICATION AND FIXING DETAILS

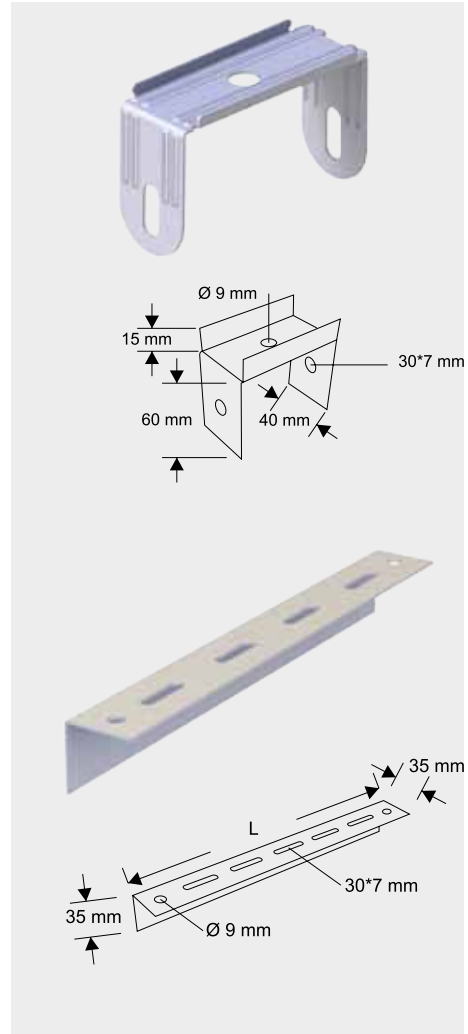


### C TYPE SUPPORT APPLICATION AND FIXING DETAILS



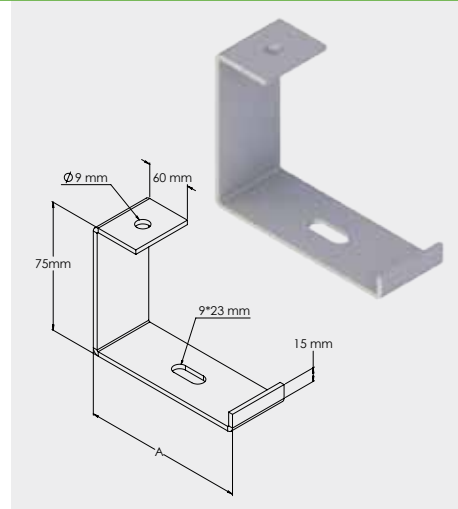
## TRAY CARRIES WITH THREADED ROD

| Order Code         | Length L (mm) | Thickness T (mm) | Sendzimir Galvanization /Weight (kg/piece) | Hot Dip Galvanization /Weight (kg/piece) |
|--------------------|---------------|------------------|--|--|
| <b>ZEY.KUK.50</b>  | 50            | 1,5              | 0,085                                      | 0,094                                    |
| <b>ZEY.KUK.100</b> | 100           | 1,5              | 0,115                                      | 0,127                                    |
| <b>ZEY.KUK.150</b> | 150           | 1,5              | 0,150                                      | 0,165                                    |
| <b>ZEY.KUK.200</b> | 200           | 1,5              | 0,175                                      | 0,193                                    |
| <b>ZEY.KAK.100</b> | 160           | 1,5              | 0,120                                      | 0,132                                    |
| <b>ZEY.KAK.200</b> | 260           | 1,5              | 0,270                                      | 0,297                                    |
| <b>ZEY.KAK.250</b> | 310           | 1,5              | 0,305                                      | 0,336                                    |
| <b>ZEY.KAK.300</b> | 360           | 2                | 0,350                                      | 0,385                                    |
| <b>ZEY.KAK.400</b> | 460           | 2                | 0,440                                      | 0,484                                    |
| <b>ZEY.KAK.500</b> | 560           | 2                | 0,535                                      | 0,589                                    |
| <b>ZEY.KAK.600</b> | 660           | 2                | 0,630                                      | 0,693                                    |



## C TYPE SUPPORT

| Order Code        | Width A (mm) | Thickness T (mm) | Sendzimir Galvanization /Weight (kg/piece) | Hot Dip Galvanization /Weight (kg/piece) |
|-------------------|--------------|------------------|--|--|
| <b>ZEY.CD.50</b>  | 60           | 3                | 0,16                                       | 0,176                                    |
| <b>ZEY.CD.100</b> | 110          | 3                | 0,207                                      | 0,228                                    |
| <b>ZEY.CD.150</b> | 160          | 3                | 0,263                                      | 0,289                                    |
| <b>ZEY.CD.200</b> | 210          | 3                | 0,395                                      | 0,435                                    |

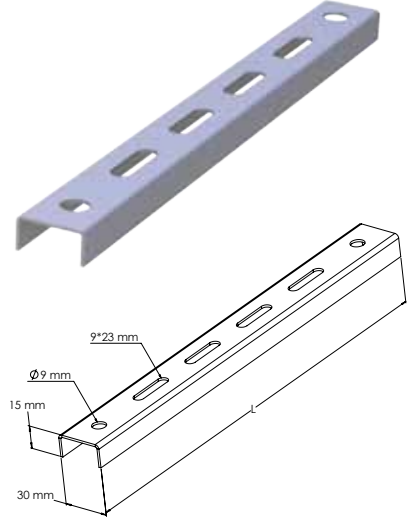


Mts weight tolerance  $\pm$  %10  
 Special size (dimensions) pls call us  
 Pls define order codes when you offer or order

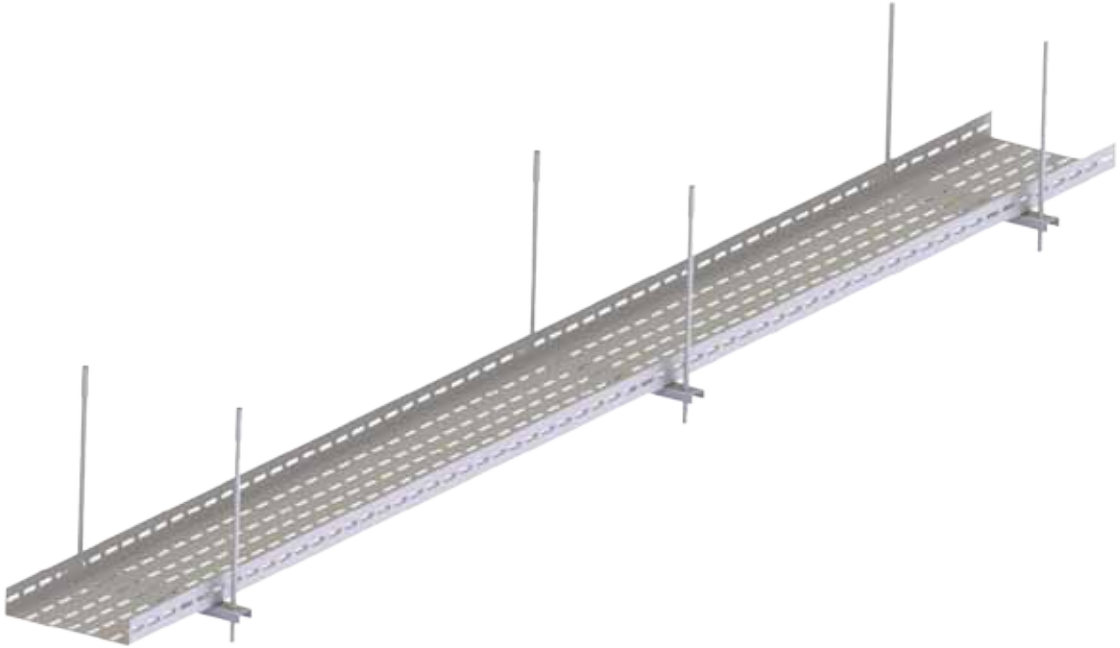
## SUPPORT SYSTEMS

### U TYPE BOLT - NUTS SUPPORTS

| Order Code         | Length L (mm) | Width A (mm) | Height H (mm) | Thickness T (mm) | Sendzimir Galvanization /Weight (kg/piece) | Hot Dip Galvanization /Weight (kg/piece) |
|--------------------|---------------|--------------|---------------|------------------|--|--|
| <b>ZEY.TUT.100</b> | 160           | 30           | 15            | 1,5              | 0,101                                      | 0,111                                    |
| <b>ZEY.TUT.150</b> | 210           | 30           | 15            | 1,5              | 0,133                                      | 0,146                                    |
| <b>ZEY.TUT.200</b> | 260           | 30           | 15            | 1,5              | 0,165                                      | 0,182                                    |
| <b>ZEY.TUT.250</b> | 310           | 30           | 15            | 1,5              | 0,197                                      | 0,217                                    |
| <b>ZEY.TUT.300</b> | 360           | 30           | 15            | 1,5              | 0,229                                      | 0,252                                    |
| <b>ZEY.TUT.400</b> | 460           | 30           | 15            | 1,5              | 0,292                                      | 0,321                                    |
| <b>ZEY.TUT.500</b> | 560           | 30           | 15            | 1,5              | 0,356                                      | 0,392                                    |
| <b>ZEY.TUT.600</b> | 660           | 30           | 15            | 1,5              | 0,420                                      | 0,462                                    |



### U TYPE BOLT - NUTS SUPPORT APPLICATION AND FIXING DETAILS



WALL BRACKET APPLICATION AND FIXING DETAILS



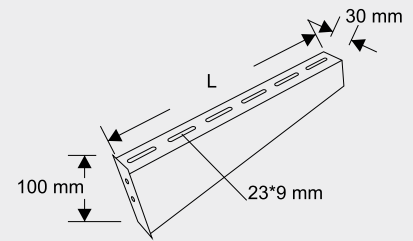
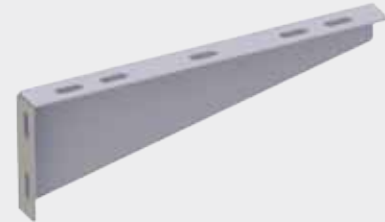
WELDED WALL BRACKET APPLICATION AND FIXING DETAILS



## SUPPORT SYSTEMS

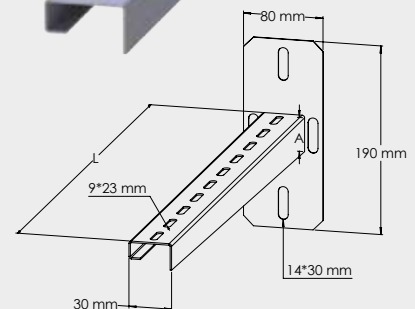
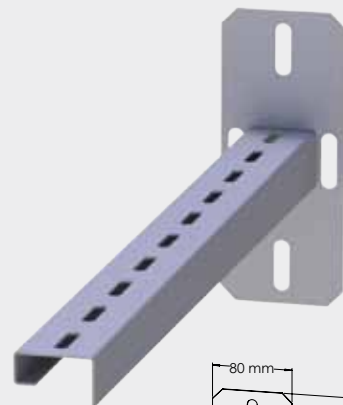
### WALL BRACKETS

| Order Code        | Length L (mm) | Width A (mm) | Thickness T (mm) | Sendzimir Galvanization /Weight (kg/piece) | Hot Dip Galvanization /Weight (kg/piece) |
|-------------------|---------------|--------------|------------------|--|--|
| <b>ZEY.DK.50</b>  | 50            | 100          | 1,5              | 0,075                                      | 0,083                                    |
| <b>ZEY.DK.100</b> | 100           | 100          | 1,5              | 0,125                                      | 0,138                                    |
| <b>ZEY.DK.150</b> | 150           | 100          | 1,5              | 0,175                                      | 0,193                                    |
| <b>ZEY.DK.200</b> | 200           | 100          | 1,5              | 0,235                                      | 0,259                                    |
| <b>ZEY.DK.250</b> | 250           | 100          | 1,5              | 0,280                                      | 0,308                                    |
| <b>ZEY.DK.300</b> | 300           | 100          | 1,5              | 0,350                                      | 0,385                                    |
| <b>ZEY.DK.400</b> | 400           | 100          | 2                | 0,445                                      | 0,490                                    |
| <b>ZEY.DK.500</b> | 500           | 100          | 2                | 0,750                                      | 0,825                                    |
| <b>ZEY.DK.600</b> | 600           | 100          | 2                | 0,885                                      | 0,974                                    |



### WELDED WALL BRACKET

| Order Code         | Length L (mm) | Width A (mm) | Thickness T (mm) | Sendzimir Galvanization /Weight (kg/piece) | Hot Dip Galvanization /Weight (kg/piece) |
|--------------------|---------------|--------------|------------------|--|--|
| <b>ZEY.ADK.50</b>  | 50            | 75           | 2                | 0,353                                      | 0,388                                    |
| <b>ZEY.ADK.100</b> | 100           | 75           | 2                | 0,424                                      | 0,466                                    |
| <b>ZEY.ADK.150</b> | 150           | 75           | 2                | 0,494                                      | 0,544                                    |
| <b>ZEY.ADK.200</b> | 200           | 75           | 2                | 0,565                                      | 0,621                                    |
| <b>ZEY.ADK.250</b> | 250           | 75           | 2                | 0,636                                      | 0,699                                    |
| <b>ZEY.ADK.300</b> | 300           | 75           | 2                | 0,706                                      | 0,777                                    |
| <b>ZEY.ADK.400</b> | 400           | 75           | 2                | 0,847                                      | 0,932                                    |
| <b>ZEY.ADK.500</b> | 500           | 75           | 2                | 0,989                                      | 1,088                                    |
| <b>ZEY.ADK.600</b> | 600           | 75           | 2                | 1,130                                      | 1,243                                    |



Mts weight tolerance  $\pm$  %10

Special size (dimensions) pls call us

Pls define order codes when you offer or order

## C PROFILES

| Order Code | Length L (mm) | Width A (mm) | Height H (mm) | Thickness T (mm) | Sendzimir Galvanization /Weight (kg/mt) | Hot Dip Galvanization /Weight (kg/mt) |
|------------|---------------|--------------|---------------|------------------|---|---------------------------------------|
| ZEY.CP1-21 | 2400          | 40           | 21            | 1,5              | 2,59                                    | 2,82                                  |
| ZEY.CP2-21 | 2400          | 40           | 21            | 2                | 3,45                                    | 3,76                                  |

## C PROFILES

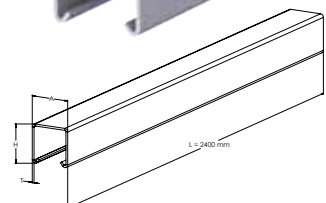
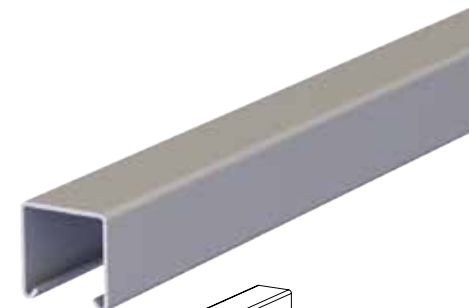
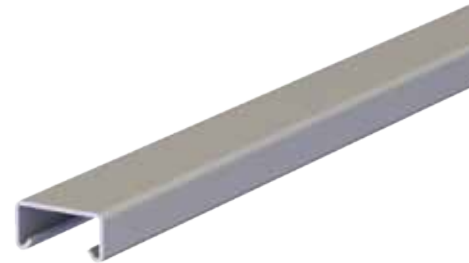
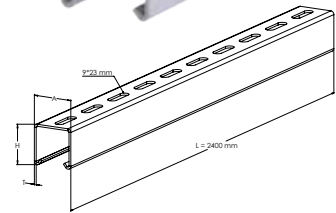
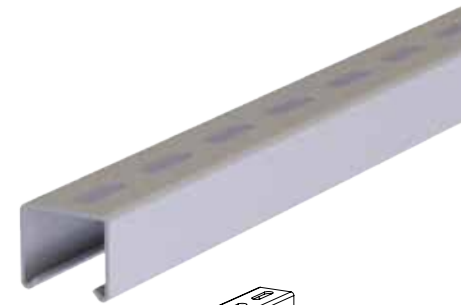
| Order Code | Length L (mm) | Width A (mm) | Height H (mm) | Thickness T (mm) | Sendzimir Galvanization /Weight (kg/mt) | Hot Dip Galvanization /Weight (kg/mt) |
|------------|---------------|--------------|---------------|------------------|---|---------------------------------------|
| ZEY.CP1-40 | 2400          | 40           | 40            | 1,5              | 3,55                                    | 3,87                                  |
| ZEY.CP2-40 | 2400          | 40           | 40            | 2                | 4,74                                    | 5,17                                  |

## UNPUNCHED C PROFILES

| Order Code | Length L (mm) | Width A (mm) | Height H (mm) | Thickness T (mm) | Sendzimir Galvanization /Weight (kg/mt) | Hot Dip Galvanization /Weight (kg/mt) |
|------------|---------------|--------------|---------------|------------------|---|---------------------------------------|
| ZEY.CP3-21 | 2400          | 40           | 21            | 1,5              | 2,88                                    | 3,14                                  |
| ZEY.CP4-21 | 2400          | 40           | 21            | 2                | 3,84                                    | 4,19                                  |

## UNPUNCHED C PROFILES

| Order Code | Length L (mm) | Width A (mm) | Height H (mm) | Thickness T (mm) | Sendzimir Galvanization /Weight (kg/mt) | Hot Dip Galvanization /Weight (kg/mt) |
|------------|---------------|--------------|---------------|------------------|---|---------------------------------------|
| ZEY.CP3-40 | 2400          | 40           | 40            | 1,5              | 3,95                                    | 4,31                                  |
| ZEY.CP4-40 | 2400          | 40           | 40            | 2                | 5,27                                    | 5,75                                  |



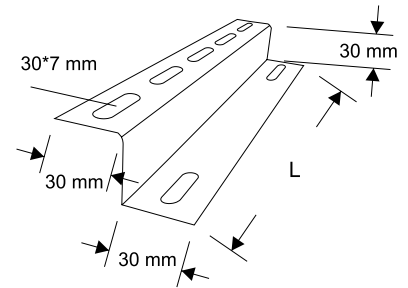
## SUPPORT SYSTEMS

### TRAY RISING BRACKET APPLICATION AND FIXING DETAILS



### RISING BRACKETS FOR WALL AND FLOOR

| Order Code         | Length L (mm) | Width A (mm) | Thickness T (mm) | Sendzimir Galvanization /Weight (kg/piece) | Hot Dip Galvanization /Weight (kg/piece) |
|--------------------|---------------|--------------|------------------|--|--|
| <b>ZEY.KYK.50</b>  | 50            | 30           | 1,5              | 0,048                                      | 0,052                                    |
| <b>ZEY.KYK.100</b> | 100           | 30           | 1,5              | 0,100                                      | 0,110                                    |
| <b>ZEY.KYK.150</b> | 150           | 30           | 1,5              | 0,150                                      | 0,165                                    |
| <b>ZEY.KYK.200</b> | 200           | 30           | 1,5              | 0,191                                      | 0,210                                    |
| <b>ZEY.KYK.250</b> | 250           | 30           | 1,5              | 0,238                                      | 0,262                                    |
| <b>ZEY.KYK.300</b> | 300           | 30           | 2                | 0,415                                      | 0,457                                    |
| <b>ZEY.KYK.400</b> | 400           | 30           | 2                | 0,535                                      | 0,589                                    |
| <b>ZEY.KYK.500</b> | 500           | 30           | 2                | 0,680                                      | 0,748                                    |
| <b>ZEY.KYK.600</b> | 600           | 30           | 2                | 0,825                                      | 0,908                                    |





### THREADED RODS

| Order Code | Length L (mm) | Tooth Size | Weight (kg/piece) |
|------------|---------------|------------|-------------------|
| ZEY.TİJ.1  | 1000          | M8 Tij     | 0,300             |
| ZEY.TİJ.2  | 2000          | M8 Tij     | 0,600             |

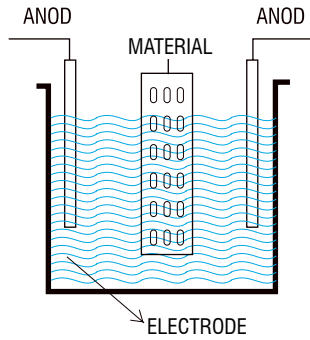
### PIN AND STEEL DOWEL

| Order Code  | Uzunluk Product Name     | Weight (kg/piece) |
|-------------|--------------------------|-------------------|
| ZEY.CEKD.M8 | M8 Steel Wall Peg Type 1 | 0,040             |
| ZEY.CAKD.M8 | M8 Steel Wall Peg Type 2 | 0,022             |
| ZEY.KOV.M8  | Expansion Nuts           | 0,030             |
| ZEY.KOP.1   | Pin                      | 0,035             |

### BOLT, NUT, WASHER

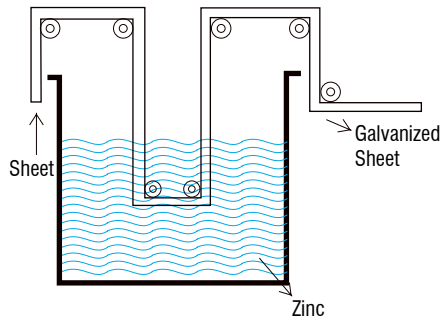
| Order Code    | Uzunluk Product Name  | Weight (kg/piece) |
|---------------|-----------------------|-------------------|
| ZEY.CSP.M6    | M6*15 Bolt Nut Washer | 0,023             |
| ZEY.CIVATA.M6 | M6*15 Bolt            | 0,006             |
| ZEY.CIVATA.M8 | M8*15 Bolt            | 0,010             |
| ZEY.SOMUN.M6  | M6 Nut                | 0,002             |
| ZEY.SOMUN.M8  | M8 Nut                | 0,005             |
| ZEY.FSOMUN.M6 | M6 Flanged Nut        | 0,006             |
| ZEY.FSOMUN.M8 | M8 Flanged Nut        | 0,009             |
| ZEY.PUL.M6    | M6 Washer             | 0,015             |
| ZEY.PUL.M8    | M8 Washer             | 0,020             |





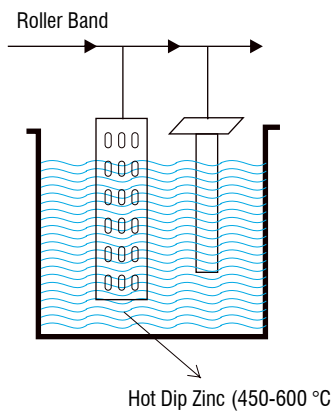
## Electro Galvanization

After the treatment of the prepared steel metal surface for corrosion protection electro-galvanizing coating applied for this purpose. Thickness of zinc coating 8-12 Micron



## Sendzimir Galvanization

This type of coating is for continuously hot-dip zinc coated flat products in thicknesses <2,5 mm made of the steels. Thickness of zinc coating 15-20  $\mu$  (Mikron)



## Hot Dip Galvanization

(TS 914 EN ISO 1461)

Hot dip galvanizing is done after fabrication which results in a compact zinc surface. Hot dip galvanizing is better protection other method. Thickness of zinc coating 40-60  $\mu$  (Mikron)



### ELECTRO STATIC POWDER COATING

Used the indoor decoration materials and the other mts coated according to the RAL color catalogue in our painting section applied electro static powder coated Technologies (methods).

**19" GOLD LINE STANDING TYPE RACK CABINETS**



- Our Bestrack Standing Type Cabinets different depth size and heights give to clients large selection.
- Multi-bending body frames, bottom and top base strength reinforce construction.

**STRUCTURED DETAILED**

**Main Body Profile Construction;**

**Top&Bottom plates&Mainframe verticals;** In a single piece top &bottom base (chassis) thickness 1,5 mm, main frame profiles connected 32 points also modular structured.

**Carcass Verticals;** 1,5 mm thickness mild steel and 6 twisted 1,5 mm thickness mild steel strengthen.

**Top Cover;** easy to removable and to reach to the fan module.

**Front Door;** On 1,5 mm metal frame 4mm-6mm tempered glass door, one point loced arm-lock, for changing direction mill springe hinged. For optional 3 point-locked system also can apply with a special 3 cm wide metal frame fort he protect the door.

**Side Panels;** 1-1,5 mm metal thick cylindric type lock fix mechanisme and bolt-lock out middle pin system, locable and removable so easy to maintain. On cover there are ventilation holes so air circulation much easy.

**Back Door;** 1,5mm metal thick for 600 mm cabinets one, 800 mm cabinets double-angle products. 32U and upper sizes cabinets back doors top&bottom for cable inlet with brushes cable inlet used.

**Cable Inlet;** From bottom plate , back door top & bottom section cable inlet is available. Also bottom chassis have in-line 19" 2U Blanking panels

**19" Equipment Mounting Verticals;** verticals (posts) 1,5 mm thicknees and made by pregalvanized steel solid accor. TS 822 std. & also It contains on printed "U" marks both posts. (Verticals). Option: For optional also can produce 2mm thick TS822 type metal glv steel.

**Side Support;** Up to 32U sizes 2 right-hand 2 left hand there are 4 pieces, upper 32U cabinet 3 left,3 right there are 6 pieces used.

**Vertical Cable Organizers;** Vertical cable organizers according to the Project can assembly front or back side of the cabinets. There is also one bolt-locked apparatus. So easy for cabling data and power cable. It covers for cables pollution. Our 800\*800 mm and 800\*1000 mm cabinet can use.

**Body Color;** RAL 9005- RAL 7035 optional color. Painted (finishing) Electro Static powder coating.

**Ventilation;** Placedunder the top plate the fan thermostat modules makes high air circulation low level noise inside of the cabinet in good effective ventilation.

**Power Distribution Unit;** The PDU is on power sockets combination. There are two options.One is PVC the other Aluminium body. It contains Earth Socket, UPS socket, Fuses, or observable and manageable. It is also convenience 19" Rack Cabinet mounting on the rack.

**Delivering;** After the quality control is passed our all product wrapped and packed with strapor protection, cartoon pack it is strengthen to the impact resistance and after delivered with safety and secure as assembling packing.In our cabinets comply with to the structured cabling system and also comply with the Project, so putting inside equipments of network as switch, router modem, server, patch panel, telephone exchange&electronics equipment mounting and convenience cabling rigid, safe, secure functional and aesthetic production continuous.

**BASIC FEATURES**

- BESTRACK cabinets give to the clients best convenience solutions for server and stocking.
- Our Standing Cabinets comply with the TS EN 61587-1 Mechanical construction stds. (For Electronic Equipments cabinets) Also our main factory located in Ankara-TURKEY covered 13.000 m<sup>2</sup> areas andproduced according to the ISO 9001:2015 Quality Management Sytems Regulations.
- ALL cabinet's vertical hole spacing and horizontal hole spacing (sizes) comply with IEC 297-2, ANSI/EIARS-310-D, DIN 41494-1-7 standards.
- Also available EIA-310 19" Rack standards mounting equipments.
- For standing cabinets width 600 mm dimensions are Height from 12 U to 47 U different "U" height and width 800 mm dimensions are 26 U up to 47 U different "U" height service to the clients.
- Toughened tempered glass front door 4-6 mm thick. Optional and also rear door & side panels solid steel door, Lockable and removable side panels.
- 19" Equipment Rack Mounting verticals are punched square holes and also adjustable along the depth.
- "U" Marking along the vertical makes easy to install the rack mount equipments.
- Our standing type cabinets to with stand capacity min. 800-1000 kg static loading.
- Application areas are, big capacity scale network installing, DATA centers, F/O aplications, security, CCTV used properly.



## Tests & Certificates

- Our cabinets has been tested according to the TS EN 61587-1 standards and climatical tests part 4.2 cold, dry heat and wet heat tests accor. C1 class, Part 4.3 Industry Environment 41 class SL7, comply.
- Mechanical Load tests accor par. 5.21 and 5.2.2 and class SL7 comply
- Dynamic Load, vibration, mechanical impact (force) tests applies DL 4 class,
- External Mechanical Impacts K2 class.
- Earth (Grounding) connecting continuity tested TS EN 61587-2-1/6.2 comply
- Produced & tested accor to the IP 20 (Index of Protection)

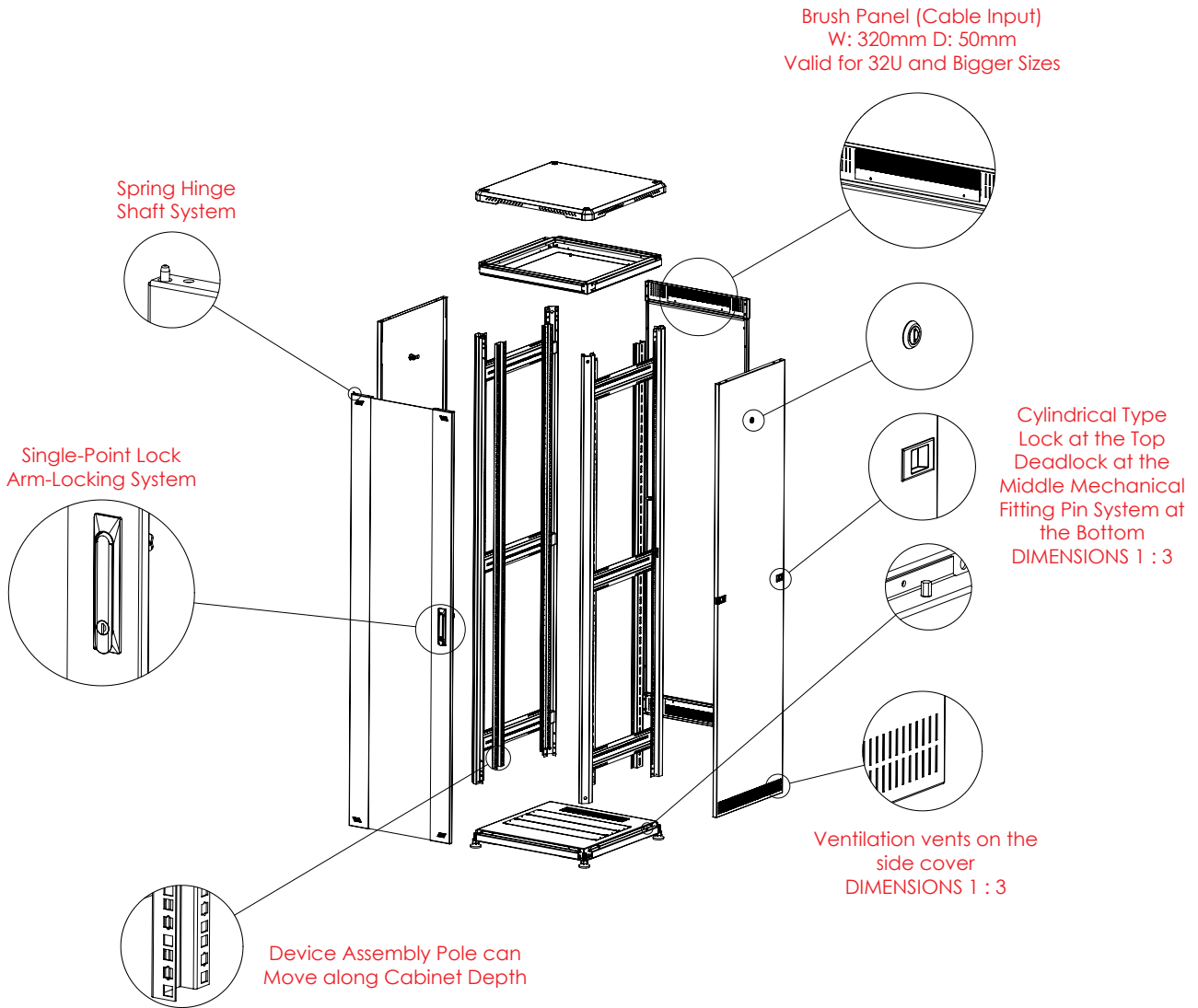


Mechanical Load Tests (SL7)

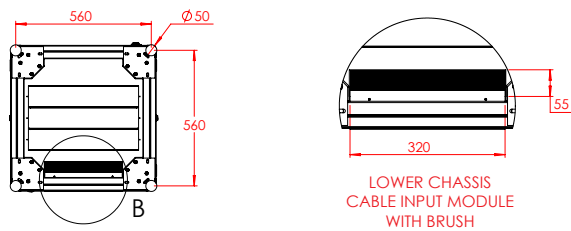
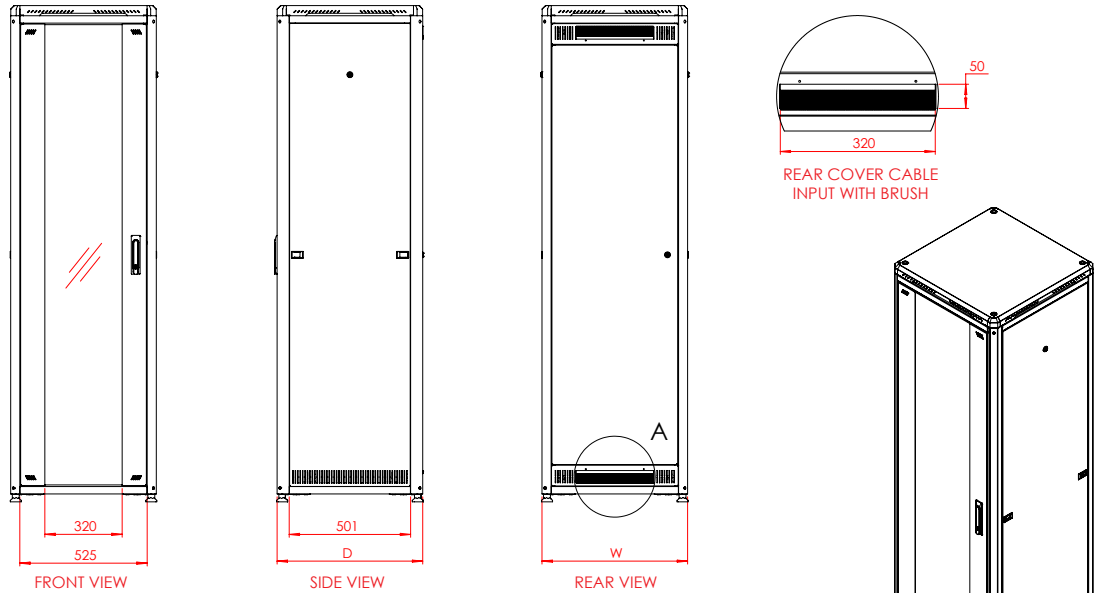


Dynamic load, vibration and mechanical impact tests (DL4)

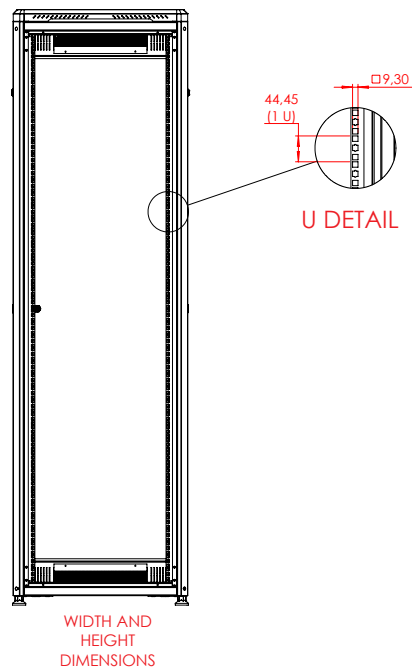
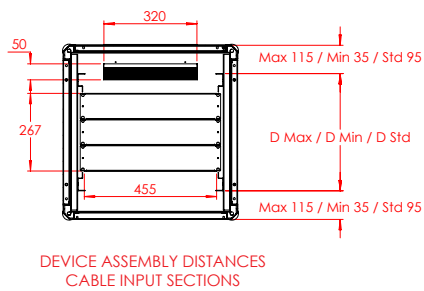
**EXPLODED ISOMETRIC VIEWS**



## CONSTRUCTION DRAWING



|                 |        |        |
|-----------------|--------|--------|
| 800X1000 SERIES | 800    | 1000   |
| 800X800 SERIES  | 800    | 800    |
| 600X1000 SERIES | 600    | 1000   |
| 600X800 SERIES  | 600    | 800    |
| 600X600 SERIES  | 600    | 600    |
| MODEL           | W (mm) | D (mm) |



|                   |          |          |          |
|-------------------|----------|----------|----------|
| FOR DEPTH OF 1000 | 920      | 760      | 720      |
| FOR DEPTH OF 800  | 720      | 570      | 530      |
| FOR DEPTH OF 600  | 520      | 360      | 400      |
| CABINET DEPTHS    | D Max mm | D Min mm | D Std mm |

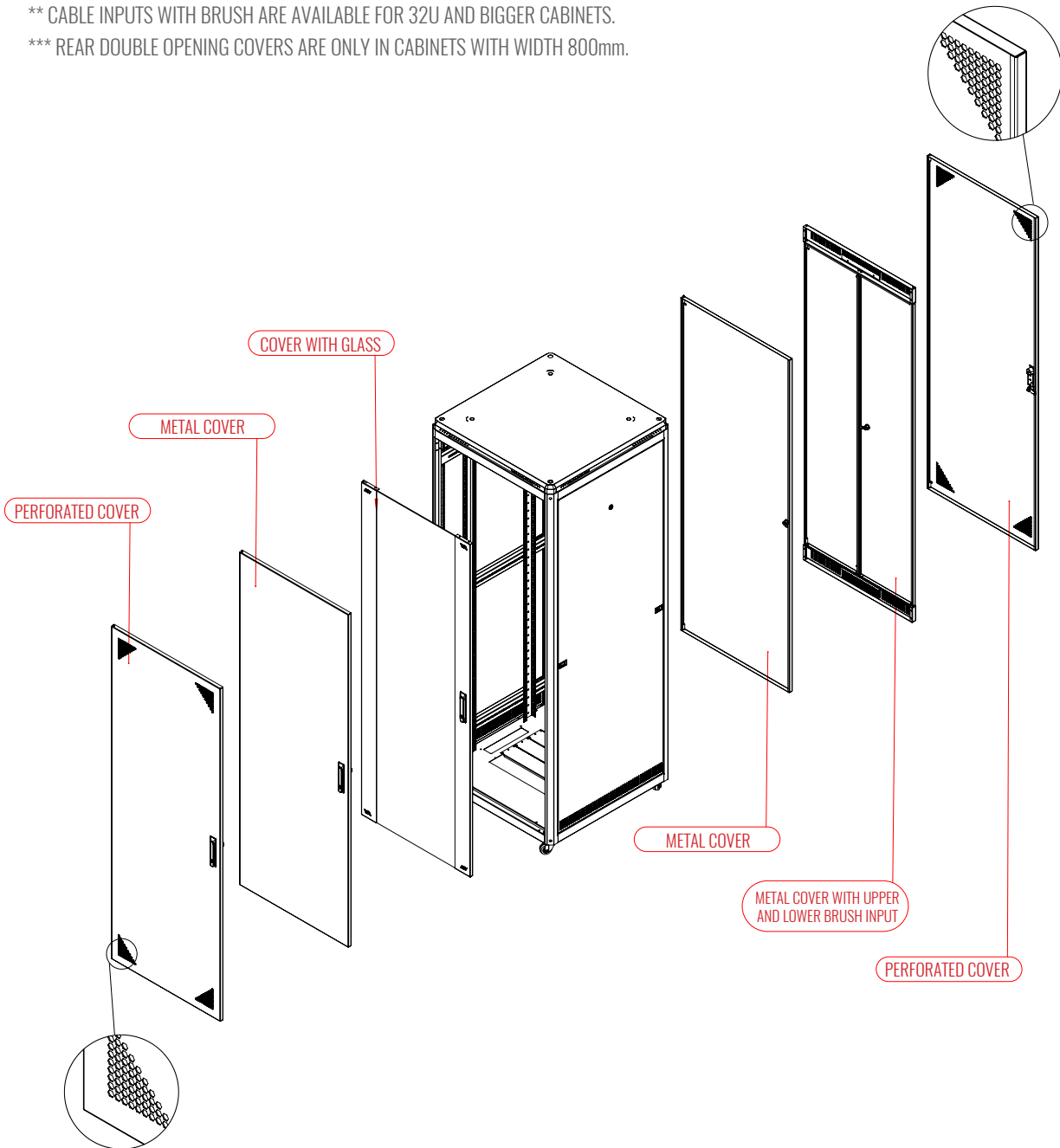


**COVER OPTIONS****NOTES:**

\* PERFORATED COVERS ARE 63% PERFORATED.

\*\* CABLE INPUTS WITH BRUSH ARE AVAILABLE FOR 32U AND BIGGER CABINETS.

\*\*\* REAR DOUBLE OPENING COVERS ARE ONLY IN CABINETS WITH WIDTH 800mm.



800\*1000 mm GOLD LINE SERVER TYPE RACK CABINETS



| Order Code             | Product Name                                  | Width (mm) | Depth (mm) | Height (mm) | With Castor Height (mm) | Weight (kg) |
|------------------------|---|------------|------------|-------------|-------------------------|-------------|
| <b>ZEY.GLD26U80100</b> | 26U 800x1000 mm Gold Line Server Type Cabinet | 800        | 1000       | 1306        | 1386                    | 100,00      |
| <b>ZEY.GLD32U80100</b> | 32U 800x1000 mm Gold Line Server Type Cabinet | 800        | 1000       | 1573        | 1653                    | 122,00      |
| <b>ZEY.GLD36U80100</b> | 36U 800x1000 mm Gold Line Server Type Cabinet | 800        | 1000       | 1751        | 1831                    | 129,00      |
| <b>ZEY.GLD42U80100</b> | 42U 800x1000 mm Gold Line Server Type Cabinet | 800        | 1000       | 2018        | 2098                    | 143,00      |
| <b>ZEY.GLD44U80100</b> | 44U 800x1000 mm Gold Line Server Type Cabinet | 800        | 1000       | 2107        | 2187                    | 150,00      |
| <b>ZEY.GLD47U80100</b> | 47U 800x1000 mm Gold Line Server Type Cabinet | 800        | 1000       | 2241        | 2321                    | 152,00      |

**600\*1000 mm GOLD LINE SERVER TYPE RACK CABINETS**


| Order Code             | Product Name                                  | Width (mm) | Depth (mm) | Height (mm) | With Castor Height (mm) | Weight (kg) |
|------------------------|---|------------|------------|-------------|-------------------------|-------------|
| <b>ZEY.GLD12U60100</b> | 12U 600x1000 mm Gold Line Server Type Cabinet | 600        | 1000       | 683         | 763                     | 57,00       |
| <b>ZEY.GLD16U60100</b> | 16U 600x1000 mm Gold Line Server Type Cabinet | 600        | 1000       | 861         | 941                     | 63,50       |
| <b>ZEY.GLD20U60100</b> | 20U 600x1000 mm Gold Line Server Type Cabinet | 600        | 1000       | 1039        | 1119                    | 70,00       |
| <b>ZEY.GLD22U60100</b> | 22U 600x1000 mm Gold Line Server Type Cabinet | 600        | 1000       | 1128        | 1208                    | 75,00       |
| <b>ZEY.GLD26U60100</b> | 26U 600x1000 mm Gold Line Server Type Cabinet | 600        | 1000       | 1306        | 1386                    | 86,00       |
| <b>ZEY.GLD32U60100</b> | 32U 600x1000 mm Gold Line Server Type Cabinet | 600        | 1000       | 1573        | 1653                    | 98,00       |
| <b>ZEY.GLD36U60100</b> | 36U 600x1000 mm Gold Line Server Type Cabinet | 600        | 1000       | 1751        | 1831                    | 103,00      |
| <b>ZEY.GLD42U60100</b> | 42U 600x1000 mm Gold Line Server Type Cabinet | 600        | 1000       | 2018        | 2098                    | 115,50      |
| <b>ZEY.GLD44U60100</b> | 44U 600x1000 mm Gold Line Server Type Cabinet | 600        | 1000       | 2107        | 2187                    | 118,00      |
| <b>ZEY.GLD47U60100</b> | 47U 600x1000 mm Gold Line Server Type Cabinet | 600        | 1000       | 2241        | 2321                    | 121,00      |

**600\*600 mm GOLD LINE STANDING TYPE RACK CABINETS**



| Order Code            | Product Name                                   | Width (mm) | Depth (mm) | Height (mm) | With Castor Height (mm) | Weight (kg) |
|-----------------------|--|------------|------------|-------------|-------------------------|-------------|
| <b>ZEY.GLD12U6060</b> | 12U 600x600 mm Gold Line Standing Type Cabinet | 600        | 600        | 683         | 763                     | 41,50       |
| <b>ZEY.GLD16U6060</b> | 16U 600x600 mm Gold Line Standing Type Cabinet | 600        | 600        | 861         | 941                     | 47,00       |
| <b>ZEY.GLD20U6060</b> | 20U 600x600 mm Gold Line Standing Type Cabinet | 600        | 600        | 1039        | 1119                    | 54,50       |
| <b>ZEY.GLD22U6060</b> | 22U 600x600 mm Gold Line Standing Type Cabinet | 600        | 600        | 1128        | 1208                    | 55,50       |
| <b>ZEY.GLD26U6060</b> | 26U 600x600 mm Gold Line Standing Type Cabinet | 600        | 600        | 1306        | 1386                    | 61,50       |
| <b>ZEY.GLD32U6060</b> | 32U 600x600 mm Gold Line Standing Type Cabinet | 600        | 600        | 1573        | 1653                    | 70,50       |
| <b>ZEY.GLD36U6060</b> | 36U 600x600 mm Gold Line Standing Type Cabinet | 600        | 600        | 1751        | 1831                    | 76,50       |
| <b>ZEY.GLD42U6060</b> | 42U 600x600 mm Gold Line Standing Type Cabinet | 600        | 600        | 2018        | 2098                    | 87,50       |
| <b>ZEY.GLD44U6060</b> | 44U 600x600 mm Gold Line Standing Type Cabinet | 600        | 600        | 2107        | 2187                    | 89,50       |
| <b>ZEY.GLD47U6060</b> | 47U 600x600 mm Gold Line Standing Type Cabinet | 600        | 600        | 2241        | 2321                    | 92,50       |

**600\*800 mm GOLD LINE STANDING TYPE RACK CABINETS**



| Order Code            | Product Name                                   | Width (mm) | Depth (mm) | Height (mm) | With Castor Height (mm) | Weight (kg) |
|-----------------------|--|------------|------------|-------------|-------------------------|-------------|
| <b>ZEY.GLD12U6080</b> | 12U 600x800 mm Gold Line Standing Type Cabinet | 600        | 800        | 683         | 763                     | 49,00       |
| <b>ZEY.GLD16U6080</b> | 16U 600x800 mm Gold Line Standing Type Cabinet | 600        | 800        | 861         | 941                     | 56,00       |
| <b>ZEY.GLD20U6080</b> | 20U 600x800 mm Gold Line Standing Type Cabinet | 600        | 800        | 1039        | 1119                    | 63,00       |
| <b>ZEY.GLD22U6080</b> | 22U 600x800 mm Gold Line Standing Type Cabinet | 600        | 800        | 1128        | 1208                    | 65,00       |
| <b>ZEY.GLD26U6080</b> | 26U 600x800 mm Gold Line Standing Type Cabinet | 600        | 800        | 1306        | 1386                    | 72,00       |
| <b>ZEY.GLD32U6080</b> | 32U 600x800 mm Gold Line Standing Type Cabinet | 600        | 800        | 1573        | 1653                    | 84,00       |
| <b>ZEY.GLD36U6080</b> | 36U 600x800 mm Gold Line Standing Type Cabinet | 600        | 800        | 1751        | 1831                    | 94,00       |
| <b>ZEY.GLD42U6080</b> | 42U 600x800 mm Gold Line Standing Type Cabinet | 600        | 800        | 2018        | 2098                    | 201,00      |
| <b>ZEY.GLD44U6080</b> | 44U 600x800 mm Gold Line Standing Type Cabinet | 600        | 800        | 2107        | 2187                    | 103,50      |
| <b>ZEY.GLD47U6080</b> | 47U 600x800 mm Gold Line Standing Type Cabinet | 600        | 800        | 2241        | 2321                    | 107,00      |

## 19" GOLD LINE STANDING TYPE RACK CABINETS

**BESTRACK**

### 800\*800 mm GOLD LINE STANDING TYPE RACK CABINETS



| Order Code            | Product Name                                   | Width (mm) | Depth (mm) | Height (mm) | With Castor Height (mm) | Weight (kg) |
|-----------------------|--|------------|------------|-------------|-------------------------|-------------|
| <b>ZEY.GLD26U8080</b> | 26U 800x800 mm Gold Line Standing Type Cabinet | 800        | 800        | 1306        | 1386                    | 88,00       |
| <b>ZEY.GLD32U8080</b> | 32U 800x800 mm Gold Line Standing Type Cabinet | 800        | 800        | 1573        | 1653                    | 106,00      |
| <b>ZEY.GLD36U8080</b> | 36U 800x800 mm Gold Line Standing Type Cabinet | 800        | 800        | 1751        | 1831                    | 112,00      |
| <b>ZEY.GLD42U8080</b> | 42U 800x800 mm Gold Line Standing Type Cabinet | 800        | 800        | 2018        | 2098                    | 124,50      |
| <b>ZEY.GLD44U8080</b> | 44U 800x800 mm Gold Line Standing Type Cabinet | 800        | 800        | 2107        | 2187                    | 130,00      |
| <b>ZEY.GLD47U8080</b> | 47U 800x800 mm Gold Line Standing Type Cabinet | 800        | 800        | 2241        | 2321                    | 133,00      |

**19" SILVER LINE STANDING TYPE RACK CABINETS**

- Our Bestrack Standing Type Cabinets different depth size and heights give to clients large selection.
- Multi-bending body frames, bottom and top base strengthen reinforce construction.

## STRUCTURED DETAILED

### Main Body Profile Construction;

**Top&Bottom plates&Mainframe verticals;** In a single piece top &bottom base (chassis) thickness 1,5 mm, main frame profiles connected 32 points also modular structured.

**Front Door;** 4 mm – 6 mm tempered glass door strengthen both side steel.

**Side Panels;** Thickness 1,5 mm steel rigid Lockable top & bottom so gives easy repair & maintenance facility.

**Cable Inlet;** From bottom plate, back door top & bottom section cable inlet is available.

**19" Equipment Mounting Verticals;** verticals (posts) 1,5 mm thickness and made by pregalvanized steel solid accor. TS 822 std. & also It contains on printed "U" marks both posts. (Verticals)

**Side Support;** 2 mm thickness 3 left-3 right side total 6 side support used so they are punched & available to adjust to the depth.

**Body Color;** RAL 9005- RAL 7035 optional color. Painted (finishing) Electro Static powder coating.

**Ventilation;** Placed under the top plate the fan thermostat modules makes high air circulation low level noise inside of the cabinet in good effective ventilation.

**Power Distribution Unit;** The PDU is on power sockets combination. There are two options. One is PVC the other Aluminium body. It contains Earth Socket, UPS socket, Fuses, or observable and manageable. It is also convenience 19" Rack Cabinet mounting on the rack.

**Delivering;** After the quality control is passed our all product wrapped and packed with strap or protection, cartoon pack it is strengthen to the impact resistance and after delivered with safety and secure as assembling packing.

In our cabinets comply with the structured cabling system and also comply with the Project, so putting inside equipments of network as switch, router modem, server, patch panel, telephone exchange & electronics equipment mounting and convenience cabling rigid, safe, secure functional and aesthetic production continuous.

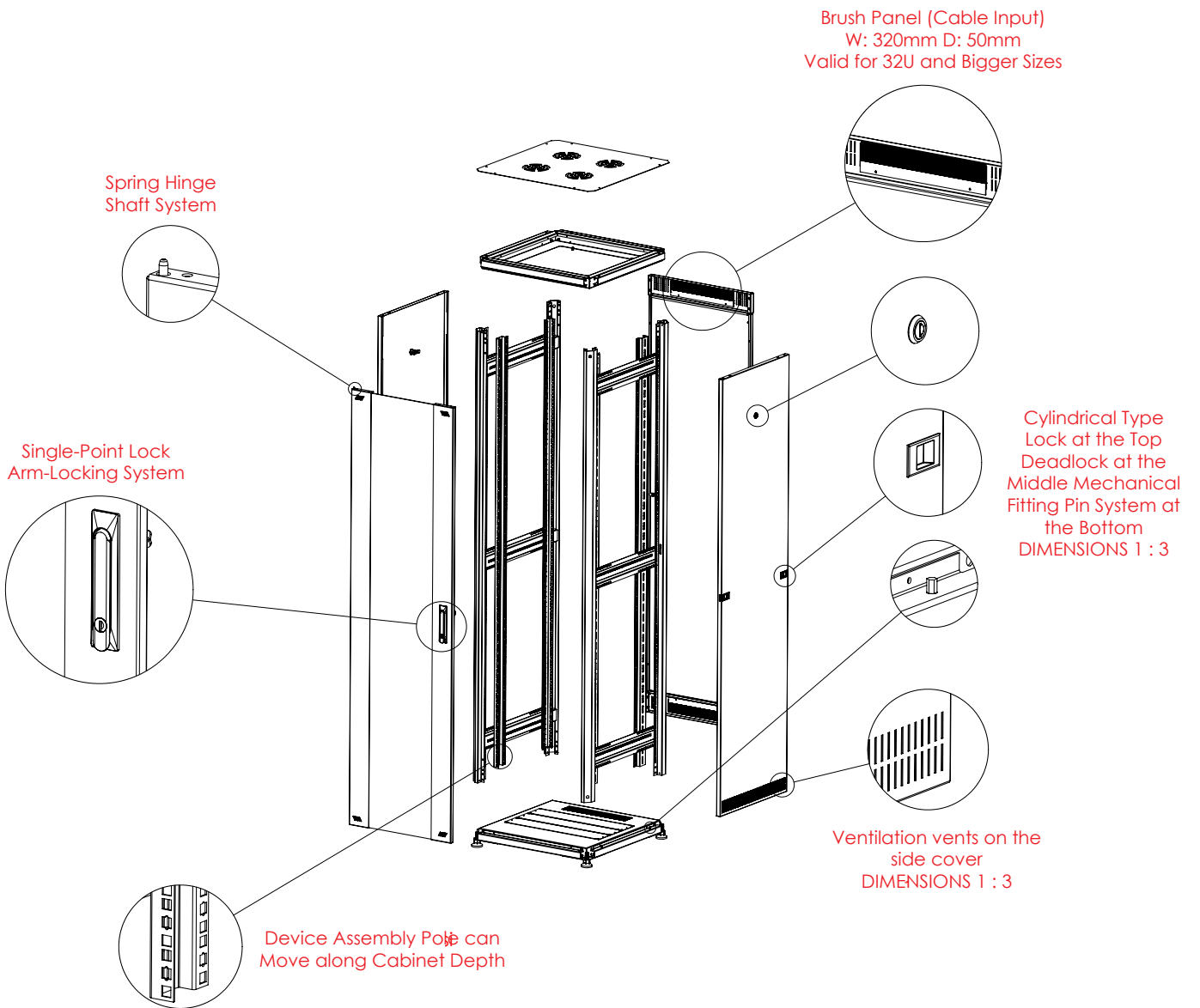


## BASIC FEATURES

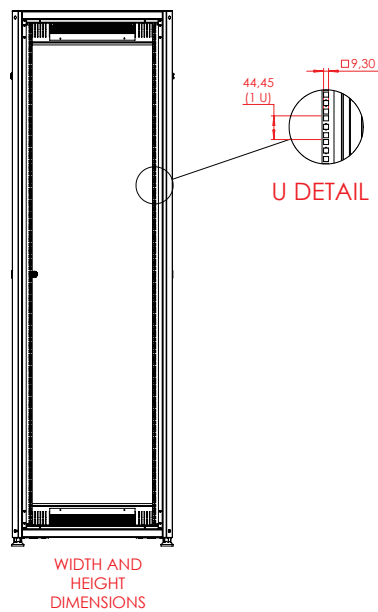
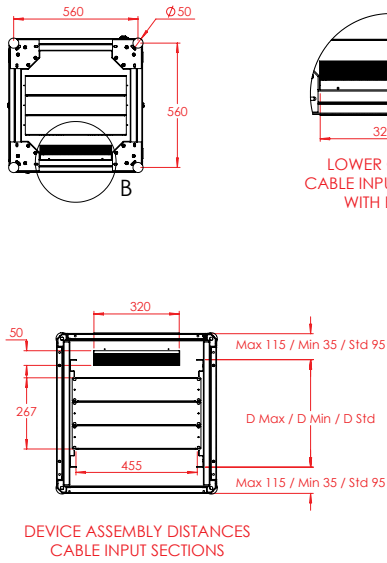
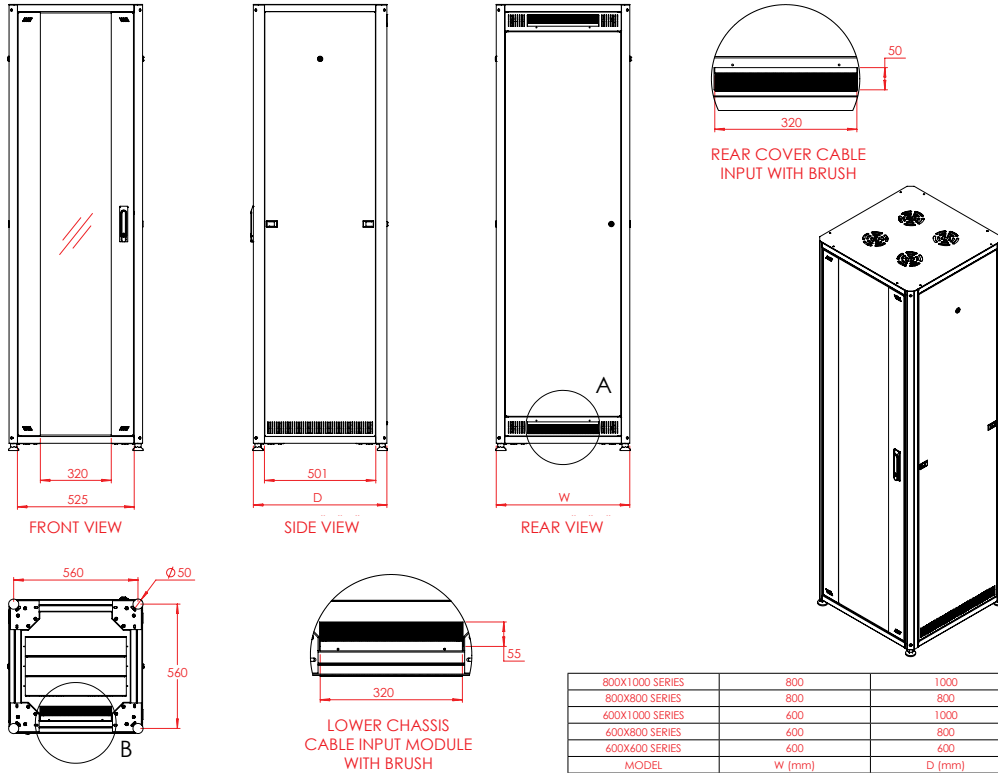
- Our Best Rack Server Cabinets for server & stocking application they give to the client's best convenience solutions.
- Our Server Cabinets comply with **TS EN 61857-1** Standards Mechanical Construction (For Electronic Equipments Cabinets) Also our main factory Located in ANKARA-TURKEY covered 13000 m<sup>2</sup> areas and Produced according to the **ISO 9001:2015** Quality Management System Regulations.
- All Cabinet's vertical hole spacing and horizontal hole spacing (sizes) comply with **IEC-297-2 ANS1/EIA RS-310-D DIN41494-1-7** Standards  
Our Server Cabinets **width are 600mm** products heights from 12U up to 47U different "U" heights and **width 800mm** products are from 26U up to 47U heights serving to the clients.
- **Front Door's** of server Cabinets perforated or tempered door option, **back door and side panels** all of them lockable removable construction. Side panel's top section is lockable both left & right side slide-lock also makes easy for repair & maintenance operation user.
- **Perforated (punched) front & back door** helps to ventilate makes also easy to come in fresh air from the out side effectively. The ratio of perforation is about %63-75 for these doors.  
19" Equipment Mounting Verticals (posts) are square holes punched (9,5\*9,5 mm-3/8" \* 3/8" measures) also adjustable along the depth construction.
- **"U" Marking** on the verticals makes easy to install the rack-mount equipments placement.  
Our Server cabinets can carry min. **800-1000 kg static load capacity** also.
- **Using Areas;** Big scale network install, data center, Airports Telecom, Network, Call centers F/O application used generally.



**EXPLODED ISOMETRIC VIEWS**



## CONSTRUCTION DRAWING



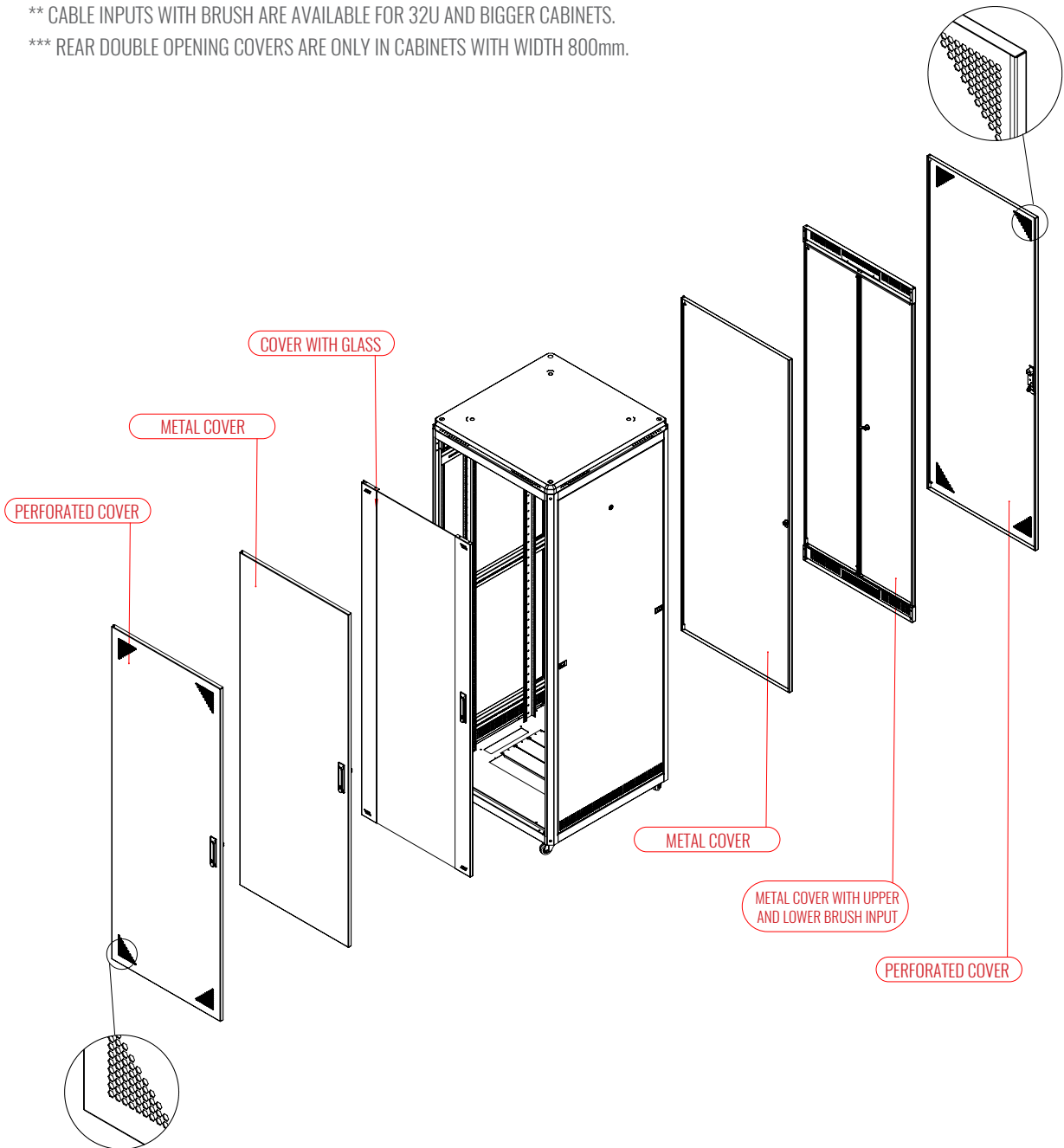
|                   |          |          |          |
|-------------------|----------|----------|----------|
| FOR DEPTH OF 1000 | 920      | 760      | 720      |
| FOR DEPTH OF 800  | 720      | 570      | 530      |
| FOR DEPTH OF 600  | 520      | 360      | 400      |
| CABINET DEPTHS    | D Max mm | D Min mm | D Std mm |

**COVER OPTIONS****NOTES:**

\* PERFORATED COVERS ARE 63% PERFORATED.

\*\* CABLE INPUTS WITH BRUSH ARE AVAILABLE FOR 32U AND BIGGER CABINETS.

\*\*\* REAR DOUBLE OPENING COVERS ARE ONLY IN CABINETS WITH WIDTH 800mm.



**800\*1000 mm SILVER LINE SERVER TYPE RACK CABINETS**



| Order Code         | Product Name                                    | Width (mm) | Depth (mm) | Height (mm) | With Castor Height (mm) | Weight (kg) |
|--------------------|---|------------|------------|-------------|-------------------------|-------------|
| <b>ZEY.D26U810</b> | 26U 800x1000 mm Silver Line Server Type Cabinet | 800        | 1000       | 1306        | 1386                    | 100,00      |
| <b>ZEY.D32U810</b> | 32U 800x1000 mm Silver Line Server Type Cabinet | 800        | 1000       | 1533        | 1613                    | 122,00      |
| <b>ZEY.D36U810</b> | 36U 800x1000 mm Silver Line Server Type Cabinet | 800        | 1000       | 1711        | 1791                    | 129,00      |
| <b>ZEY.D42U810</b> | 42U 800x1000 mm Silver Line Server Type Cabinet | 800        | 1000       | 1978        | 2058                    | 143,00      |
| <b>ZEY.D44U810</b> | 44U 800x1000 mm Silver Line Server Type Cabinet | 800        | 1000       | 2067        | 2147                    | 150,00      |
| <b>ZEY.D47U810</b> | 47U 800x1000 mm Silver Line Server Type Cabinet | 800        | 1000       | 2201        | 2281                    | 152,00      |

**600\*1000 mm SILVER LINE SERVER TYPE RACK CABINETS**


| Order Code         | Product Name                                    | Width (mm) | Depth (mm) | Height (mm) | With Castor Height (mm) | Weight (kg) |
|--------------------|---|------------|------------|-------------|-------------------------|-------------|
| <b>ZEY.D12U610</b> | 12U 600x1000 mm Silver Line Server Type Cabinet | 600        | 1000       | 643         | 723                     | 58,00       |
| <b>ZEY.D16U610</b> | 16U 600x1000 mm Silver Line Server Type Cabinet | 600        | 1000       | 821         | 901                     | 64,50       |
| <b>ZEY.D20U610</b> | 20U 600x1000 mm Silver Line Server Type Cabinet | 600        | 1000       | 999         | 1079                    | 71,00       |
| <b>ZEY.D22U610</b> | 22U 600x1000 mm Silver Line Server Type Cabinet | 600        | 1000       | 1088        | 1168                    | 76,00       |
| <b>ZEY.D26U610</b> | 26U 600x1000 mm Silver Line Server Type Cabinet | 600        | 1000       | 1266        | 1346                    | 87,00       |
| <b>ZEY.D32U610</b> | 32U 600x1000 mm Silver Line Server Type Cabinet | 600        | 1000       | 1533        | 1613                    | 99,00       |
| <b>ZEY.D36U610</b> | 36U 600x1000 mm Silver Line Server Type Cabinet | 600        | 1000       | 1711        | 1791                    | 104,00      |
| <b>ZEY.D42U610</b> | 42U 600x1000 mm Silver Line Server Type Cabinet | 600        | 1000       | 1978        | 2058                    | 116,50      |
| <b>ZEY.D44U610</b> | 44U 600x1000 mm Silver Line Server Type Cabinet | 600        | 1000       | 2067        | 2147                    | 119,00      |
| <b>ZEY.D47U610</b> | 47U 600x1000 mm Silver Line Server Type Cabinet | 600        | 1000       | 2201        | 2281                    | 122,00      |

**600\*600 mm SILVER LINE STANDING TYPE RACK CABINETS**



| Order Code        | Product Name                                     | Width (mm) | Depth (mm) | Height (mm) | With Castor Height (mm) | Weight (kg) |
|-------------------|--|------------|------------|-------------|-------------------------|-------------|
| <b>ZEY.D12U66</b> | 12U 600x600 mm Silver Line Standing Type Cabinet | 600        | 600        | 643         | 723                     | 42,00       |
| <b>ZEY.D16U66</b> | 16U 600x600 mm Silver Line Standing Type Cabinet | 600        | 600        | 821         | 901                     | 47,50       |
| <b>ZEY.D20U66</b> | 20U 600x600 mm Silver Line Standing Type Cabinet | 600        | 600        | 999         | 1079                    | 55,00       |
| <b>ZEY.D22U66</b> | 22U 600x600 mm Silver Line Standing Type Cabinet | 600        | 600        | 1088        | 1168                    | 56,00       |
| <b>ZEY.D26U66</b> | 26U 600x600 mm Silver Line Standing Type Cabinet | 600        | 600        | 1266        | 1346                    | 62,00       |
| <b>ZEY.D32U66</b> | 32U 600x600 mm Silver Line Standing Type Cabinet | 600        | 600        | 1533        | 1613                    | 71,00       |
| <b>ZEY.D36U66</b> | 36U 600x600 mm Silver Line Standing Type Cabinet | 600        | 600        | 1711        | 1791                    | 77,00       |
| <b>ZEY.D42U66</b> | 42U 600x600 mm Silver Line Standing Type Cabinet | 600        | 600        | 1978        | 2058                    | 88,00       |
| <b>ZEY.D44U66</b> | 44U 600x600 mm Silver Line Standing Type Cabinet | 600        | 600        | 2067        | 2147                    | 90,00       |
| <b>ZEY.D47U66</b> | 47U 600x600 mm Silver Line Standing Type Cabinet | 600        | 600        | 2201        | 2281                    | 93,00       |

**600\*800 mm SILVER LINE STANDING TYPE RACK CABINETS**



| Order Code        | Product Name                                     | Width (mm) | Depth (mm) | Height (mm) | With Castor Height (mm) | Weight (kg) |
|-------------------|--|------------|------------|-------------|-------------------------|-------------|
| <b>ZEY.D12U68</b> | 12U 600x800 mm Silver Line Standing Type Cabinet | 600        | 800        | 643         | 723                     | 50,00       |
| <b>ZEY.D16U68</b> | 16U 600x800 mm Silver Line Standing Type Cabinet | 600        | 800        | 821         | 901                     | 57,00       |
| <b>ZEY.D20U68</b> | 20U 600x800 mm Silver Line Standing Type Cabinet | 600        | 800        | 999         | 1079                    | 64,00       |
| <b>ZEY.D22U68</b> | 22U 600x800 mm Silver Line Standing Type Cabinet | 600        | 800        | 1088        | 1168                    | 66,00       |
| <b>ZEY.D26U68</b> | 26U 600x800 mm Silver Line Standing Type Cabinet | 600        | 800        | 1266        | 1346                    | 73,00       |
| <b>ZEY.D32U68</b> | 32U 600x800 mm Silver Line Standing Type Cabinet | 600        | 800        | 1533        | 1613                    | 85,00       |
| <b>ZEY.D36U68</b> | 36U 600x800 mm Silver Line Standing Type Cabinet | 600        | 800        | 1711        | 1791                    | 95,00       |
| <b>ZEY.D42U68</b> | 42U 600x800 mm Silver Line Standing Type Cabinet | 600        | 800        | 1978        | 2058                    | 102,00      |
| <b>ZEY.D44U68</b> | 44U 600x800 mm Silver Line Standing Type Cabinet | 600        | 800        | 2067        | 2147                    | 104,50      |
| <b>ZEY.D47U68</b> | 47U 600x800 mm Silver Line Standing Type Cabinet | 600        | 800        | 2201        | 2281                    | 108,00      |

**800\*800 mm SILVER LINE STANDING TYPE RACK CABINETS**



| Order Code        | Product Name                                     | Width (mm) | Depth (mm) | Height (mm) | With Castor Height (mm) | Weight (kg) |
|-------------------|--|------------|------------|-------------|-------------------------|-------------|
| <b>ZEY.D26U88</b> | 26U 800x800 mm Silver Line Standing Type Cabinet | 800        | 800        | 1266        | 1346                    | 80,00       |
| <b>ZEY.D32U88</b> | 32U 800x800 mm Silver Line Standing Type Cabinet | 800        | 800        | 1533        | 1613                    | 91,00       |
| <b>ZEY.D36U88</b> | 36U 800x800 mm Silver Line Standing Type Cabinet | 800        | 800        | 1711        | 1791                    | 102,00      |
| <b>ZEY.D42U88</b> | 42U 800x800 mm Silver Line Standing Type Cabinet | 800        | 800        | 1978        | 2058                    | 125,00      |
| <b>ZEY.D44U88</b> | 44U 800x800 mm Silver Line Standing Type Cabinet | 800        | 800        | 2067        | 2147                    | 130,00      |
| <b>ZEY.D47U88</b> | 47U 800x800 mm Silver Line Standing Type Cabinet | 800        | 800        | 2201        | 2281                    | 141,00      |



**800\*600 mm SILVER LINE STANDING TYPE RACK CABINETS**



| Order Code        | Product Name                                     | Width (mm) | Depth (mm) | Height (mm) | With Castor Height (mm) | Weight (kg) |
|-------------------|--|------------|------------|-------------|-------------------------|-------------|
| <b>ZEY.D26U86</b> | 26U 800x600 mm Silver Line Standing Type Cabinet | 800        | 600        | 1266        | 1346                    | 79,00       |
| <b>ZEY.D32U86</b> | 32U 800x600 mm Silver Line Standing Type Cabinet | 800        | 600        | 1533        | 1613                    | 91,00       |
| <b>ZEY.D36U86</b> | 36U 800x600 mm Silver Line Standing Type Cabinet | 800        | 600        | 1711        | 1791                    | 101,00      |
| <b>ZEY.D42U86</b> | 42U 800x600 mm Silver Line Standing Type Cabinet | 800        | 600        | 1978        | 2058                    | 108,00      |
| <b>ZEY.D44U86</b> | 44U 800x600 mm Silver Line Standing Type Cabinet | 800        | 600        | 2067        | 2147                    | 110,00      |
| <b>ZEY.D47U86</b> | 47U 800x600 mm Silver Line Standing Type Cabinet | 800        | 600        | 2201        | 2281                    | 114,00      |

## SHELVES

### FIXED SHELVES

| Order Code        | Product Name   | Width (mm) | Depth (mm) | Height (mm) | Weight (kg) |
|-------------------|--|------------|------------|-------------|-------------|
| <b>ZEY.SR0636</b> | 19" Fixed Shelf for d=600 mm   | 465        | 400        | 30          | 1,85        |
| <b>ZEY.SR0848</b> | 19" Fixed Shelf for d=800 mm   | 465        | 520        | 30          | 3,50        |
| <b>ZEY.SR1064</b> | 19" Fixed Shelf for d=1000 mm  | 465        | 720        | 30          | 4,50        |
| <b>ZEY.SR1072</b> | 19" 1U Fixed Shelf for D=720mm <small>(Server heavy duty type)</small> | 483        | 720        | 44,5        | 5,00        |



### SLIDING SHELVES

| Order Code       | Product Name                     | Width (mm) | Depth (mm) | Height (mm) | Weight (kg) |
|------------------|----------------------------------|------------|------------|-------------|-------------|
| <b>ZEY.HR060</b> | 19" Sliding Shelf for d= 600 mm  | 483        | 400        | 44,5        | 3           |
| <b>ZEY.HR080</b> | 19" Sliding Shelf for d= 800 mm  | 483        | 520        | 44,5        | 4,5         |
| <b>ZEY.HR100</b> | 19" Sliding Shelf for d= 1000 mm | 483        | 720        | 44,5        | 5,5         |



### EQUIPMENT SHELVES

| Order Code         | Product Name  | Width (mm) | Depth (mm) | Height (mm) | Weight (kg) |
|--------------------|---|------------|------------|-------------|-------------|
| <b>ZEY.MR1U25B</b> | 19" 1U Rack Mount Shelf for d=250mm <small>(for Mount Type Cabinet)</small> | 483        | 250        | 44,5        | 1,10        |
| <b>ZEY.MR1U35B</b> | 19" 1U Rack Mount Shelf for d=350mm <small>(for Mount Type Cabinet)</small> | 483        | 350        | 44,5        | 2,20        |
| <b>ZEY.MR1U40B</b> | 19" 1U Rack Mount Shelf for d=400mm <small>(for Mount Type Cabinet)</small> | 483        | 400        | 44,5        | 2,40        |
| <b>ZEY.MR1U25</b>  | 19" 1U Rack Mount Shelf for d=250mm   | 483        | 250        | 44,5        | 1,10        |
| <b>ZEY.MR1U35</b>  | 19" 1U Rack Mount Shelf for d=350mm   | 483        | 350        | 44,5        | 2,20        |
| <b>ZEY.MR1U40</b>  | 19" 1U Rack Mount Shelf for d=400mm   | 483        | 400        | 44,5        | 2,40        |
| <b>ZEY.MR2U35</b>  | 19" 2U Rack Mount Shelf for d=350mm   | 483        | 350        | 89          | 2,50        |
| <b>ZEY.MR2U40</b>  | 19" 2U Rack Mount Shelf for d=400mm   | 483        | 400        | 89          | 2,70        |
| <b>ZEY.MR3U35</b>  | 19" 3U Rack Mount Shelf for d=350mm   | 483        | 350        | 133,5       | 2,60        |



### KEYBOARD DRAWER

| Order Code       | Product Name                  | Width (mm) | Depth (mm) | Height (mm) | Weight (kg) |
|------------------|-------------------------------|------------|------------|-------------|-------------|
| <b>ZEY.KR060</b> | Keyboard drawer for d=600 mm  | 483        | 400        | 44,5        | 3,20        |
| <b>ZEY.KR080</b> | Keyboard drawer for d=800 mm  | 483        | 520        | 44,5        | 3,60        |
| <b>ZEY.KR100</b> | Keyboard drawer for d=1000 mm | 483        | 720        | 44,5        | 4,00        |



**COOLING FAN UNITS**

**COOLING FAN UNITS INCLUDED THERMOSTAT**

| Order Code | Product Name   | Width (mm) | Depth (mm) | Height (mm) | Weight (kg) |
|------------|--|------------|------------|-------------|-------------|
| ZEY.FN01   | Cooling unit with 1 fan + Thermostat Controlled ( for mount type cabinet)        | 470        | 200        | 45          | 1,60        |
| ZEY.FN02   | Cooling unit with 2 fan + Thermostat Controlled ( for mount type cabinet)        | 470        | 200        | 45          | 2,60        |
| ZEY.FN12   | Cooling unit with 2 fan + Thermostat Controlled ( for d=600/800 mm type cabinet) | 430        | 460        | 45          | 3,40        |
| ZEY.FN04   | Cooling unit with 4 fan + Thermostat Controlled ( for d=600/800 mm type cabinet) | 430        | 460        | 45          | 4,30        |
| ZEY.FN22   | Cooling unit with 2 fan + Thermostat Controlled ( for d=1000 mm type cabinet)    | 430        | 660        | 45          | 4,30        |
| ZEY.FN14   | Cooling unit with 4 fan + Thermostat Controlled ( for d=1000 mm type cabinet)    | 430        | 660        | 45          | 4,90        |
| ZEY.FN06   | Cooling unit with 6 fan + Thermostat Controlled ( for d=1000 mm type cabinet)    | 430        | 660        | 45          | 5,80        |



**COOLING FAN UNITS INCLUDED DIGITAL THERMOSTAT**

| Order Code | Product Name  | Width (mm) | Depth (mm) | Height (mm) | Weight (kg) |
|------------|---|------------|------------|-------------|-------------|
| ZEY.DFN01  | Cooling unit with 1 fan + Dig. Thermostat Controlled ( for mount type cabinet)        | 470        | 200        | 45          | 1,60        |
| ZEY.DFN02  | Cooling unit with 2 fan + Dig. Thermostat Controlled ( for mount type cabinet)        | 470        | 200        | 45          | 2,60        |
| ZEY.DFN12  | Cooling unit with 2 fan + Dig. Thermostat Controlled ( for d=600/800 mm type cabinet) | 430        | 460        | 45          | 3,40        |
| ZEY.DFN04  | Cooling unit with 4 fan + Dig. Thermostat Controlled ( for d=600/800 mm type cabinet) | 430        | 460        | 45          | 4,30        |
| ZEY.DFN22  | Cooling unit with 2 fan + Dig. Thermostat Controlled ( for d=1000 mm type cabinet)    | 430        | 660        | 45          | 4,30        |
| ZEY.DFN14  | Cooling unit with 4 fan + Dig. Thermostat Controlled ( for d=1000 mm type cabinet)    | 430        | 660        | 45          | 4,90        |
| ZEY.DFN06  | Cooling unit with 6 fan + Dig. Thermostat Controlled ( for d=1000 mm type cabinet)    | 430        | 660        | 45          | 5,80        |

The Fan Sizes: 120\*120\*38 mm

\* Voice Level (**Noise dBA**): 43/48

\*\* (Air Flow): m3/ hr ---->138/162

CFM---->82/95

## POWER DISTRIBUTION UNITS

| Order Code      | Product Name   | Weight (kg) |
|-----------------|--|-------------|
| <b>ZEY.PG03</b> | 19" 1U Aliminium Profile frame, 3xDIN49440 Socket Schuke PDU, 3*1,5mm 2m cord  | 0,65        |
| <b>ZEY.PG06</b> | 19" 1U Aliminium Profile frame, 6xDIN49440 Socket Schuke PDU, 3*1,5mm 2m cord  | 0,75        |
| <b>ZEY.PG08</b> | 19" 1U Aliminium Profile frame, 8xDIN49440 Socket Schuke PDU, 3*1,5mm 2m cord  | 0,90        |
| <b>ZEY.PG12</b> | 19" 2U Aliminium Profile frame, 12xDIN49440 Socket Schuke PDU, 3*1,5mm 2m cord | 1,30        |



| Order Code       | Product Name  | Weight (kg) |
|------------------|---|-------------|
| <b>ZEY.SPG03</b> | 19" 1U Aliminium Profile frame, 3xDIN49440 Socket Schuke PDU, 1X16A MCB, 3*1,5mm 2m cord  | 0,90        |
| <b>ZEY.SPG06</b> | 19" 1U Aliminium Profile frame, 6xDIN49440 Socket Schuke PDU, 1X16A MCB, 3*1,5mm 2m cord  | 0,95        |
| <b>ZEY.SPG09</b> | 19" 2U Aliminium Profile frame, 9xDIN49440 Socket Schuke PDU, 1X16A MCB, 3*1,5mm 2m cord  | 1,40        |
| <b>ZEY.SPG12</b> | 19" 2U Aliminium Profile frame, 12xDIN49440 Socket Schuke PDU, 1X16A MCB, 3*1,5mm 2m cord | 1,55        |



| Order Code           | Product Name  | Weight (kg) |
|----------------------|---|-------------|
| <b>ZEY.SPG03-IEC</b> | 19" 1U Aliminium Profile frame, 3xIEC 320 C13 Socket PDU, 1X16A MCB, 3*1,5mm 2m cord  | 0,90        |
| <b>ZEY.SPG06-IEC</b> | 19" 1U Aliminium Profile frame, 6xIEC 320 C13 Socket PDU, 1X16A MCB, 3*1,5mm 2m cord  | 0,95        |
| <b>ZEY.SPG09-IEC</b> | 19" 2U Aliminium Profile frame, 9xIEC 320 C13 Socket PDU, 1X16A MCB, 3*1,5mm 2m cord  | 1,40        |
| <b>ZEY.SPG12-IEC</b> | 19" 2U Aliminium Profile frame, 12xIEC 320 C13 Socket PDU, 1X16A MCB, 3*1,5mm 2m cord | 1,55        |



| Order Code        | Product Name   | Weight (kg) |
|-------------------|--|-------------|
| <b>ZEY.SUPG03</b> | 19" 1U Aliminium Profile frame, 3xUPS Socket Schuke PDU, 1X16A MCB, 3*1,5mm 2m cord  | 0,95        |
| <b>ZEY.SUPG06</b> | 19" 1U Aliminium Profile frame, 6xUPS Socket Schuke PDU, 1X16A MCB, 3*1,5mm 2m cord  | 1,00        |
| <b>ZEY.SUPG09</b> | 19" 2U Aliminium Profile frame, 9xUPS Socket Schuke PDU, 1X16A MCB, 3*1,5mm 2m cord  | 1,45        |
| <b>ZEY.SUPG12</b> | 19" 2U Aliminium Profile frame, 12xUPS Socket Schuke PDU, 1X16A MCB, 3*1,5mm 2m cord | 1,60        |



**POWER DISTRIBUTION UNITS**

| Order Code        | Product Name  | Weight (kg) |
|-------------------|---|-------------|
| <b>ZEY.SAKP03</b> | 19" 1U Aliminium Profile frame, 3xDIN49440 Socket Schuke current protected PDU, 1X16A MCB, 3*1,5mm 2m cord  | 0,95        |
| <b>ZEY.SAKP06</b> | 19" 1U Aliminium Profile frame, 6xDIN49440 Socket Schuke current protected PDU, 1X16A MCB, 3*1,5mm 2m cord  | 1,00        |
| <b>ZEY.SAKP09</b> | 19" 2U Aliminium Profile frame, 9xDIN49440 Socket Schuke current protected PDU, 1X16A MCB, 3*1,5mm 2m cord  | 1,45        |
| <b>ZEY.SAKP12</b> | 19" 2U Aliminium Profile frame, 12xDIN49440 Socket Schuke current protected PDU, 1X16A MCB, 3*1,5mm 2m cord | 1,60        |



| Order Code       | Product Name  | Weight (kg) |
|------------------|---|-------------|
| <b>ZEY.PPGA3</b> | 119" 1U Mounting plate, 3xDIN49440 Socket Schuke PDU, 3*1,5mm 2m cord | 0,80        |
| <b>ZEY.PPGA6</b> | 19" 1U Mounting plate, 6xDIN49440 Socket Schuke PDU, 3*1,5mm 2m cord  | 1,00        |



**Vertical Power Distribution Unit**

| Order Code               | Product Name  |
|--------------------------|---|
| <b>ZEY.SPG12-26U</b>     | 26U Aliminium Profile frame, 12xDIN49440 Socket Schuke PDU, 1X16A MCB, 3*1,5mm 2m cord    |
| <b>ZEY.SPG18-32U</b>     | 32U Aliminium Profile frame, 18xDIN49440 Socket Schuke PDU, 2X16A MCB, 3*1,5mm 2m cord    |
| <b>ZEY.SPG18-36U</b>     | 36U Aliminium Profile frame, 18xDIN49440 Socket Schuke PDU, 2X16A MCB, 3*1,5mm 2m cord    |
| <b>ZEY.SPG18-42U</b>     | 42U Aliminium Profile frame, 18xDIN49440 Socket Schuke PDU, 2X16A MCB, 3*1,5mm 2m cord    |
| <b>ZEY.SPG12-26U-IEC</b> | 26U Aliminium Profile frame, 12xIEC 320 C13 Socket Schuke PDU, 1X16A MCB, 3*1,5mm 2m cord |
| <b>ZEY.SPG18-32U-IEC</b> | 32U Aliminium Profile frame, 18xIEC 320 C13 Socket Schuke PDU, 2X16A MCB, 3*1,5mm 2m cord |
| <b>ZEY.SPG18-36U-IEC</b> | 36U Aliminium Profile frame, 18xIEC 320 C13 Socket Schuke PDU, 2X16A MCB, 3*1,5mm 2m cord |
| <b>ZEY.SPG18-42U-IEC</b> | 42U Aliminium Profile frame, 18xIEC 320 C13 Socket Schuke PDU, 2X16A MCB, 3*1,5mm 2m cord |



## HORIZONTAL CABLE ORGANIZERS

| Order Code        | Product Name                          | Weight (kg) |
|-------------------|---------------------------------------|-------------|
| <b>ZEY.ORG1U</b>  | 1U 19" Cable Management 5 Metal Rings | 0,60        |
| <b>ZEY.ORG2U</b>  | 2U 19" Cable Management 5 Metal Rings | 0,80        |
| <b>ZEY.ORG1UF</b> | 1U 19" Cable Management with brush    | 0,60        |
| <b>ZEY.ORG2UF</b> | 2U 19" Cable Management with brush    | 0,80        |



## BLANK PANELS

| Order Code        | Product Name          | Width (mm) | Depth (mm) | Height (mm) | Weight (kg) |
|-------------------|-----------------------|------------|------------|-------------|-------------|
| <b>ZEY.KAP1U</b>  | 1U Blank Panel        | 483        | 15         | 44,5        | 0,30        |
| <b>ZEY.KAP2U</b>  | 2U Blank Panel        | 483        | 15         | 89          | 0,40        |
| <b>ZEY.KAP3U</b>  | 3U Blank Panel        | 483        | 15         | 133         | 0,60        |
| <b>ZEY.KAP4U</b>  | 4U Blank Panel        | 483        | 15         | 174         | 0,80        |
| <b>ZEY.PKAP1U</b> | 1U Blank Panel vented | 483        | 15         | 44,5        | 0,25        |
| <b>ZEY.PKAP2U</b> | 2U Blank Panel vented | 483        | 15         | 89          | 0,35        |
| <b>ZEY.PKAP3U</b> | 3U Blank Panel vented | 483        | 15         | 133         | 0,55        |
| <b>ZEY.PKAP4U</b> | 4U Blank Panel vented | 483        | 15         | 174         | 0,75        |



## VERTICAL CABLE ORGANIZERS

| Order Code       | Product Name                                   | Width (mm) | Depth (mm) | Height (mm) | Weight (kg) |
|------------------|--|------------|------------|-------------|-------------|
| <b>ZEY.ORG26</b> | 26U Vertical Cable Management (1 set: 2 piece) | 90         | 90         | 966         | 5,00        |
| <b>ZEY.ORG32</b> | 32U Vertical Cable Management (1 set: 2 piece) | 90         | 90         | 1233        | 6,00        |
| <b>ZEY.ORG36</b> | 36U Vertical Cable Management (1 set: 2 piece) | 90         | 90         | 1411        | 6,80        |
| <b>ZEY.ORG42</b> | 42U Vertical Cable Management (1 set: 2 piece) | 90         | 90         | 1678        | 7,20        |
| <b>ZEY.ORG44</b> | 44U Vertical Cable Management (1 set: 2 piece) | 90         | 90         | 1767        | 7,80        |
| <b>ZEY.ORG47</b> | 47U Vertical Cable Management (1 set: 2 piece) | 90         | 90         | 1900        | 8,20        |

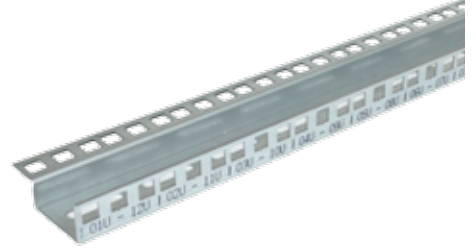


\* Vertical cable organizers has been used 800\*600 mm, 800\*800 mm and 800\*1000 mm rack cabinets inside.

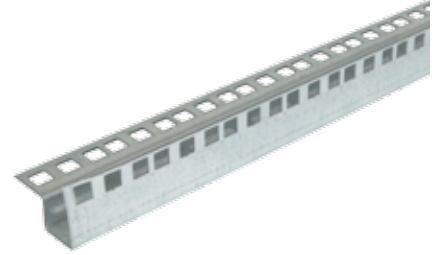
\*\* The weight is 1 piece vertical organizer and it cover.

**MOUNTING VERTICALS**

| Order Code | Product Name                           | Width (mm) | Depth (mm) | Height (mm) | Weight (kg) |
|------------|--|------------|------------|-------------|-------------|
| ZEY.D12U   | 12U Mounting Vertical (1 Set: 2 Piece) | 25         | 62,5       | 537         | 1,00        |
| ZEY.D16U   | 16U Mounting Vertical (1 Set: 2 Piece) | 25         | 62,5       | 715         | 1,40        |
| ZEY.D20U   | 20U Mounting Vertical (1 Set: 2 Piece) | 25         | 62,5       | 893         | 1,75        |
| ZEY.D22U   | 22U Mounting Vertical (1 Set: 2 Piece) | 25         | 62,5       | 982         | 1,95        |
| ZEY.D26U   | 26U Mounting Vertical (1 Set: 2 Piece) | 25         | 62,5       | 1160        | 2,30        |
| ZEY.D32U   | 32U Mounting Vertical (1 Set: 2 Piece) | 25         | 62,5       | 1427        | 2,85        |
| ZEY.D36U   | 36U Mounting Vertical (1 Set: 2 Piece) | 25         | 62,5       | 1605        | 3,12        |
| ZEY.D42U   | 42U Mounting Vertical (1 Set: 2 Piece) | 25         | 62,5       | 1872        | 3,68        |
| ZEY.D44U   | 44U Mounting Vertical (1 Set: 2 Piece) | 25         | 62,5       | 1961        | 3,86        |
| ZEY.D47U   | 47U Mounting Vertical (1 Set: 2 Piece) | 25         | 62,5       | 2095        | 4,10        |


**MOUNTING VERTICALS**

| Order Code | Product Name                           | Width (mm) | Depth (mm) | Height (mm) | Weight (kg) |
|------------|--|------------|------------|-------------|-------------|
| ZEY.D7U    | 7 U Mounting Vertical (1 Set:2 Piece)  | 35         | 50         | 344         | 0,20        |
| ZEY.D9U    | 9 U Mounting Vertical (1 Set:2 Piece)  | 35         | 50         | 433         | 0,40        |
| ZEY.D12U   | 12 U Mounting Vertical (1 Set:2 Piece) | 35         | 50         | 566         | 0,50        |
| ZEY.D15U   | 15 U Mounting Vertical (1 Set:2 Piece) | 35         | 50         | 700         | 0,80        |
| ZEY.D18U   | 18 U Mounting Vertical (1 Set:2 Piece) | 35         | 50         | 833         | 0,90        |


**VERTICAL CABLE TRAYS METAL**

| Order Code | Product Name                    | Width (mm) | Depth (mm) | Height (mm) | Weight (kg) |
|------------|---------------------------------|------------|------------|-------------|-------------|
| ZEY.KK12U  | 12U Vertical Cable Tray w=100mm | 100        | 10         | 537         | 0,56        |
| ZEY.KK16U  | 16U Vertical Cable Tray w=100mm | 100        | 10         | 715         | 0,74        |
| ZEY.KK20U  | 20U Vertical Cable Tray w=100mm | 100        | 10         | 893         | 0,95        |
| ZEY.KK22U  | 22U Vertical Cable Tray w=100mm | 100        | 10         | 982         | 1,05        |
| ZEY.KK26U  | 26U Vertical Cable Tray w=100mm | 100        | 10         | 1160        | 1,25        |
| ZEY.KK32U  | 32U Vertical Cable Tray w=100mm | 100        | 10         | 1427        | 1,52        |
| ZEY.KK36U  | 36U Vertical Cable Tray w=100mm | 100        | 10         | 1605        | 1,70        |
| ZEY.KK42U  | 42U Vertical Cable Tray w=100mm | 100        | 10         | 1872        | 2,00        |
| ZEY.KK44U  | 44U Vertical Cable Tray w=100mm | 100        | 10         | 1961        | 2,10        |
| ZEY.KK47U  | 47U Vertical Cable Tray w=100mm | 100        | 10         | 2094        | 2,25        |


**EQUIPMENT SUPPORT**

| Order Code | Product Name   | Width (mm) | Depth (mm) | Height (mm) | Weight (kg) |
|------------|--|------------|------------|-------------|-------------|
| ZEY.LCD60  | L-Type Equipment Support for d=600mm cabinet (1set:2 piece)  | 46,5       | 397        | 44,5        | 0,84        |
| ZEY.LCD80  | L-Type Equipment Support for d=800mm cabinet (1set:2 piece)  | 46,5       | 517        | 44,5        | 1,10        |
| ZEY.LCD100 | L-Type Equipment Support for d=1000mm cabinet (1set:2 piece) | 46,5       | 717        | 44,5        | 1,52        |

## LEVELLING FEET, CASTORS & MOUNTING ACCESSORIES

| Order Code | Product Name  | Weight (kg) |
|------------|---|-------------|
| ZEY.AKS1   | Castor group, 2ea front lockable, rotatable, 2ea rear rotatable for standing type cabinet | 1,8         |
| ZEY.AKS2   | Levelling feet 1 set 4 piece  | 0,25        |
| ZEY.AKS3   | M6 caged nut, screw, washer 1 set:20 piece  | 0,19        |
| ZEY.AKS4   | Mounting set for wall mount type cabinet  | 0,30        |
| ZEY.AKS5   | Castor group, 2ea front lockable, rotatable, 2ea rear rotatable for mount type cabinet    | 0,82        |
| ZEY.AKS6   | M6 caged nut, screw, washer 1 set:50 piece  | 0,82        |
| ZEY.AKS7   | Floor fixing kit  | 0,49        |
| ZEY.AKS8   | Earthing set  | 0,35        |
| ZEY.AKS9   | Cabinet combining set   | 0,1         |



## GROUND CONNECTION & EARTH-QUAKE SET

| Order Code | Product Name                        |
|------------|-------------------------------------|
| ZEY.ZBK600 | Ground Connection Set Width: 600 mm |
| ZEY.ZBK800 | Ground Connection Set Width: 800 mm |

## BASE MODULES

| Order Code | Product Name         | Dimensions (mm) | Weight (kg) |
|------------|----------------------|-----------------|-------------|
| ZEY.B66    | Base Module h:100 mm | 600*600         | 4,20        |
| ZEY.B68    | Base Module h:100 mm | 600*800         | 5,00        |
| ZEY.B88    | Base Module h:100 mm | 800*800         | 5,60        |
| ZEY.B610   | Base Module h:100 mm | 600*1000        | 5,60        |
| ZEY.B810   | Base Module h:100 mm | 800*1000        | 6,30        |



## LIGHTING MODULES

| Order Code | Product Name                         | Width (mm) | Depth (mm) | Height (mm) | Weight (kg) |
|------------|--------------------------------------|------------|------------|-------------|-------------|
| ZEY.AYD1   | 19" 1U Manuel Lighting Module        | 483        | 26,5       | 44,5        | 0,20        |
| ZEY.AYD2   | 19" 1U Automatic Lighting Module     | 483        | 26,5       | 44,5        | 0,25        |
| ZEY.AYD3   | 19" 1U Manuel LED Lighting Module    | 483        | 26,5       | 44,5        | 0,25        |
| ZEY.AYD4   | 19" 1U Automatic LED Lighting Module | 483        | 26,5       | 44,5        | 0,30        |





## OPEN TYPE RACK CABINETS

### OPEN FRAME RACKS

Using & applications areas are as; Open system network cabling, test & measuring laboratories, Schools, Factories, Quality Control Sections, need to test equipment movement at the test places. They produce accordance to the 19" & "U" principles and general Rack Cabinet Std. TS EN 61587 & IEC 60297-2. Compliance.

The support verticals (Posts) are two types produced as;

A – 2 verticals posts

B – 4 Verticals posts

Width 19" (19\*25,4 mm = 482,6 mm) comply. Heights starts from 16U (1U=44,5mm) up to 47U. Square holes sizes are 3/8"\*3/8"=9,5\*9,5 mm; Verticals mounted bottom & top with an strengthen support elements for the rigid frame body. Modular construction.

Painted Electro Static Powder Coating RAL std. Castors & bottom fixing facility so easy to transport the whole body.

Delivered assembled or disassembled.

150-250 kg max static load capacity.

Optional for ventilation may install middle fan.



## 19" IP CLASS OUTDOOR TYPE RACK CABINETS

### Basic Features

- This type cabinet generally use voice-data and image (vision) transmission on Telecommunication sector, for signalling, camera controls, navigation remote control e.t.c requirement can use successfully.
- Bestrack outdoor cabinet designing with bases and also Wall or pylons type cabinets type enclosures specifications.
- For corrosion protected for outside using.
- In side of the cabinet there is natural ventilation.
- Index of Protection is IP 65 and IP 66
- Size are; 7U, 9U, 12U, 16U and 20U height, 600mm width, 450mm&600mm depth std. Sizes production
- Also can produce according to the technical specification compliance.

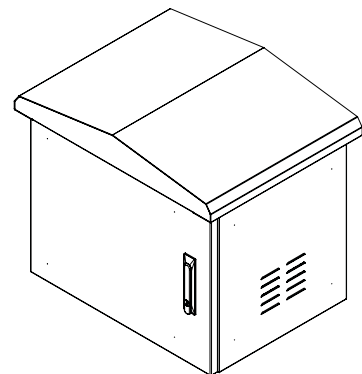
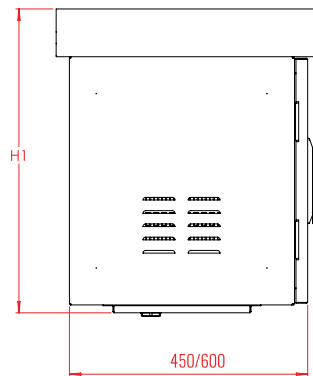
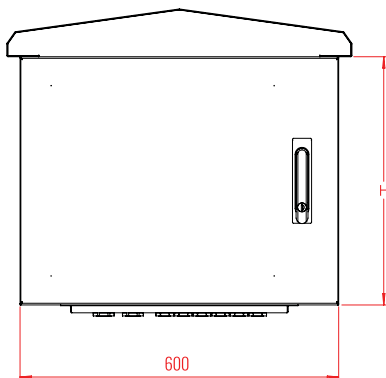
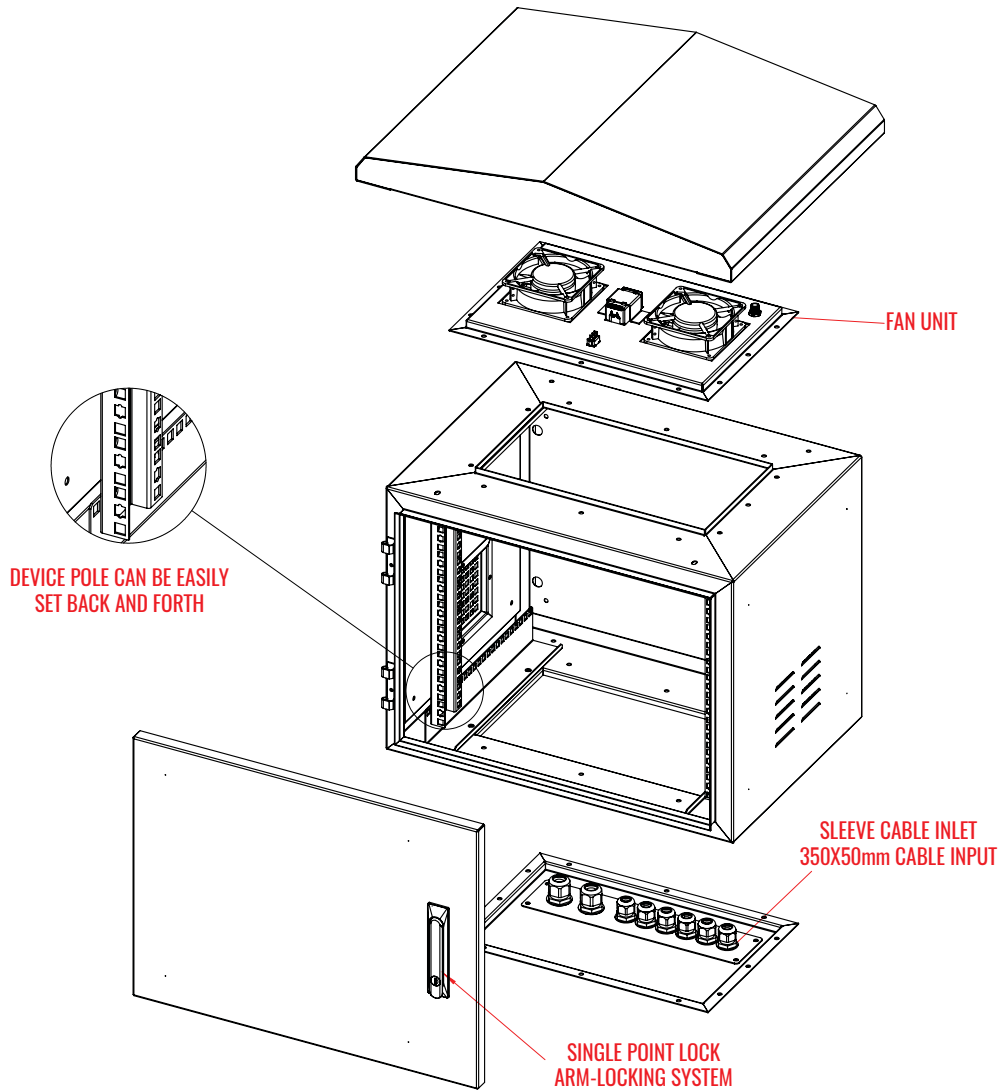
### Structured Detailed

- Main frame construction is mono-block bending and welded. Thickness of the cabinet is 1,5-2 mm metal steel used thickness
- **Painting;** For finishing all the outdoor cabinets all parts are coated after the surface threthmant proccessing RAL 7035 light grey epoxy-polyester electro-static powder coating painting.
- **Head Cover Module;** Mono-block twist and welded so both sides of the cabinet there are ventilation holes makes its air circulation easy.
- **Cable Inlet Modules;** For incoming cables into cabinet used strong and proper cable glands so for to use best cabling inside.
- **Bases Module;** On the cabinet 4 points the base mounts so easy. Also with these 4 points it connects to the concrete bottom fixing.
- **Fan Module;** 1 or 2 fans are to discharge hot-air from the inside to the outside ventilation. The hot air vented head units air circulation holes.
- **Wall Structure;** Our Bestrack cabinets are available to use both single-wall or double Wall. In double-wall construction there is special isolation materials between the walls. Prevents cold-hot air.
- **Power Distribution Unit;** The PDU is on power sockets combination. There are two options. One is PVC the other Aluminium body. It contains Earth Socket, UPS socket, Fuses, or observable and manageable. It is also convenience 19" Rack Cabinet mounting on the rack.
- **Delivering;** After the quality control is passed our all product wrapped and packed with strapor protection, cartoon pack it is strengthen to the impact resistance and after delivered with safety and secure as assembling packing.

In our outdoor type cabinets comply with to the structured cabling system and also comply with the Project, so putting inside equipments of network as switch, router modem, server, patch panel, telephone exchange & electronics equipment mounting and convenience cabling rigid, safe, secure functional and aesthetic production continuous.



**EXPLODED ISOMETRIC VIEWS**



## 19" IP CLASS OUTDOOR TYPE RACK CABINETS

**BESTRACK**

### 600\*450 mm IP CLASS OUTDOOR TYPE RACK CABINETS



| Order Code       | Product Name                        | Width (mm) | Depth (mm) | Height (mm) | Weight (kg) |
|------------------|-------------------------------------|------------|------------|-------------|-------------|
| ZEY.IPCLS07U6045 | 07U 600x450 mm Outdoor Type Cabinet | 600        | 450        | 484         | 29,00       |
| ZEY.IPCLS09U6045 | 09U 600x450 mm Outdoor Type Cabinet | 600        | 450        | 573         | 30,00       |
| ZEY.IPCLS12U6045 | 12U 600x450 mm Outdoor Type Cabinet | 600        | 450        | 707         | 36,00       |
| ZEY.IPCLS16U6045 | 16U 600x450 mm Outdoor Type Cabinet | 600        | 450        | 885         | 41,00       |
| ZEY.IPCLS20U6045 | 20U 600x450 mm Outdoor Type Cabinet | 600        | 450        | 1065        | 46,00       |

Note: In the table giving weights figures without base and single wall's cabinets validated.

**600\*600 mm IP CLASS OUTDOOR TYPE RACK CABINETS**



| Order Code              | Product Name                        | Width (mm) | Depth (mm) | Height (mm) | Weight (kg) |
|-------------------------|-------------------------------------|------------|------------|-------------|-------------|
| <b>ZEY.IPCLS07U6060</b> | 07U 600x600 mm Outdoor Type Cabinet | 600        | 600        | 484         | 36,00       |
| <b>ZEY.IPCLS09U6060</b> | 09U 600x600 mm Outdoor Type Cabinet | 600        | 600        | 573         | 38,50       |
| <b>ZEY.IPCLS12U6060</b> | 12U 600x600 mm Outdoor Type Cabinet | 600        | 600        | 707         | 43,50       |
| <b>ZEY.IPCLS16U6060</b> | 16U 600x600 mm Outdoor Type Cabinet | 600        | 600        | 885         | 19,00       |
| <b>ZEY.IPCLS20U6060</b> | 20U 600x600 mm Outdoor Type Cabinet | 600        | 600        | 1065        | 54,00       |

Note: In the table giving weights figures without base and double wall's cabinets validated.

### 600\*450 mm OUTDOOR TYPE RACK CABINET DOUBLE WALLS

| Order Code        | Product Name              | Weight (kg) |
|-------------------|---------------------------|-------------|
| ZEY.IPCLS07UCDR45 | 07U 600x450mm Double Wall | 5,00        |
| ZEY.IPCLS09UCDR45 | 09U 600x450mm Double Wall | 6,50        |
| ZEY.IPCLS12UCDR45 | 12U 600x450mm Double Wall | 8,50        |
| ZEY.IPCLS16UCDR45 | 16U 600x450mm Double Wall | 11,50       |
| ZEY.IPCLS20UCDR45 | 20U 600x450mm Double Wall | 14,50       |



### 600\*600 mm OUTDOOR TYPE RACK CABINET DOUBLE WALLS

| Order Code        | Product Name              | Weight (kg) |
|-------------------|---------------------------|-------------|
| ZEY.IPCLS07UCDR60 | 07U 600x600mm Double Wall | 6,50        |
| ZEY.IPCLS09UCDR60 | 09U 600x600mm Double Wall | 7,50        |
| ZEY.IPCLS12UCDR60 | 12U 600x600mm Double Wall | 10,00       |
| ZEY.IPCLS16UCDR60 | 16U 600x600mm Double Wall | 13,00       |
| ZEY.IPCLS20UCDR60 | 20U 600x600mm Double Wall | 16,00       |



### OUTDOOR TYPE RACK CABINET FAN UNITS

| Order Code    | Product Name  | Weight (kg) |
|---------------|---|-------------|
| ZEY.IPCLSFNT1 | Cooling Unit With 1 Fan+Thermostat Controlled (For Outdoor Cabinet) | 0,90        |
| ZEY.IPCLSFNT2 | Cooling Unit With 2 Fan+Thermostat Controlled (For Outdoor Cabinet) | 1,30        |



**600\*450 mm OUTDOOR TYPE RACK CABINET BASE MODULES**

| Order Code                 | Product Name       | Weight (kg) |
|----------------------------|--------------------|-------------|
| <b>ZEY.IPCLS100PTH6045</b> | 600x450x100mm Base | 4,25        |
| <b>ZEY.IPCLS200PTH6045</b> | 600x450x200mm Base | 6,75        |
| <b>ZEY.IPCLS300PTH6045</b> | 600x450x300mm Base | 9,25        |
| <b>ZEY.IPCLS400PTH6045</b> | 600x450x400mm Base | 11,50       |
| <b>ZEY.IPCLS500PTH6045</b> | 600x450x500mm Base | 14,00       |

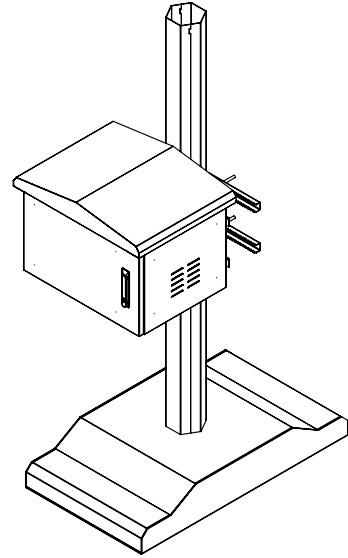
**600\*600 mm OUTDOOR TYPE RACK CABINET BASE MODULES**

| Order Code                 | Product Name       | Weight (kg) |
|----------------------------|--------------------|-------------|
| <b>ZEY.IPCLS100PTH6060</b> | 600x600x100mm Base | 5,00        |
| <b>ZEY.IPCLS200PTH6060</b> | 600x600x200mm Base | 7,50        |
| <b>ZEY.IPCLS300PTH6060</b> | 600x600x300mm Base | 10,50       |
| <b>ZEY.IPCLS400PTH6060</b> | 600x600x400mm Base | 13,25       |
| <b>ZEY.IPCLS500PTH6060</b> | 600x600x500mm Base | 16,00       |



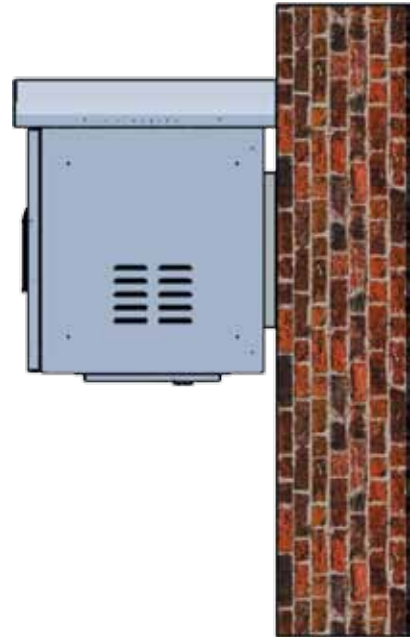
**OUTDOOR TYPE RACK CABINET HANGING AND FIXING ON THE POLES**

| Order Code         | Product Name       | Weight (kg) |
|--------------------|--------------------|-------------|
| <b>ZEY.IPCLSPM</b> | Fixing on the Pole | 5,00        |



**OUTDOOR TYPE RACK CABINET FIXING ON THE WALLS**

| Order Code            | Product Name           | Weight (kg) |
|-----------------------|------------------------|-------------|
| <b>ZEY.IPCLSWM07U</b> | 07U Fixing on the Wall | 0,65        |
| <b>ZEY.IPCLSWM09U</b> | 09U Fixing on the Wall | 0,90        |
| <b>ZEY.IPCLSWM12U</b> | 12U Fixing on the Wall | 1,30        |
| <b>ZEY.IPCLSWM16U</b> | 16U Fixing on the Wall | 1,85        |
| <b>ZEY.IPCLSWM20U</b> | 20U Fixing on the Wall | 2,40        |





## STRUCTURED DETAILED

### › Double – Wall Construction

Out – Wall 1,5 mm thick , Inside –wall 1 mm thick also prevents to the out-door impact with the special – izolation materials between two doors . This type protection is very high –level .

### › Active Circulation Construction

There are 2 suitable fans equipped inside with the filter which can serve for the flowing hot-air to the outside of the cabinet. Under the punched (holes) of top cover section . At the bottom section there is a fan which protects dust & water incoming to the cabinet .

### › Gasket Construction

There is very special fluid – gasket which prevent dust & water incoming to the cabinet .

### › Easy Pole – Mounting & Camera Mounting

With the pole connection apparatus the cabinet can mount easily on the poles. There are also 4 ( four ) mounting space on the cabinet for camera mounting .

### › Mounting Rails

In side of the cabinet have the equipment which does electrical connection used DIN Type rails.

### › Movable UPS Rails

It can help for the UPS Equipment's operation which have castors & movable body easily.

### › Lighting

There is automatic lighting module inside of the cabinet which serve in the dark environmental for lighting controls.

### › Front Door Construction for Locking

3 point locking and have gasket construction of the cabinet serve safety & secure inside maximum level.

### › Modem – Equipment & Switch Shelves

Top of the inside cabinet section is fixed rails also help easily to put on it modem or other electronic equipment.



### 19" WALL MOUNT TYPE RACK CABINETS



#### Basic Features

- Our Wall-mount type cabinets are serving for small scale network system installation comply with the right and security also best convenience solutions to the client.
- Our Wall-mount cabinets comply with TSEN 61587-1 Mechanical Construction (for Electronic equipments Cabinets) Also our main factory Located in ANKARA-TURKEY covered 13000 meter-square areas and produced according to the ISO 9001:2015 Quality Management Systems Regulations.
- All cabinet's vertical hole spacing and horizontal hole spacing (sizes) comply with IEC 297-2 ANS/EIA RS -310-D DIN41494-1-7 Standards.
- Our Wall-mount cabinets depth 560mm heights are 7U, 9U,12U, 15U, 16U,18U and 20U,if the depts is 450mm products are 7U, 9U,12U, 15U, 16U,18U and 20U serving to the clients.  
Another ECO type Wall-mount products are 400mm depth and 7U-9U-12U heights serving to the clients.
- Wall-mount cabinet's front door 4mm thick.Tempered glass, all side panels and back cover are lockable and removable construction design.

- 19" Equipment Rack Mounting verticals(posts) are punched square holes and also adjustable along the depth construction.

#### Tests & Certificates

- Our cabinets has been tested according to the TS EN 61587-1 standards and climatical tests part 4.2 cold ,dry heat and wet heat tests accor.C1 class , Part 4.3 Industry Environment 41 class SL7 , comply.
- Mechanical Load tests accor par.5.21 and 5.2.2 and class SL5 comply
- Dynamic Load,vibration,mechanical impact (force) tests applies DL 4 class,
- External Mechanical Impacts K2 class.
- Earth (Grounding) connecting continuity tested TS EN 61587-2-1/6.2 comply
- Produced & tested accor to the IP 20 (Index of Protection)

**STRUCTURED DETAILED**

**Main Body Profile Construction;**

**Bottom and Top plates,main frame verticals;** In a single piece(rigid) 1mm thick. Main frame profiles connected 32 points also modular structured.

**Front Door;** 4mm tempered glass with lock.

**Side Panels;** 1mm thick botton lockable removable rigid steel construction

**Back Door;** Is integrated with the main body.

**Cable Inlet;** On Bottom&Top plate there are enough cable inlet places for cabling

**19" Equipment Mounting Verticals(posts):** 1,5mm thick. Mounting verticals made by pregalnized solid steel accor. TS 822 Std.

**Painting:** RAL7035 Color code finishing Electro-Static powder coating painted.

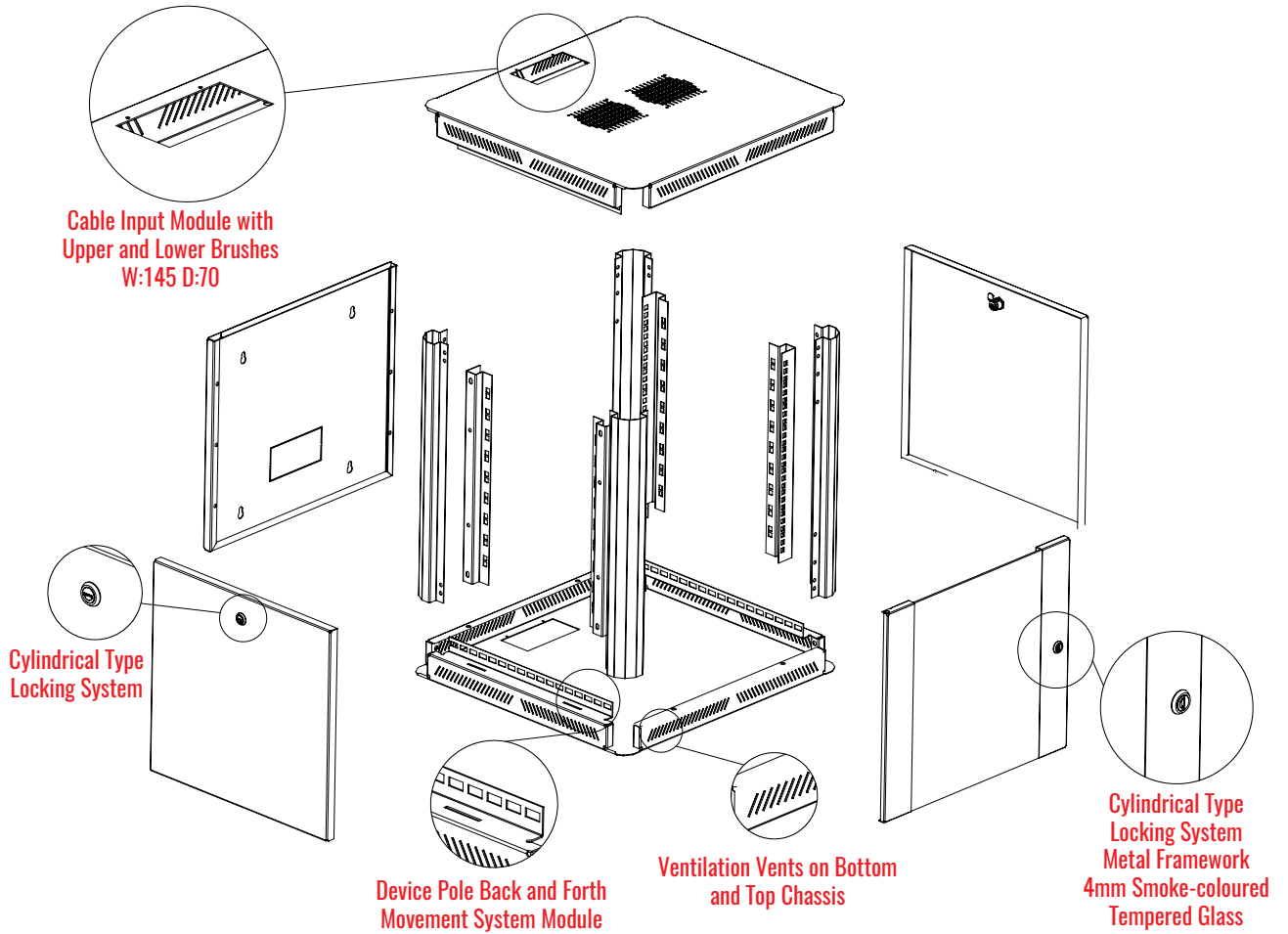
**Ventilation:** Placedunder the top plate the fan thermostat modules makes high air circulation low level noise inside of the cabinet in good effective ventilation.

**Power Distribution Unit:** The PDU is on power sockets combination. There are two options. One is PVC the other Aluminium body. It contains Earth Socket, UPS socket, Fuses, or observable and manageable. It is also convenience 19" Rack Cabinet mounting on the rack.

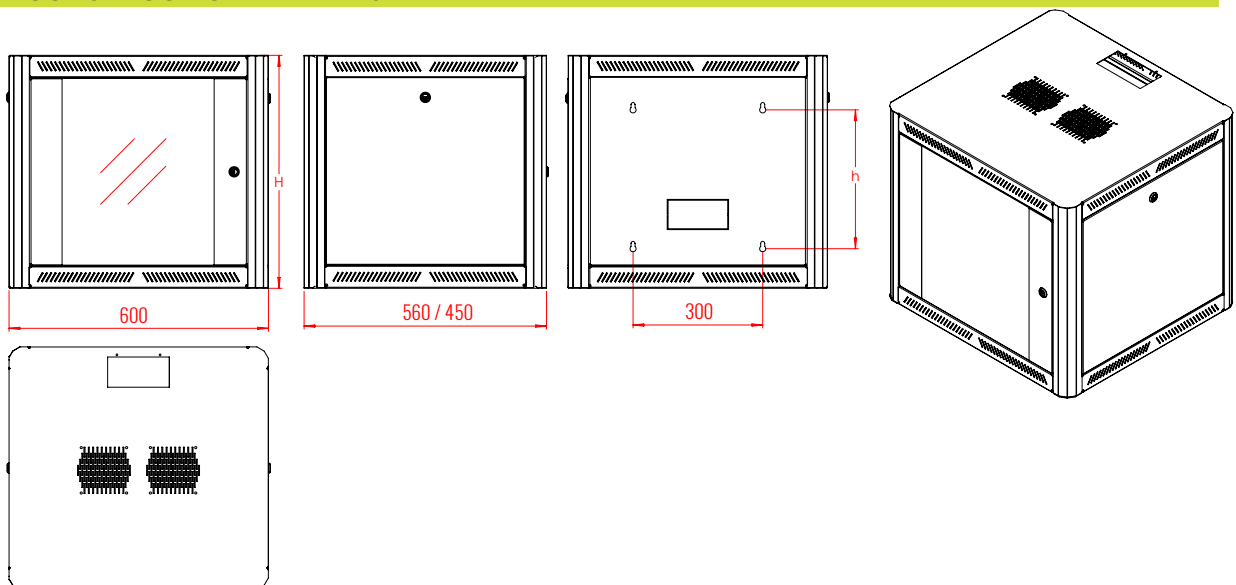
**Delivering:** After the quality control is passed our all product wrapped and packed with strapor protection, cartoon pack it is strengthen to the impact resistance and after delivered with safety and secure as assembling packing.



EXPLODED ISOMETRIC VIEWS



CONSTRUCTION DRAWING





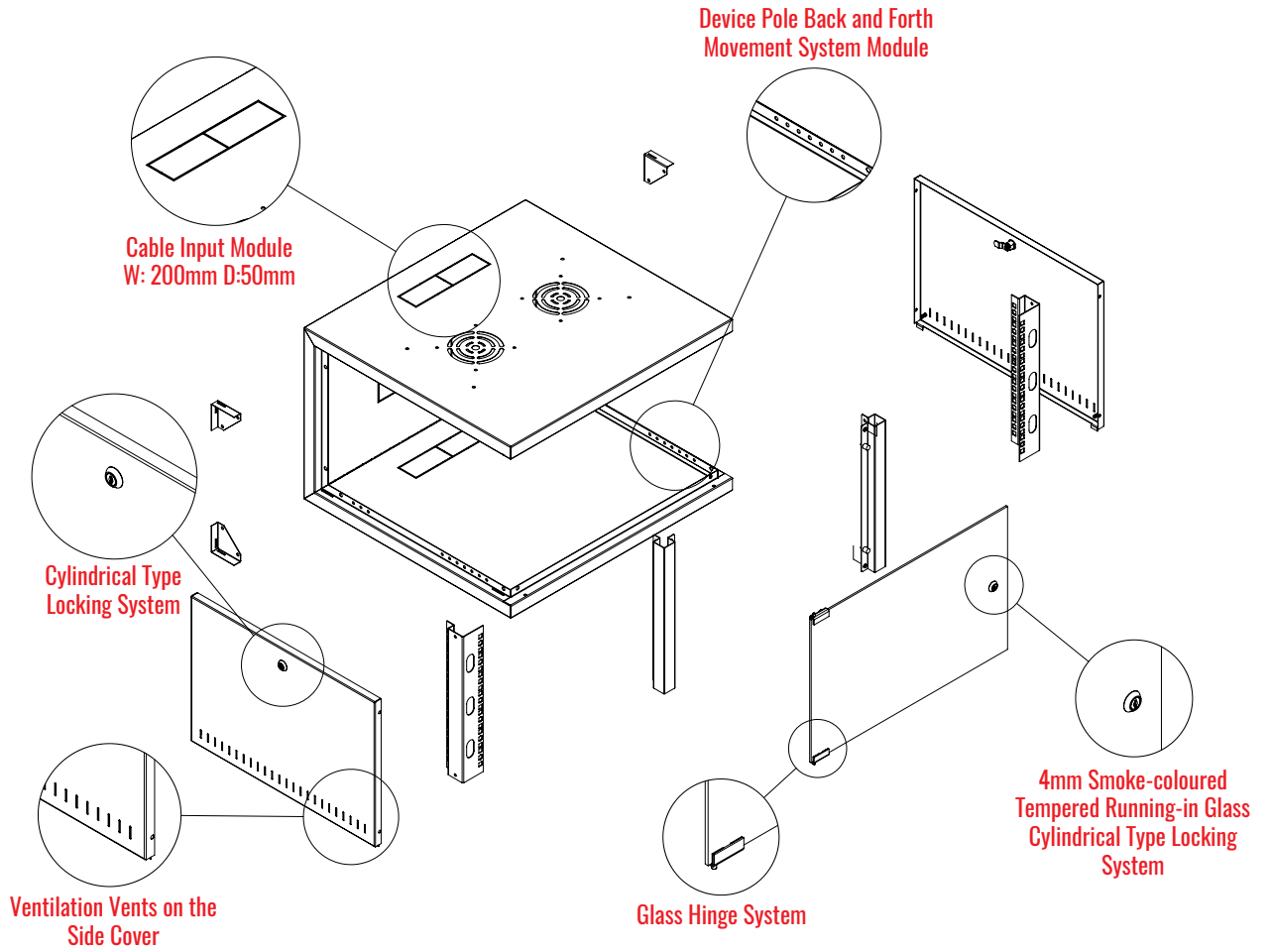
**600\*560 mm GOLD LINE WALL MOUNT TYPE RACK CABINETS**

| Order Code | Product Name                                | Width (mm) | Depth (mm) | Height (mm) | Weight (kg) |
|------------|---|------------|------------|-------------|-------------|
| ZEY.M07U65 | 7U 600x560 mm Gold Line Mount Type Cabinet  | 600        | 560        | 452         | 21,60       |
| ZEY.M09U65 | 9U 600x560 mm Gold Line Mount Type Cabinet  | 600        | 560        | 535         | 23,60       |
| ZEY.M12U65 | 12U 600x560 mm Gold Line Mount Type Cabinet | 600        | 560        | 668         | 27,40       |
| ZEY.M15U65 | 15U 600x560 mm Gold Line Mount Type Cabinet | 600        | 560        | 803         | 31,50       |
| ZEY.M18U65 | 18U 600x560 mm Gold Line Mount Type Cabinet | 600        | 560        | 936         | 37,00       |

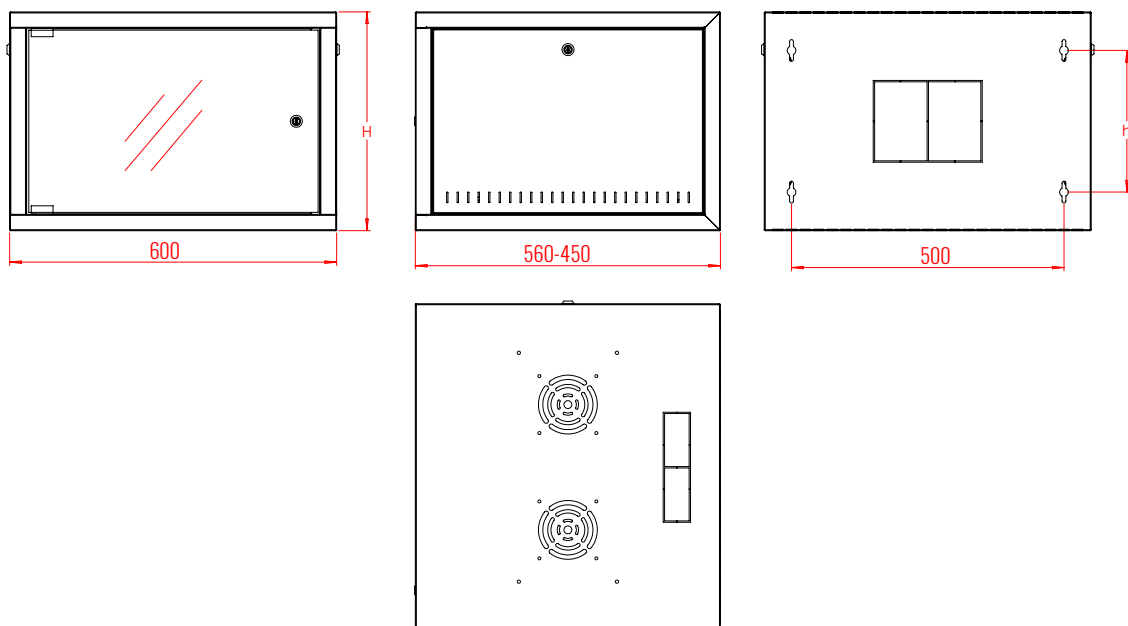
**600\*450 mm GOLD LINE WALL MOUNT TYPE RACK CABINETS**

| Order Code | Product Name                                | Width (mm) | Depth (mm) | Height (mm) | Weight (kg) |
|------------|---|------------|------------|-------------|-------------|
| ZEY.M07U64 | 7U 600x450 mm Gold Line Mount Type Cabinet  | 600        | 450        | 452         | 19,20       |
| ZEY.M09U64 | 9U 600x450 mm Gold Line Mount Type Cabinet  | 600        | 450        | 535         | 21,60       |
| ZEY.M12U64 | 12U 600x450 mm Gold Line Mount Type Cabinet | 600        | 450        | 668         | 25,80       |
| ZEY.M15U64 | 15U 600x450 mm Gold Line Mount Type Cabinet | 600        | 450        | 803         | 29,00       |
| ZEY.M18U64 | 18U 600x450 mm Gold Line Mount Type Cabinet | 600        | 450        | 936         | 34,00       |

**EXPLODED ISOMETRIC VIEWS**



**CONSTRUCTION DRAWING**





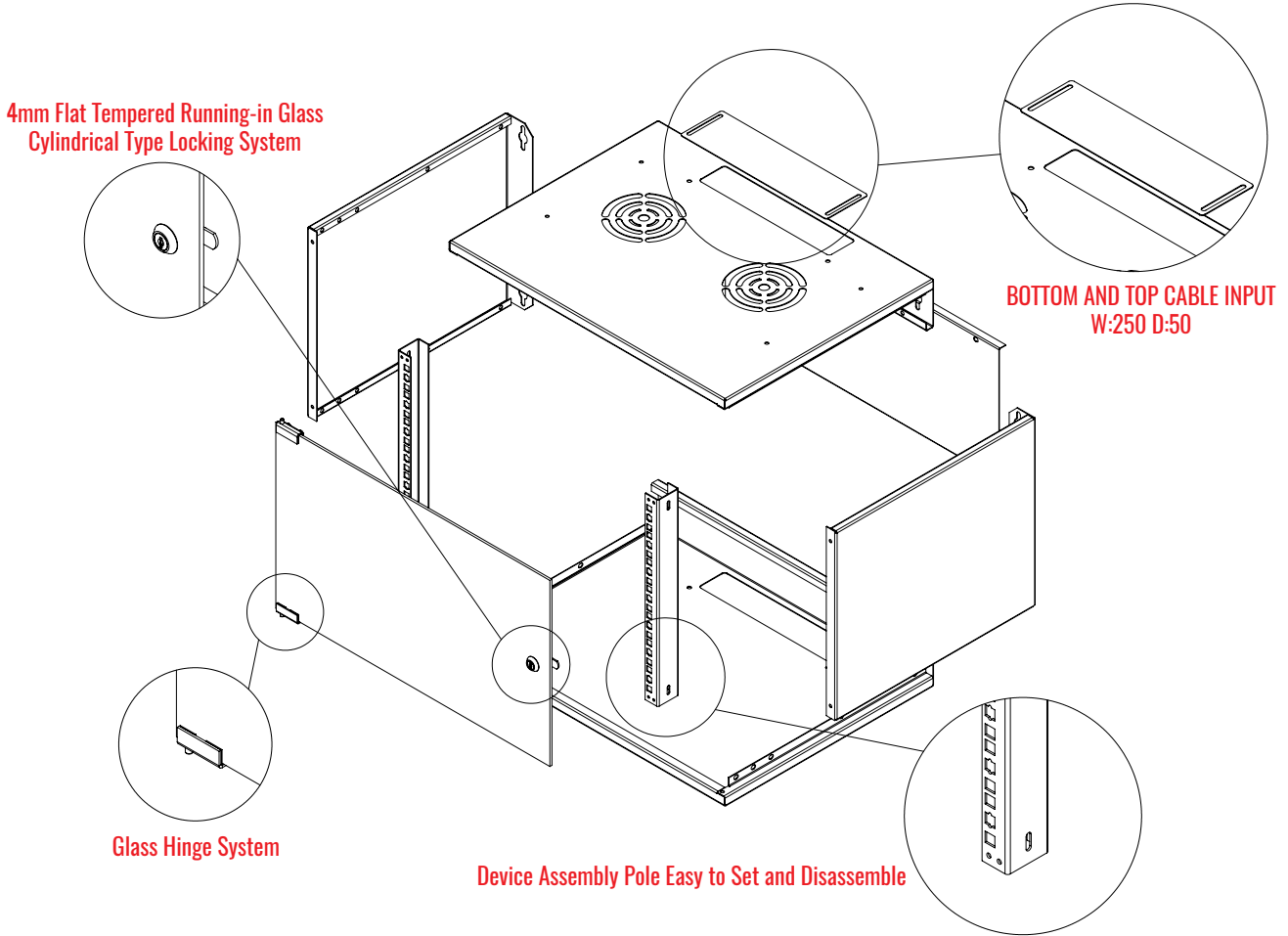
**600\*560 mm SILVER LINE WALL MOUNT TYPE RACK CABINETS**

| Order Code            | Product Name                                  | Width (mm) | Depth (mm) | Height (mm) | Weight (kg) |
|-----------------------|---|------------|------------|-------------|-------------|
| <b>ZEY.SLM07U6056</b> | 07U 600x560 mm Silver Line Mount Type Cabinet | 600        | 560        | 405         | 15,90       |
| <b>ZEY.SLM09U6056</b> | 09U 600x560 mm Silver Line Mount Type Cabinet | 600        | 560        | 495         | 18,00       |
| <b>ZEY.SLM12U6056</b> | 12U 600x560 mm Silver Line Mount Type Cabinet | 600        | 560        | 625         | 15,80       |
| <b>ZEY.SLM16U6056</b> | 16U 600x560 mm Silver Line Mount Type Cabinet | 600        | 560        | 805         | 26,00       |
| <b>ZEY.SLM20U6056</b> | 20U 600x560 mm Silver Line Mount Type Cabinet | 600        | 560        | 980         | 30,50       |

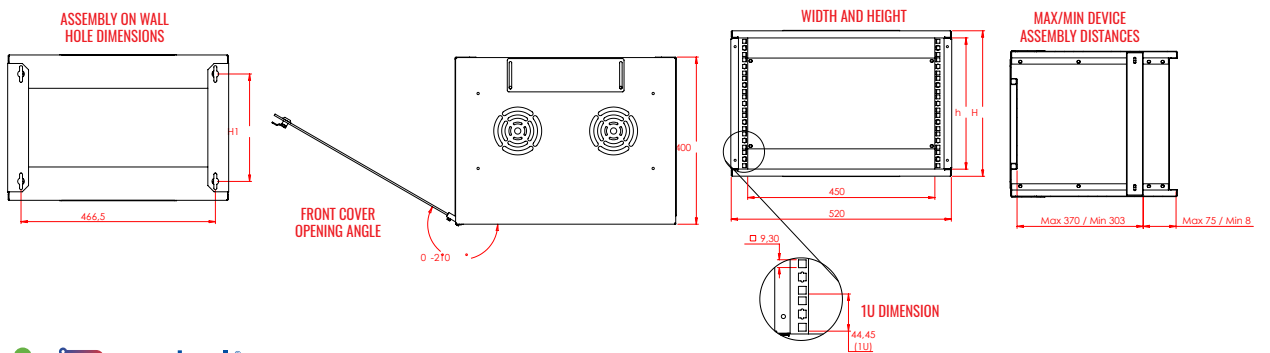
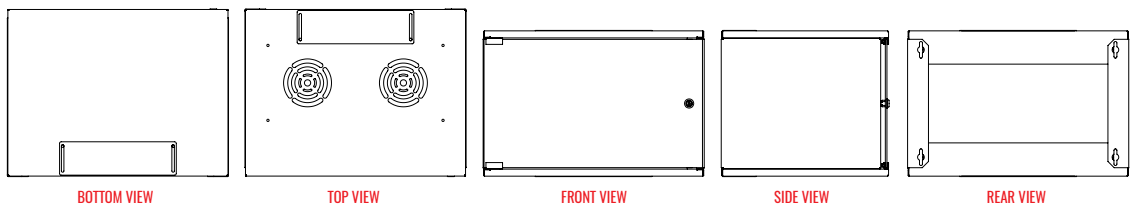
**600\*450 mm SILVER LINE WALL MOUNT TYPE RACK CABINETS**

| Order Code            | Product Name                                  | Width (mm) | Depth (mm) | Height (mm) | Weight (kg) |
|-----------------------|---|------------|------------|-------------|-------------|
| <b>ZEY.SLM07U6045</b> | 07U 600x450 mm Silver Line Mount Type Cabinet | 600        | 450        | 405         | 14,00       |
| <b>ZEY.SLM09U6045</b> | 09U 600x450 mm Silver Line Mount Type Cabinet | 600        | 450        | 495         | 15,90       |
| <b>ZEY.SLM12U6045</b> | 12U 600x450 mm Silver Line Mount Type Cabinet | 600        | 450        | 625         | 18,90       |
| <b>ZEY.SLM16U6045</b> | 16U 600x450 mm Silver Line Mount Type Cabinet | 600        | 450        | 805         | 22,50       |
| <b>ZEY.SLM20U6045</b> | 20U 600x450 mm Silver Line Mount Type Cabinet | 600        | 450        | 980         | 29,00       |

## EXPLODED ISOMETRIC VIEWS



## CONSTRUCTION DRAWING





**520\*400 mm ECO WALL MOUNT TYPE RACK CABINETS**

| Order Code        | Product Name                          | Width (mm) | Depth (mm) | Height (mm) | Weight (kg) |
|-------------------|---------------------------------------|------------|------------|-------------|-------------|
| <b>ZEY.E04U54</b> | 4U 520x400 mm Eco Mount Type Cabinet  | 520        | 400        | 216         | 9,5         |
| <b>ZEY.E07U54</b> | 7U 520x400 mm Eco Mount Type Cabinet  | 520        | 400        | 350         | 11,60       |
| <b>ZEY.E09U54</b> | 9U 520x400 mm Eco Mount Type Cabinet  | 520        | 400        | 440         | 13,20       |
| <b>ZEY.E12U54</b> | 12U 520x400 mm Eco Mount Type Cabinet | 520        | 400        | 570         | 15,80       |

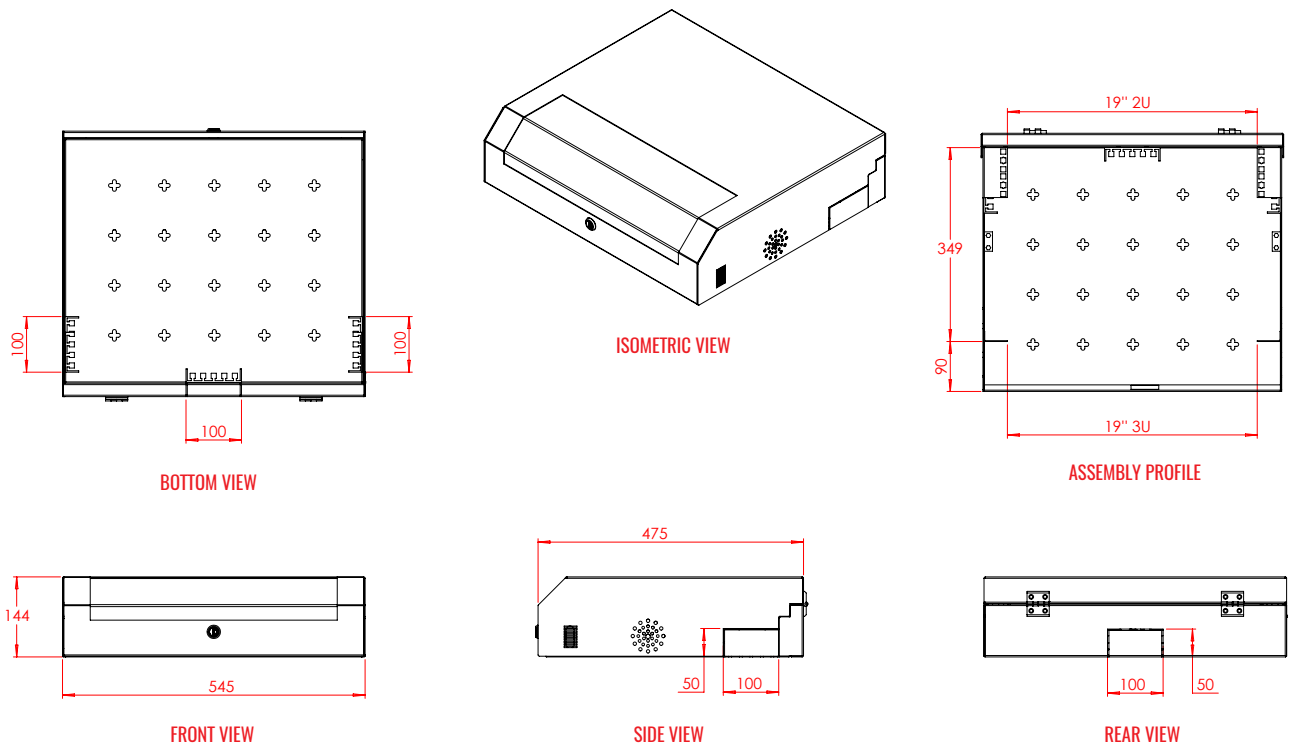
**495\*140 mm JUNIOR LINE WALL MOUNT TYPE RACK CABINETS**



**ISOMETRIC VIEW**

| Order Code       | Product Name  | Width (mm) | Depth (mm) | Height (mm) | Weight (kg) |
|------------------|---|------------|------------|-------------|-------------|
| <b>ZEYJNR05U</b> | 5U Junior Line Wall Mount Type Cabinet (3u Vertical, 2u Horizontal) | 495        | 140        | 475         | 9,50        |

**CONSTRUCTION DRAWING**



**BOTTOM VIEW**

**ISOMETRIC VIEW**

**ASSEMBLY PROFILE**

**FRONT VIEW**

**SIDE VIEW**

**REAR VIEW**

**FIBER PATCH PANELS**

| Order Code       | Product Name                               | Weight (kg) |
|------------------|--|-------------|
| <b>ZEY.FSK06</b> | 6 Port Fiber Optik SC Indoor Blind Cop Box | 1,05        |



| Order Code       | Product Name                                | Weight (kg) |
|------------------|---|-------------|
| <b>ZEY.FSK12</b> | 12 Port Fiber Optik SC Indoor Blind Cop Box | 2,00        |



| Order Code       | Product Name                             | Weight (kg) |
|------------------|--|-------------|
| <b>ZEY.FPP01</b> | 24 Port SC Simplex Rackmount Patch Panel | 3,50        |



| Order Code       | Product Name                             | Weight (kg) |
|------------------|--|-------------|
| <b>ZEY.FPP02</b> | 12 Port SC Simplex Rackmount Patch Panel | 2,25        |



## STANDING MODULAR ELECTRIC PANELS

### STANDING MODULAR ELECTRIC PANELS (M.V)

| Order Code           | Dimensions |             |            |
|----------------------|------------|-------------|------------|
|                      | Width (mm) | Height (mm) | Depth (mm) |
| ZEY.MDP.400-2050-400 | 400        | 2050        | 400        |
| ZEY.MDP.500-2050-400 | 500        | 2050        | 400        |
| ZEY.MDP.600-2050-400 | 600        | 2050        | 400        |
| ZEY.MDP.700-2050-400 | 700        | 2050        | 400        |
| ZEY.MDP.800-2050-400 | 800        | 2050        | 400        |
| ZEY.MDP.900-2050-400 | 900        | 2050        | 400        |

| Order Code           | Dimensions |             |            |
|----------------------|------------|-------------|------------|
|                      | Width (mm) | Height (mm) | Depth (mm) |
| ZEY.MDP.400-2050-500 | 400        | 2050        | 500        |
| ZEY.MDP.500-2050-500 | 500        | 2050        | 500        |
| ZEY.MDP.600-2050-500 | 600        | 2050        | 500        |
| ZEY.MDP.700-2050-500 | 700        | 2050        | 500        |
| ZEY.MDP.800-2050-500 | 800        | 2050        | 500        |
| ZEY.MDP.900-2050-500 | 900        | 2050        | 500        |

| Order Code           | Dimensions |             |            |
|----------------------|------------|-------------|------------|
|                      | Width (mm) | Height (mm) | Depth (mm) |
| ZEY.MDP.400-2050-600 | 400        | 2050        | 600        |
| ZEY.MDP.500-2050-600 | 500        | 2050        | 600        |
| ZEY.MDP.600-2050-600 | 600        | 2050        | 600        |
| ZEY.MDP.700-2050-600 | 700        | 2050        | 600        |
| ZEY.MDP.800-2050-600 | 800        | 2050        | 600        |
| ZEY.MDP.900-2050-600 | 900        | 2050        | 600        |



### STANDING MODULAR ELECTRIC PANELS (M.V)

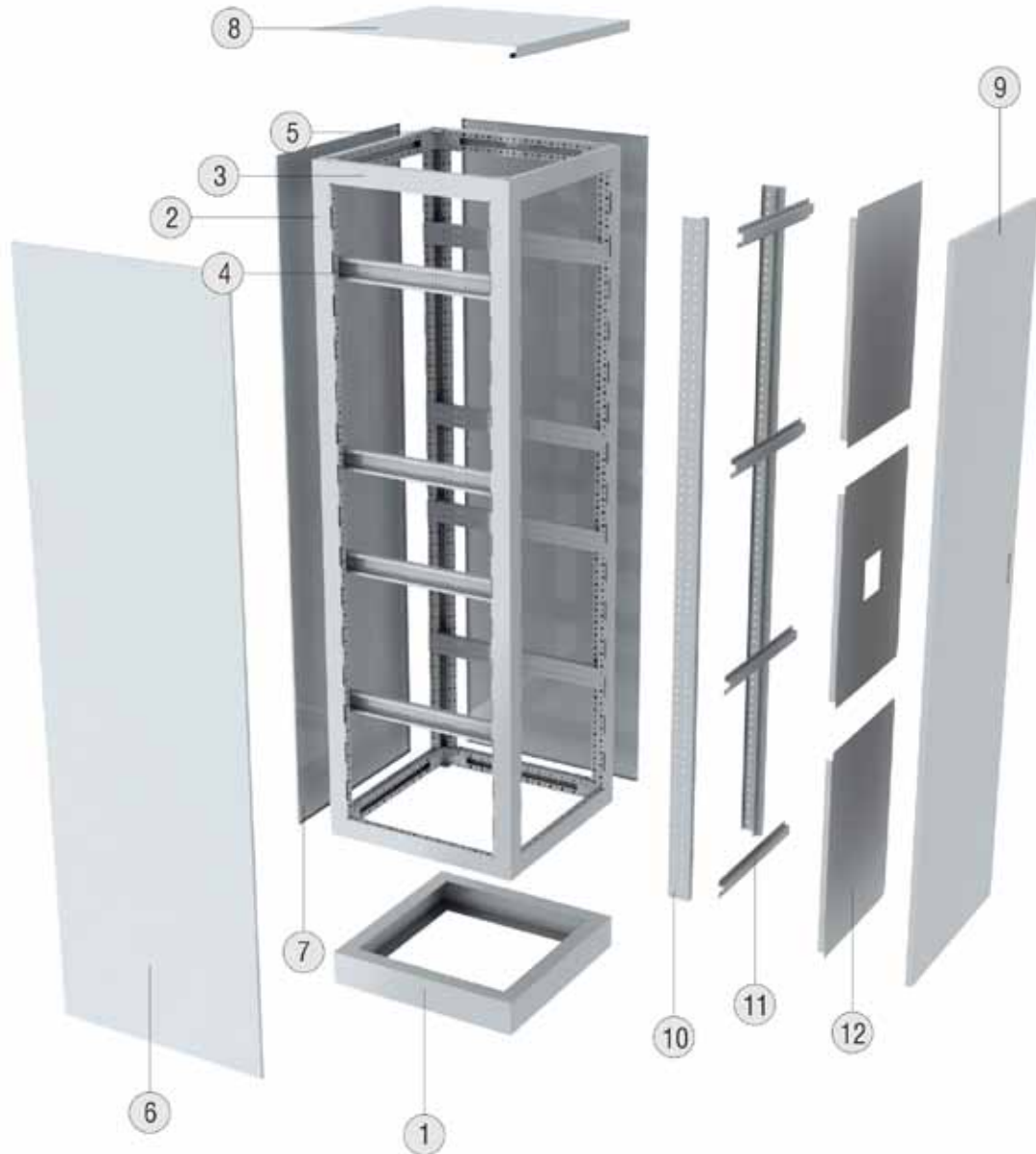
| Order Code                  | Dimensions |             |            |
|-----------------------------|------------|-------------|------------|
|                             | Width (mm) | Height (mm) | Depth (mm) |
| <b>ZEY.MDP.400-2050-700</b> | 400        | 2050        | 700        |
| <b>ZEY.MDP.500-2050-700</b> | 500        | 2050        | 700        |
| <b>ZEY.MDP.600-2050-700</b> | 600        | 2050        | 700        |
| <b>ZEY.MDP.700-2050-700</b> | 700        | 2050        | 700        |
| <b>ZEY.MDP.800-2050-700</b> | 800        | 2050        | 700        |
| <b>ZEY.MDP.900-2050-700</b> | 900        | 2050        | 700        |

| Order Code                  | Dimensions |             |            |
|-----------------------------|------------|-------------|------------|
|                             | Width (mm) | Height (mm) | Depth (mm) |
| <b>ZEY.MDP.400-2050-800</b> | 400        | 2050        | 800        |
| <b>ZEY.MDP.500-2050-800</b> | 500        | 2050        | 800        |
| <b>ZEY.MDP.600-2050-800</b> | 600        | 2050        | 800        |
| <b>ZEY.MDP.700-2050-800</b> | 700        | 2050        | 800        |
| <b>ZEY.MDP.800-2050-800</b> | 800        | 2050        | 800        |
| <b>ZEY.MDP.900-2050-800</b> | 900        | 2050        | 800        |



## STANDING MODULAR ELECTRIC PANELS

### STANDING MODULAR ELECTRIC PANELS (M.V)



1 // Base

2 // Vertical Support

3 // Horizontal Support

4 // Side Strut

5 // Corner Plate

6 // Side Cover

7 // Rear Door

8 // Top Cover

9 // Front Cover

10 // Side Support Vertical

11 // Side Support Horizontal

12 // Cut-out Front Steel Plate

## STANDING MODULAR ELECTRIC PANELS

### MAIN DISTRIBUTION PANELS



#### Product Specs

**Body:** %100 Modular

**Colour:** RAL7035 E. Static Powder Coating

**Steel Thickness:** 1,5 - 2 mm Galvanized

**Cover Thickness:** 1,5 - 2 mm DKP Steel

**Index of Protection:** IP 54

**Cover Gasket:** Cast Seal

**Options:** Special Request will be available

## OUTDOOR STANDING PANELS

## OUTDOOR STANDING PANELS



### Product Specs

**Body:** Monoblock

**Colour:** RAL7035 E. Static Powder Coating

**Steel Thickness:** 2 mm DKP Steel

**Cover Thickness:** 2 mm DKP Steel

**Index of Protection:** IP 54/65

**Cover Gasket:** Cast Seal

**Options:** Special Request will be available





1 // Base

2 // Body

3 // Rear Door

4 // Front Cover

5 // Roof (Top Cover)

6 // Mounting Plate

## FLUSHWALL DIST. PANELS

### FLUSHWALL DIST. PANELS



#### Product Specs

**Body:** Monoblock

**Colour:** RAL7035 E. Static Powder Coating

**Steel Thickness:** 1-1,5 mm DKP Steel

**Cover Thickness:** 1-1,5 mm DKP Steel

**Index of Protection:** IP 40

**Cover Gasket:** Cast Seal

**Options:** Special Request will be available



FLUSHWALL 1 CUBICLE DIST. PANELS

| Order Code          | Dimensions |             |            |
|---------------------|------------|-------------|------------|
|                     | Width (mm) | Height (mm) | Depth (mm) |
| ZEY.SAD.300-350-150 | 300        | 350         | 150        |
| ZEY.SAD.300-400-150 | 300        | 400         | 150        |
| ZEY.SAD.350-500-150 | 350        | 500         | 150        |
| ZEY.SAD.400-500-150 | 400        | 500         | 150        |
| ZEY.SAD.450-550-150 | 450        | 550         | 150        |
| ZEY.SAD.400-600-150 | 400        | 600         | 150        |
| ZEY.SAD.500-600-150 | 500        | 600         | 150        |
| ZEY.SAD.500-700-150 | 500        | 700         | 150        |
| ZEY.SAD.600-600-150 | 600        | 600         | 150        |



FLUSHWALL 2 CUBICLE DIST. PANELS

| Order Code                 | Dimensions   |              |             |            |
|----------------------------|--------------|--------------|-------------|------------|
|                            | Width 1 (mm) | Width 2 (mm) | Height (mm) | Depth (mm) |
| ZEY.SAD.(300+400)-550-150  | 300          | 400          | 550         | 150        |
| ZEY.SAD.(300+400)-700-180  | 300          | 400          | 700         | 180        |
| ZEY.SAD.(300+500)-700-180  | 300          | 500          | 700         | 180        |
| ZEY.SAD.(300+600)-700-180  | 300          | 600          | 700         | 180        |
| ZEY.SAD.(300+400)-900-180  | 300          | 400          | 900         | 180        |
| ZEY.SAD.(300+500)-900-180  | 300          | 500          | 900         | 180        |
| ZEY.SAD.(300+600)-900-180  | 300          | 600          | 900         | 180        |
| ZEY.SAD.(300+500)-1000-180 | 300          | 500          | 1000        | 180        |
| ZEY.SAD.(400+500)-1200-200 | 400          | 500          | 1200        | 200        |
| ZEY.SAD.(400+600)-1200-200 | 400          | 600          | 1200        | 200        |
| ZEY.SAD.(400+700)-1200-200 | 400          | 700          | 1200        | 200        |



## WALL MOUNT DIST. PANELS

### WALL MOUNT DIST. PANELS



#### Product Specs

**Body:** Monoblock

**Colour:** RAL7035 E. Static Powder Coating

**Steel Thickness:** 1-1,5 mm DKP Steel

**Cover Thickness:** 1-1,5 mm DKP Steel

**Index of Protection:** IP 40

**Cover Gasket:** Cast Seal

**Options:** Special Request will be available



## WALL TYPE 1 CUBICLE DIST. PANELS

| Order Code          | Dimensions |             |            |
|---------------------|------------|-------------|------------|
|                     | Width (mm) | Height (mm) | Depth (mm) |
| ZEY.SÜD.300-350-150 | 300        | 350         | 150        |
| ZEY.SÜD.300-400-150 | 300        | 400         | 150        |
| ZEY.SÜD.400-400-150 | 400        | 400         | 150        |
| ZEY.SÜD.350-500-150 | 350        | 500         | 150        |
| ZEY.SÜD.400-500-150 | 400        | 500         | 150        |
| ZEY.SÜD.450-550-150 | 450        | 550         | 150        |
| ZEY.SÜD.400-600-150 | 400        | 600         | 150        |
| ZEY.SÜD.450-600-150 | 450        | 600         | 150        |
| ZEY.SÜD.500-650-150 | 500        | 650         | 150        |
| ZEY.SÜD.500-700-150 | 500        | 700         | 150        |
| ZEY.SÜD.500-800-150 | 500        | 800         | 150        |
| ZEY.SÜD.400-600-180 | 400        | 600         | 180        |
| ZEY.SÜD.450-600-180 | 450        | 600         | 180        |
| ZEY.SÜD.500-650-180 | 500        | 650         | 180        |
| ZEY.SÜD.500-700-180 | 500        | 700         | 180        |
| ZEY.SÜD.500-800-180 | 500        | 800         | 180        |
| ZEY.SÜD.600-700-180 | 600        | 700         | 180        |
| ZEY.SÜD.600-850-180 | 600        | 850         | 180        |
| ZEY.SÜD.700-800-180 | 700        | 800         | 180        |
| ZEY.SÜD.700-900-180 | 700        | 900         | 180        |
| ZEY.SÜD.800-900-180 | 800        | 900         | 180        |



## WALL TYPE 2 CUBICLES DIST. PANELS

| Order Code                 | Dimensions   |              |             |            |
|----------------------------|--------------|--------------|-------------|------------|
|                            | Width 1 (mm) | Width 2 (mm) | Height (mm) | Depth (mm) |
| ZEY.SÜD.(300+400)-550-150  | 300          | 400          | 550         | 150        |
| ZEY.SÜD.(300+400)-700-180  | 300          | 400          | 700         | 180        |
| ZEY.SÜD.(300+500)-700-180  | 300          | 500          | 700         | 180        |
| ZEY.SÜD.(300+600)-700-180  | 300          | 600          | 700         | 180        |
| ZEY.SÜD.(300+400)-900-180  | 300          | 400          | 900         | 180        |
| ZEY.SÜD.(300+500)-900-180  | 300          | 500          | 900         | 180        |
| ZEY.SÜD.(300+600)-900-180  | 300          | 600          | 900         | 180        |
| ZEY.SÜD.(300+500)-1000-180 | 300          | 500          | 1000        | 180        |
| ZEY.SÜD.(400+500)-1200-200 | 400          | 500          | 1200        | 200        |
| ZEY.SÜD.(400+600)-1200-200 | 400          | 600          | 1200        | 200        |
| ZEY.SÜD.(400+700)-1200-200 | 400          | 700          | 1200        | 200        |



## ELECTRIC METERS PANELS

### STANDING MODULAR ELECTRIC METERS PANELS

| Order Code            | Electric meter     | Dimensions                            |             |            |
|-----------------------|--------------------|---------------------------------------|-------------|------------|
|                       |                    | Width (mm)                            | Height (mm) | Depth (mm) |
| <b>ZEY.SPDT.4-9</b>   | 4-9 METERS PANEL   | 900                                   | 2050        | 400        |
| <b>ZEY.SPDT.10-12</b> | 10-12 METERS PANEL | (400+700)                             | 2050        | 400        |
| <b>ZEY.SPDT.13-16</b> | 13-16 METERS PANEL | (400+900)                             | 2050        | 400        |
| <b>ZEY.SPDT.17-18</b> | 17-18 METERS PANEL | (400+500+900)                         | 2050        | 400        |
| <b>ZEY.SPDT.19-21</b> | 19-21 METERS PANEL | (500+700+900)                         | 2050        | 400        |
| <b>ZEY.SPDT.22-24</b> | 22-24 METERS PANEL | (500+900+900)                         | 2050        | 400        |
| <b>ZEY.SPDT.25-27</b> | 25-27 METERS PANEL | (800+900+900)                         | 2050        | 400        |
| <b>ZEY.SPDT.28-30</b> | 28-30 METERS PANEL | (500+500+900+900)                     | 2050        | 400        |
| <b>ZEY.SPDT.31-33</b> | 31-33 METERS PANEL | (500+700+900+900)                     | 2050        | 400        |
| <b>ZEY.SPDT.34-36</b> | 34-36 METERS PANEL | (500+900+900+900)                     | 2050        | 400        |
| <b>ZEY.SPDT.37-39</b> | 37-39 METERS PANEL | (800+900+900+900)                     | 2050        | 400        |
| <b>ZEY.SPDT.40-42</b> | 40-42 METERS PANEL | (500+500+900+900+900)                 | 2050        | 400        |
| <b>ZEY.SPDT.43-45</b> | 43-45 METERS PANEL | (500+700+900+900+900)                 | 2050        | 400        |
| <b>ZEY.SPDT.46-48</b> | 46-48 METERS PANEL | (500+900+900+900+900)                 | 2050        | 400        |
| <b>ZEY.SPDT.49-51</b> | 49-51 METERS PANEL | (800+900+900+900+900)                 | 2050        | 400        |
| <b>ZEY.SPDT.52-54</b> | 52-54 METERS PANEL | (500+500+900+900+900+900)             | 2050        | 400        |
| <b>ZEY.SPDT.55-57</b> | 55-57 METERS PANEL | (500+700+900+900+900+900)             | 2050        | 400        |
| <b>ZEY.SPDT.58-60</b> | 58-60 METERS PANEL | (500+900+900+900+900+900)             | 2050        | 400        |
| <b>ZEY.SPDT.72</b>    | 72 METERS PANEL    | (500+900+900+900+900+900+900)         | 2050        | 400        |
| <b>ZEY.SPDT.84</b>    | 84 METERS PANEL    | (500+900+900+900+900+900+900+900)     | 2050        | 400        |
| <b>ZEY.SPDT.96</b>    | 96 METERS PANEL    | (500+900+900+900+900+900+900+900+900) | 2050        | 400        |

### STANDING MODULAR ELECTRIC METERS PANELS



#### Product Specs.

**Body:** %100 Modular

**Colour:** RAL7035 E. Static Powder Coating

**Steel Thickness:** 1,5 - 2 mm Galvanized

**Cover Thickness:** 1,5 - 2 mm DKP Steel

**Index of Protection:** IP 40

**Cover Gasket:** Cast Seal

**Options:** Special Request will be available

## CONTROL & COMMAND (PULT) PANELS



| Order Code           | Dimensions |             |            |
|----------------------|------------|-------------|------------|
|                      | Width (mm) | Height (mm) | Depth (mm) |
| ZEY.PT.600-1000-400  | 600        | 1000        | 400        |
| ZEY.PT.700-1000-400  | 700        | 1000        | 400        |
| ZEY.PT.800-1000-400  | 800        | 1000        | 400        |
| ZEY.PT.1000-1000-400 | 1000       | 1000        | 400        |
| ZEY.PT.1200-1000-400 | 1200       | 1000        | 400        |

| Order Code           | Dimensions |             |            |
|----------------------|------------|-------------|------------|
|                      | Width (mm) | Height (mm) | Depth (mm) |
| ZEY.PT.600-1200-400  | 600        | 1200        | 400        |
| ZEY.PT.700-1200-400  | 700        | 1200        | 400        |
| ZEY.PT.800-1200-400  | 800        | 1200        | 400        |
| ZEY.PT.1000-1200-400 | 1000       | 1200        | 400        |
| ZEY.PT.1200-1200-400 | 1200       | 1200        | 400        |

### Product Specs.

**Body:** Semi- Modular

**Colour:** RAL7035 E. Static Powder Coating

**Steel Thickness:** 2 mm DKP Steel

**Cover Thickness:** 2 mm DKP Steel

**Index of Protection:** IP 54

**Cover Gasket:** Cast Seal

**Options:** Special Request will be available











**FACTORY**

ASO 1. OSB Kırım Hanlığı Caddesi No : 13

06630 Sincan – Ankara / Turkey

Phone: +90 312 267 15 43

Fax : +90 312 267 17 03

[export@zeybekgrup.com](mailto:export@zeybekgrup.com)

[bilgi@zeybekgrup.com](mailto:bilgi@zeybekgrup.com)

[www.zeybekgrup.com](http://www.zeybekgrup.com)

[www.bestrack.com.tr](http://www.bestrack.com.tr)